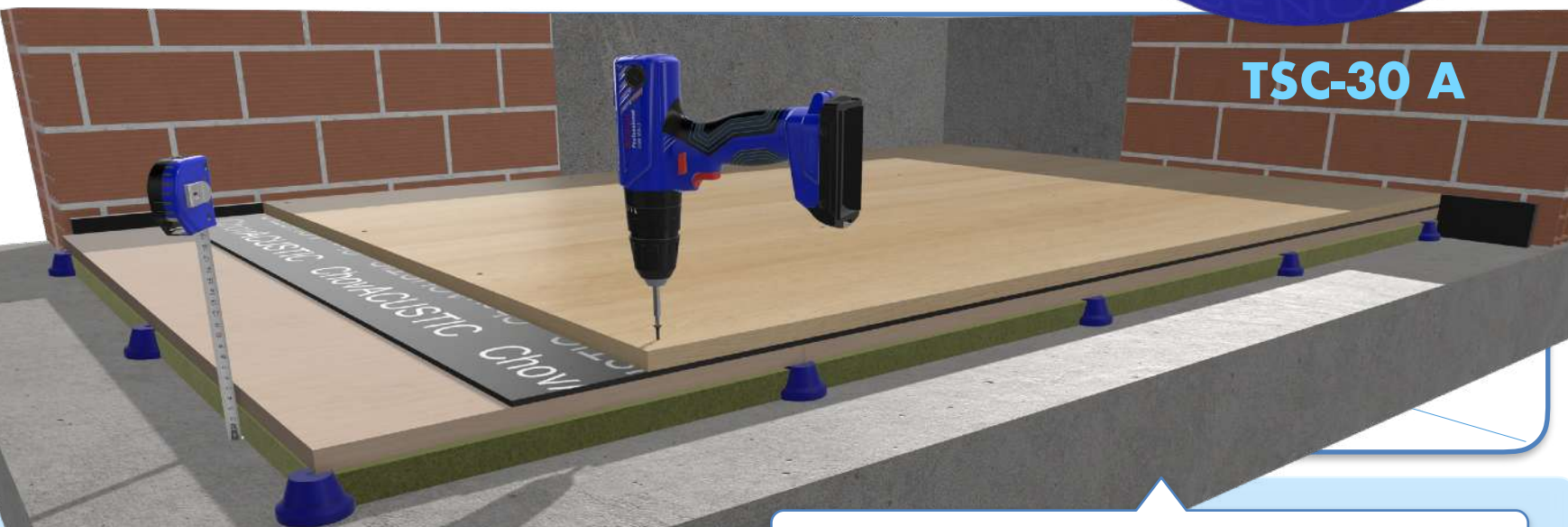


TSC-30 A

RUBBER MOUNT WITH RESTRAINT SYSTEM FOR LIGHT WEIGHT ACOUSTIC FLOORS

This model is a **RUBBER** wall mount for acoustic floors devised to provide quality to any given acoustic system and to eradicate sound frequencies and vibrations.

The **SE-TSC-30 A** includes a **PATENTED** restraint system (three rings in its base) acting as a suction pad which limits the movement and make sure the grip to the floor. It is designed in the shape of trapezium improving the elasticity of the system and proving an excellent performance in the soundproofing field.



Suggested use: rubber mount for light weight floors with MDF wood boards or similars.

This type of polymer has a better damping result than other rubbers such as polyurethane, polystyrene, EPDM, among others.

REF	COLOUR	THICKNESS (mm)	USES	LOAD (kg) MIN-MAX	PACKING (Units)
SE-TSC-30 A/60		30	Acoustic floors	15 - 40	60

I+D+i

*This product has been registered in the Spanish Patents and Trademarks Office

SCAN ME



Quality of the polymer

● Polymer: **KRAIBURG-TPE - TC5/EXN** (tested according to the Standard **UNE-EN ISO 10846-1:2009**).

✓ Resonance frequency: **7-15 Hz**.

✓ Recommended load range: **15 kg - 40 kg**.



Predicción de Impacto Sonoro (v8.0.1)

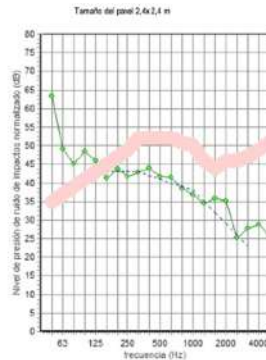
Derechos de autor del programa Marshall Day Acoustics 2014

- Key No. 6719

Margen de error de Predicción de Impacto Sonoro está generalmente entre $L_{n,w} \pm 5$ dB

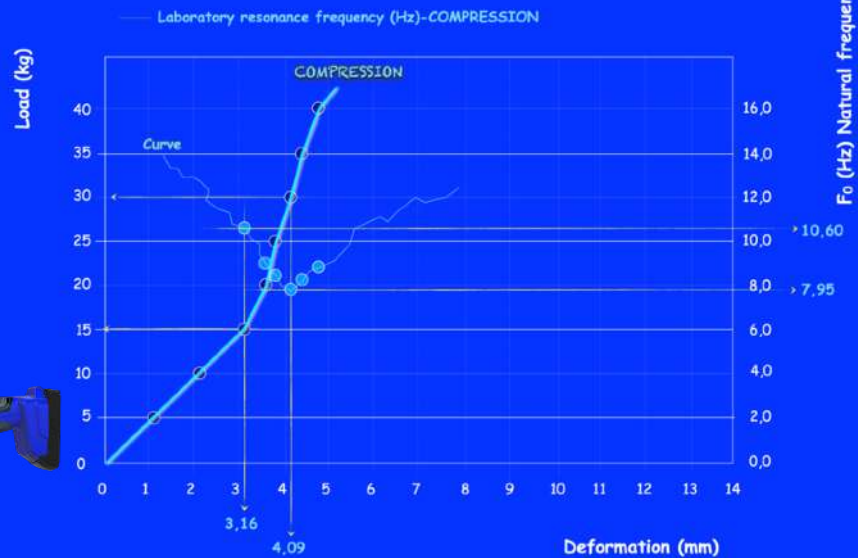


Frecuencia (Hz)	Ln(dB)	Ln(dB)
50	63	
63	49	63
80	45	
100	48	
125	46	51
160	41	
200	44	
250	42	48
315	43	
400	44	
500	42	47
630	42	
800	39	
1000	37	42
1250	35	
1600	36	
2000	35	39
2500	25	
3150	28	
4000	29	32
5000	26	



Laboratory test UNE-EN ISO 10846-1:2009

STATIC LOAD DEFORMATION



$L_{n,w}$ 41 dB
 C_1 -2dB



Axial compression results

LOAD (kg)	DEFORMATION (mm)	RESONANCE FREQUENCY (Hz)	SWEEP (Hz)		SOUNDPROOFING LEVEL (%)	
15	3,16	10,60	25	50	78,08	95,29
20	3,54	9,25	25	50	84,14	96,46
25	3,74	8,52	25	50	86,86	97,01
30	4,09	7,95	25	50	88,75	97,41
35	4,38	8,25	25	50	87,78	97,20
40	4,78	8,90	25	50	85,49	96,73



TC5EXN

THERMOLAST® K

Products properties

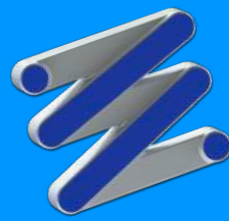
Name of the product	TC5EXN
Colour / RAL DESIGN	Blue
Processing method	Extrusion, Injection Molding

Mechanical properties

Hardness	46+ Shore A	DIN ISO 7619-1
Density	1.176 g/cm ³	DIN EN ISO 1183-1
Tensile Strength ¹	6.3 MPa	DIN 53504/ISO 37
Elongation at Break ¹	825 %	DIN 53504/ISO 37

¹Deviating from ISO 37 standard test piece S2 is tested with a traverse speed of 200 mm/min.

All values published in this data sheet are rounded average values.



SENOR



Youtube

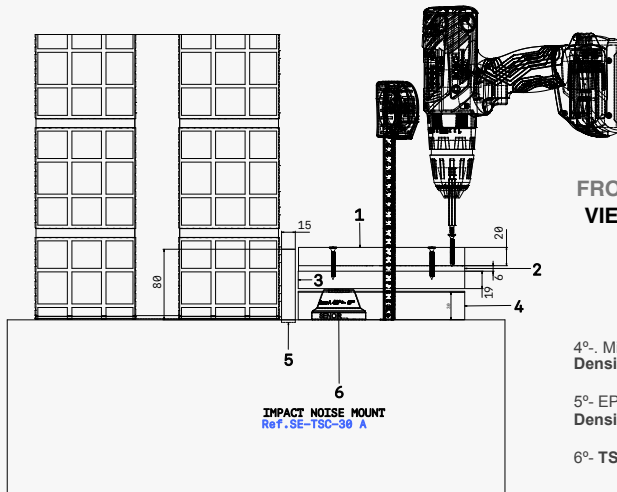
SENOR Aisladores Acústicos

Ref. SE-TSC-30 A

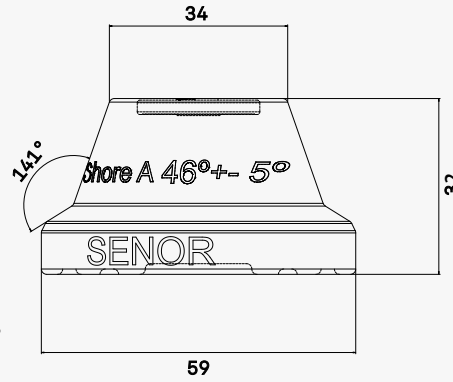
1º- MDF board with a thickness of 19 mm. Density: > 650 kg/m³.

2º- ViscoLAM-100 (acoustic membrane) with a thickness of 6 mm.
Density: < 1650 kg/m³.

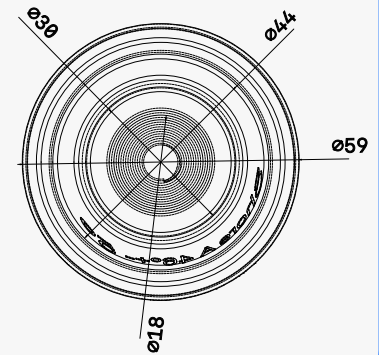
3º-. MDF board with a thickness of 19 mm. Density: > 650 kg/m³.



FRONT
VIEW



PLAN
VIEW



4º-. Mineral wool (Arena APTA) with a thickness of 30 mm.
Density: < 30 kg/m³.

5º- EPDM CR-140 Acoustic band with a thickness of 15 mm.
Density > 160 kg/m³.

6º- TSC-30 A: Impact noise mount.

3D
VIEW

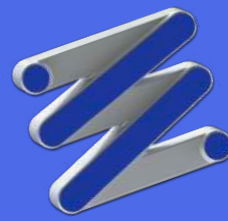


MATERIALS

This acoustic mount is composed of:

- A: The polymer: **KRAIBURG-TPE / TC5EXN**. Hardness: 46 +- 5° SHORE A. Colour: **Blue**. Hardness according to the Standard ISO 48-4 o DIN ISO 7619-1.

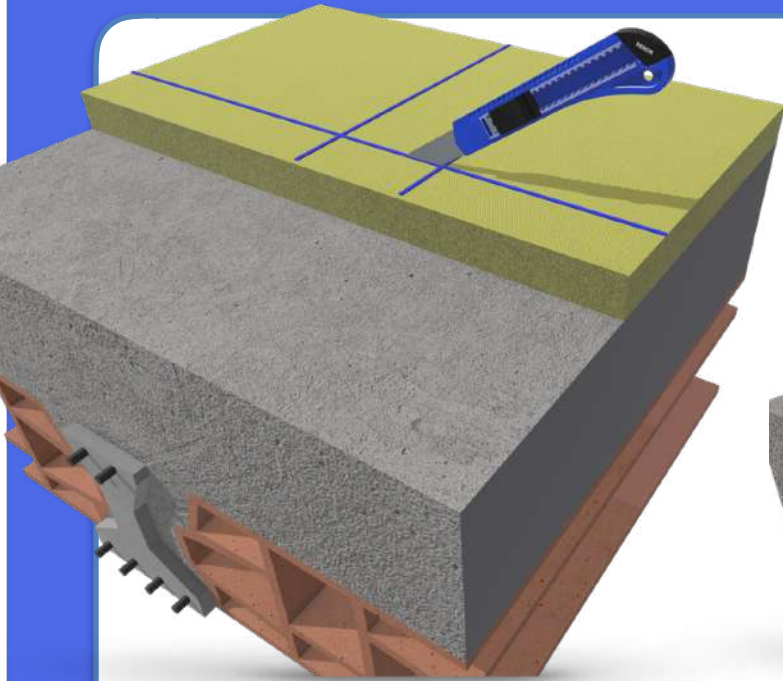




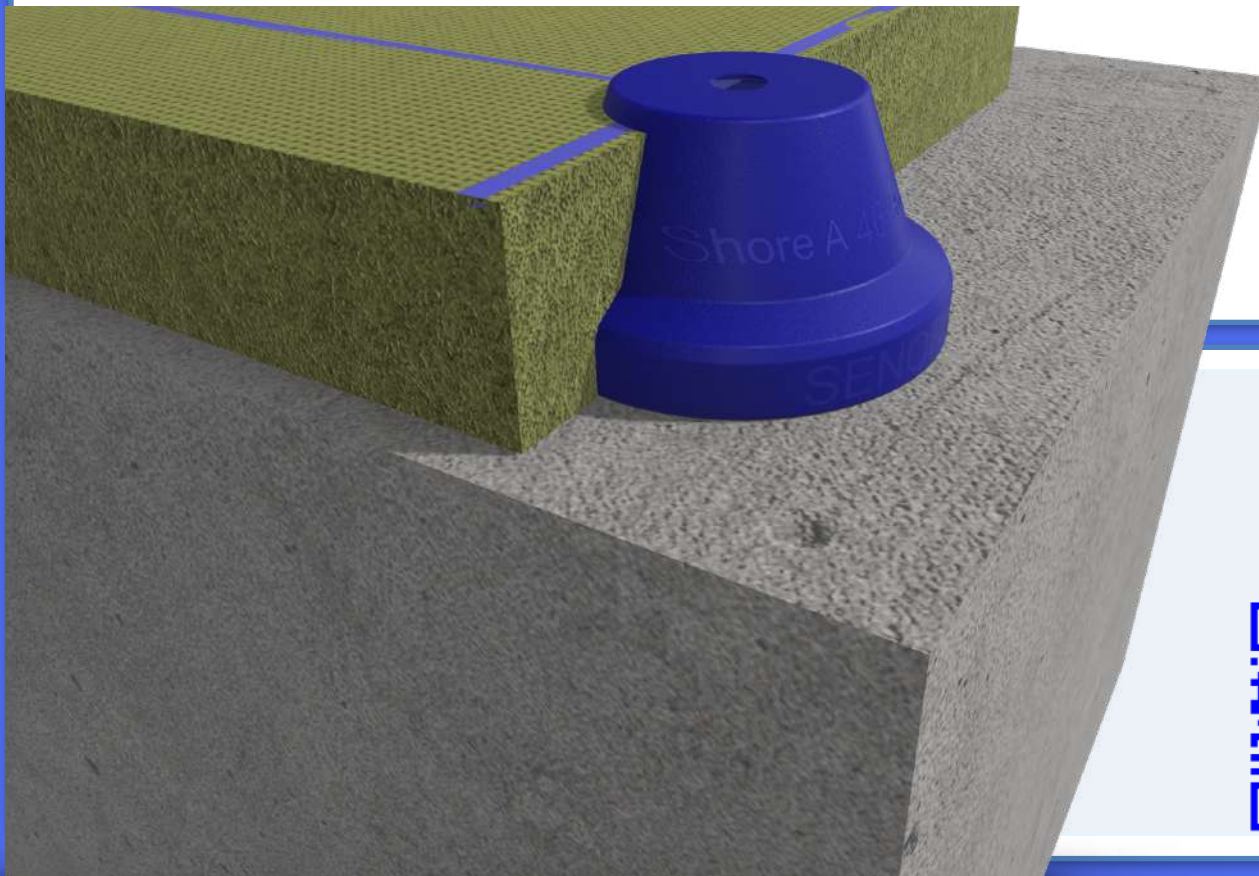
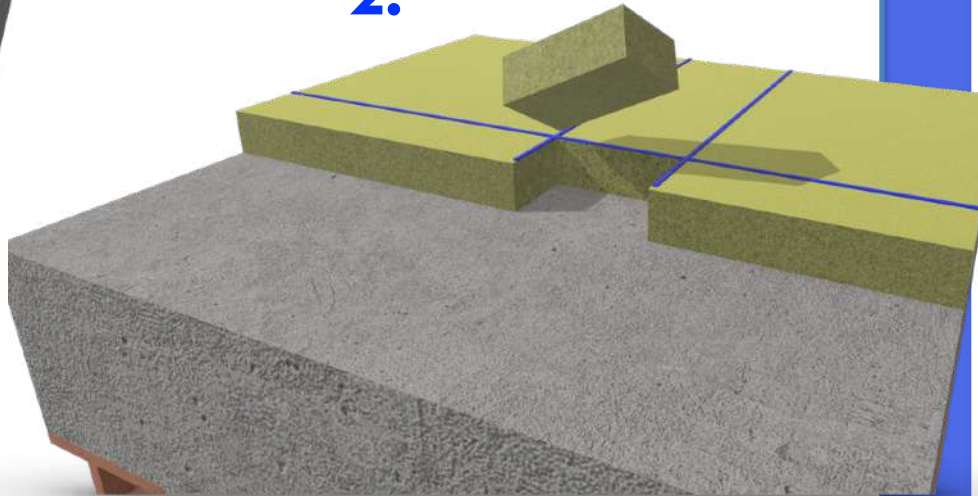
Ref. SE-TSC-30 A

Installation

1.



2.



3.

SCAN ME

