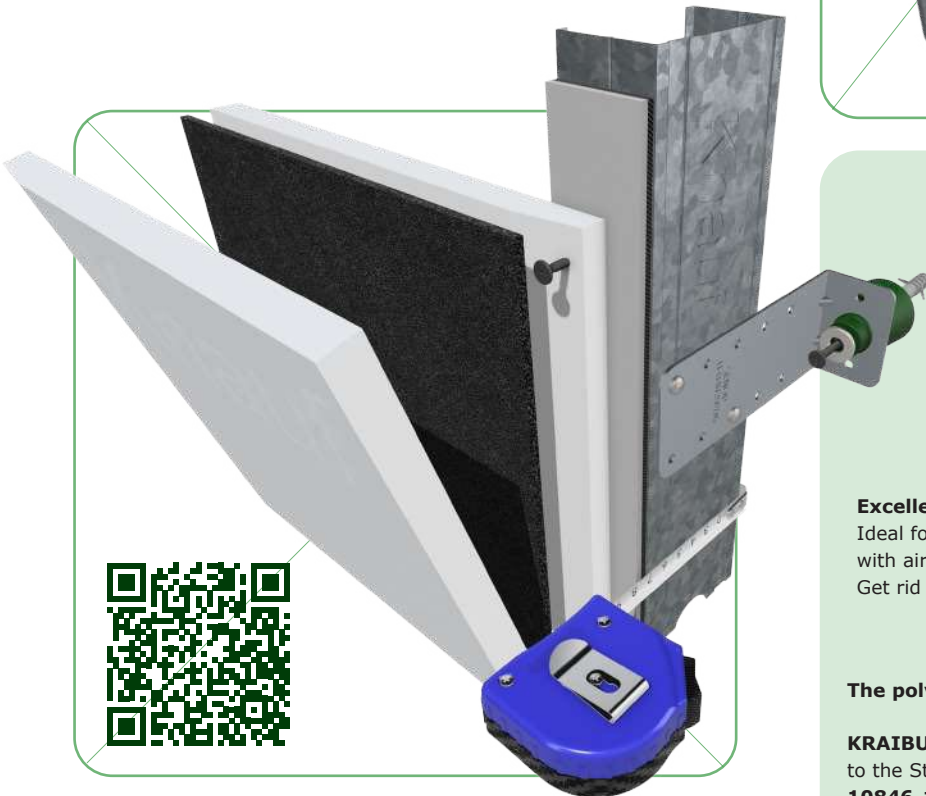


# 3800/TD1 + TA

## RUBBER WALL MOUNT WITH FASTENING FOR WALL LINING SYSTEMS

This model is a **RUBBER** wall mount for wall lining systems devised to provide quality to any given acoustic system and to eradicate sound frequencies and vibrations.

**SE-3800/TD1 + TA** has a **PATENTED** control system which allows the metal bracket to be moved in both directions. By using the screwed fastening, the metal bracket can be moved and the polymer is compressed in both directions. **LAB-TESTED RESULTS.**



**The steel bracket:** made according to the Standard **EN 10204/DIN50049 / ISO404.**

Transformation according to Iron and Steel Standard **EN 10346:2009.**

Quality: **DX51D+Z275 NA C.**  
**275gr/m<sup>2</sup>. Thickness: 1.5 mm**

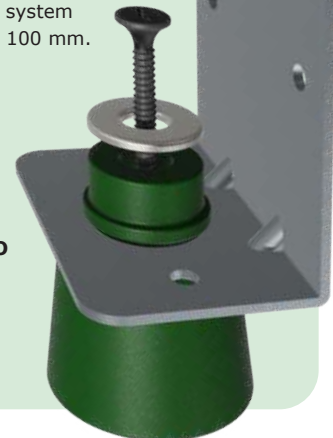
### Excellent soundproofing result!


Ideal for acoustic wall lining system with air chamber more than 100 mm.  
Get rid of noises!

### The polymer:

**KRAIBURG-TPE** (according to the Standard **UNE-EN ISO 10846-1:2009**).

**Resonance frequency:**  
7-15 Hz.



REF	COLOUR	THICKNESS (mm)	CHANNEL	LOAD (kg) MIN-MAX
SE-3800/TD1 + TA		1.5	Stud	5-32



\*SENR Antivibration Systems

**SENR** Products  
Acoustic wall lining system

# REF. SE-3800/TD1 + TA



ARQUITECTURA DE ACUSTICA  
Ereduzaren Kalitate Kontrolerako Laborategia  
Laboratorio de Control de Calidad de la Edificación



Airborne Sound Insulation according to EN ISO 10140-2:2010  
Laboratory Measurements

Applicant: SUSPENSIONES ELÁSTICAS DEL NORTE, S.L. (SENR)  
Result No.: B2020-122-M758 RA

Test date: 23<sup>rd</sup> October 2020

Test specimen: ACOUSTIC SELF-SUPPORTING WALL LINING (SENR + CHOVA) SE-BEC-6K100; SE-TAV-500/11A; SE-TAV-500/11R; SE-BEC-10X100; SE-MONT-BICAPA-40; SE-3802/03 TD1; CHOVANAPA; CHOVA VISCOELAM, ON LINED BLOCK WALL

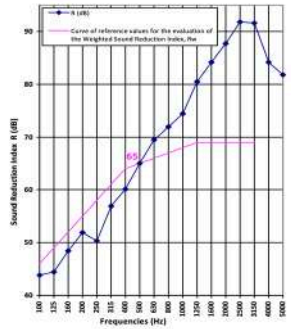
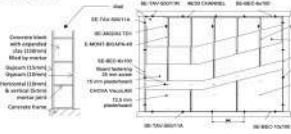
Estimated superficial mass: 325 kg/m<sup>2</sup>  
Test specimen area: 10,08 m<sup>2</sup>  
Source room volume: 65,3 m<sup>3</sup>  
Receiving room volume: 55,2 m<sup>3</sup>

T<sub>amb</sub>: 20,4 °C

HR<sub>amb</sub>: 53 %

P<sub>amb</sub>: 961 mbar

f (Hz)	R (dB)
100	43,8
125	44,4
160	48,4
200	51,9
250	50,3
315	56,9
400	60,1
500	65,0
630	69,5
800	71,9
1000	74,4
1250	80,5
1600	84,2
2000	87,7
2500	91,8
3150	91,6
4000	84,2
5000	81,8



Rating according to EN ISO 717-1:2013: R<sub>w</sub> (C<sub>50</sub>): 65 (-2; -7) dB

Rating according to CTE DB-HR: R<sub>a</sub>: 64,1 dBA

R<sub>a</sub>tr: 57,8 dBA

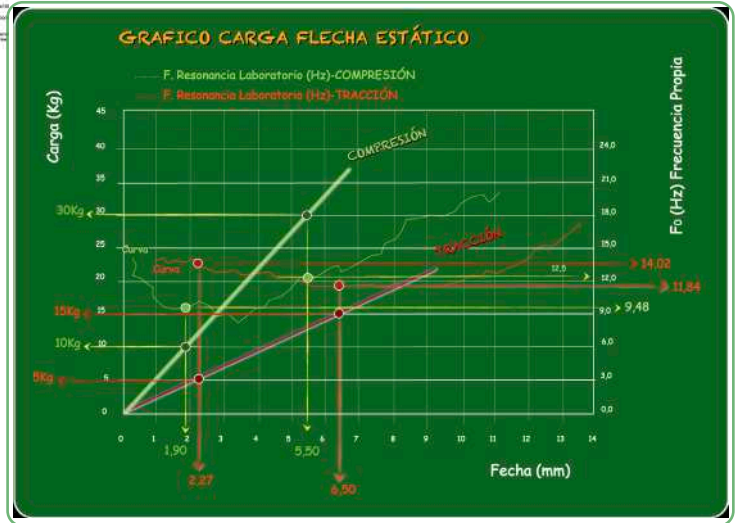
Evaluation based on laboratory measurement results obtained by an engineering method

\*R<sub>w</sub> is indicated value (measurement limit by approx. designator) and R<sub>w</sub> is 2000 Hz + 65,2 dB, 2500 Hz + 51,2 dB \* R<sub>a</sub> is indicated value (measurement limit by approx. R<sub>a</sub> is 4000 Hz + 96,1 dB, 5000 Hz: 94,1 dB

Test Report No. B2020-LACUS-IN-122-2\_A\_En

Page 14 of 14

## LABORATORY Test UNE-EN ISO 10846-1:2009



### Results: Axial compression

LOAD (kg)	DEFORMATION (mm)	RESONANCE.F (Hz)	SWEEP (mm)		% SOUNDPROOFING (mm)	
10	1,90	9,48	25	50	83,21	96,27
20	3,75	8,68	25	50	86,29	96,89
30	5,50	12,10	25	50	69,41	93,78

### Results: Axial traction

LOAD (kg)	DEFORMATION (mm)	RESONANCE.F (Hz)	SWEEP (mm)		% SOUNDPROOFING (mm)	
5	2,27	14,02	25	50	54,12	91,47
10	4,22	11,92	25	50	70,58	93,97
15	6,50	11,84	25	50	71,08	94,06



Data sheet

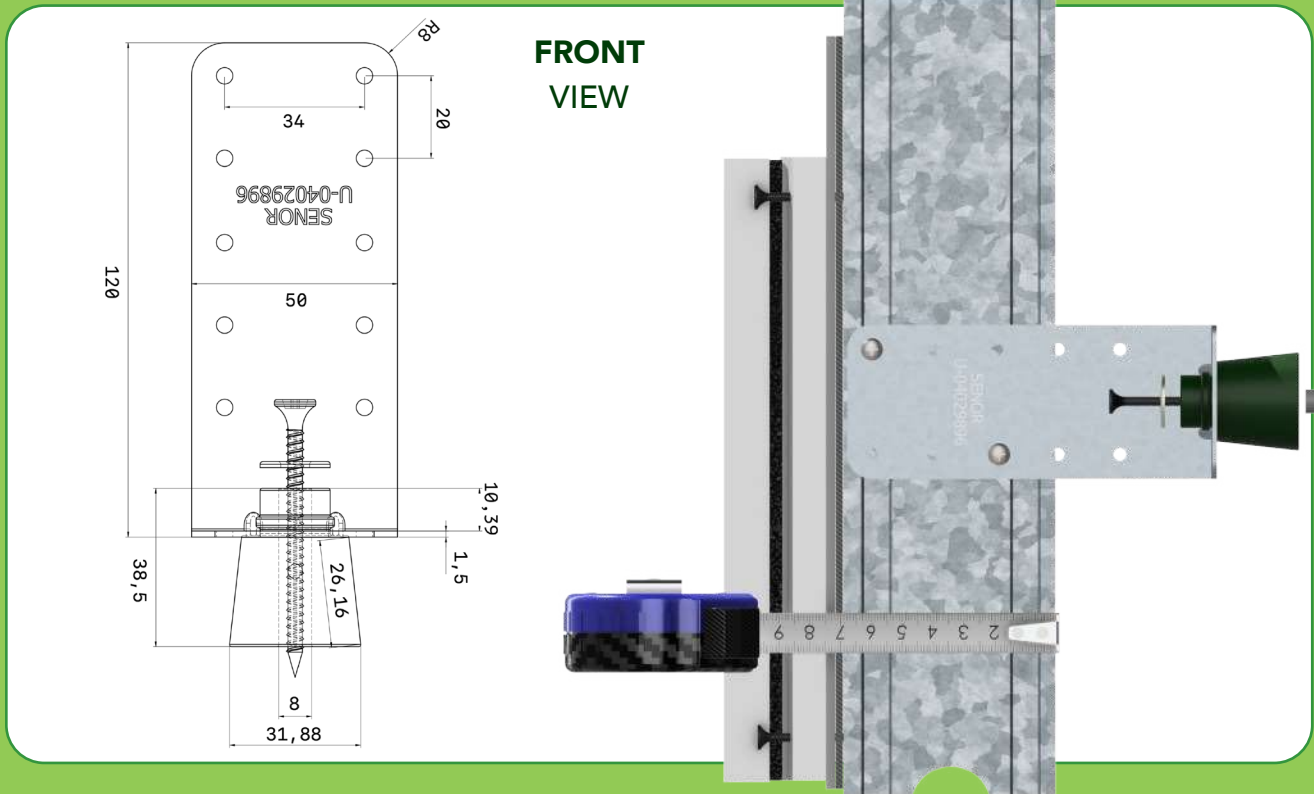
TC4GPN (GP/FG Series)		THERMOLAST® K
<b>Product properties</b>		
Name	TC4GPN	
Series	GP/FG	
Colour / RAL DESIGN	Natural	
<b>Mechanical properties</b>		
Hardness	39 +- 5 ShoreA	DIN ISO 7619-1
Density	1.100 g/cm <sup>3</sup>	DIN EN ISO 1183-1
Tensile strength <sup>1</sup>	6.5 MPa	DIN 53504/ISO 37
Elongation at break <sup>1</sup>	800 %	DIN 53504/ISO 37
Tear resistance	14.0 N/mm	ISO 34-1 Methode B (b)(Graves)
CS 72 h/23 °C	12 %	DIN ISO 815-1 Method A
CS 24 h/70 °C	23 %	DIN ISO 815-1 Method A
CS 24 h/100 °C	59 %	DIN ISO 815-1 Method A

<sup>1</sup> Deviating from ISO 37 standard test piece S2 is tested with a traverse speed of 200 mm/min.

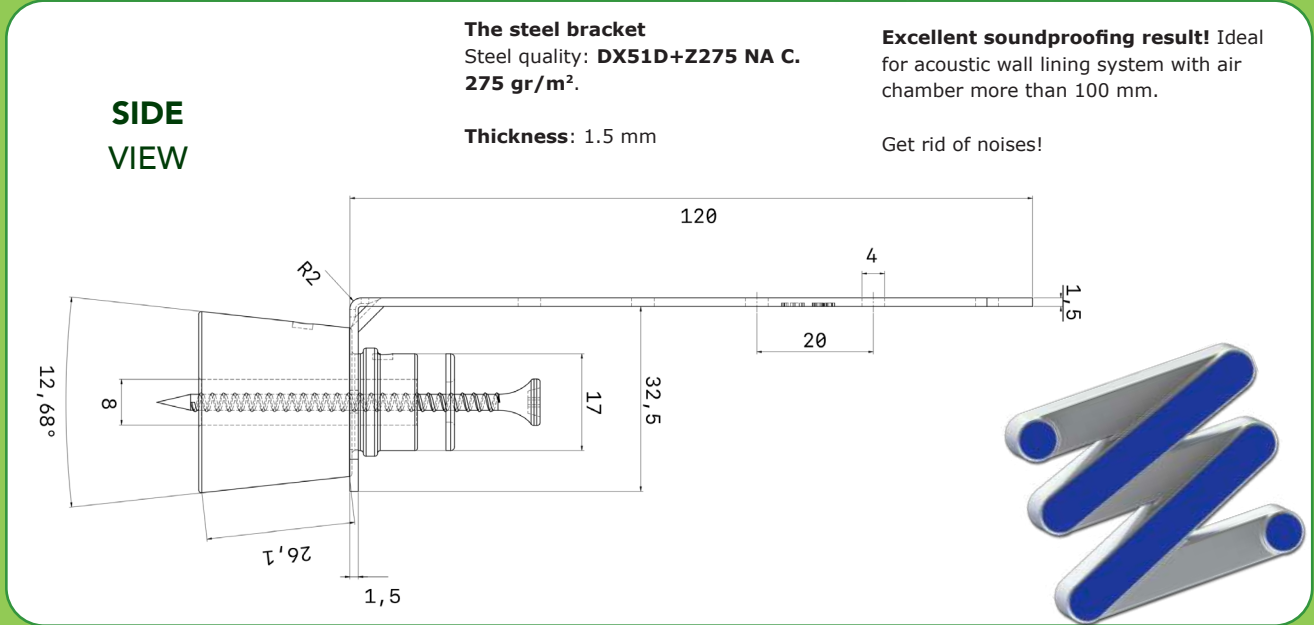
All values published in this data sheet are rounded average values.

**SENR** Products  
Acoustic Wall lining systems

# REF. SE-3800/TD1 + TA



**FRONT VIEW**



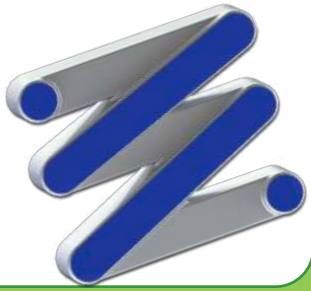
**SIDE VIEW**

**The steel bracket**  
Steel quality: **DX51D+Z275 NA C.**  
**275 gr/m<sup>2</sup>.**

**Thickness: 1.5 mm**

**Excellent soundproofing result!** Ideal for acoustic wall lining system with air chamber more than 100 mm.

Get rid of noises!

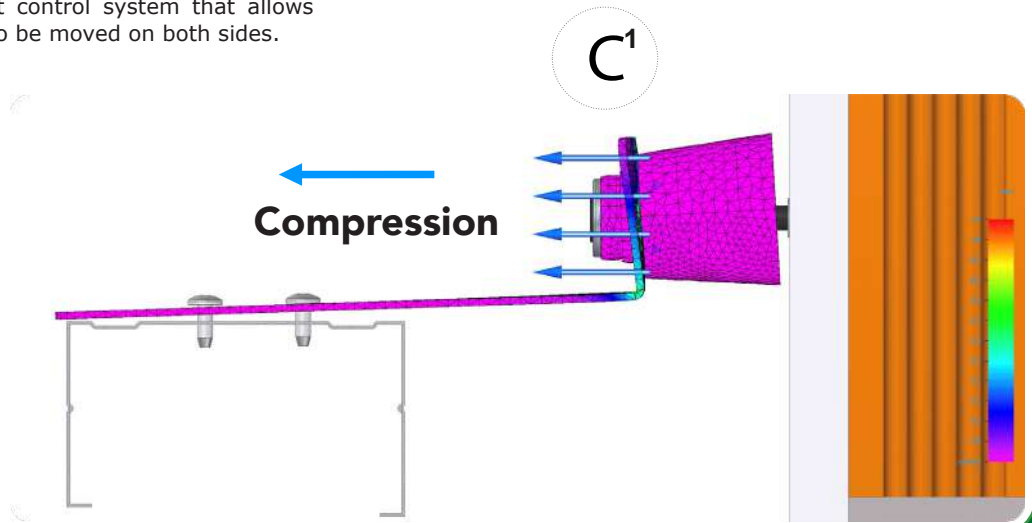


# REF. SE-3800/TD1 + TA

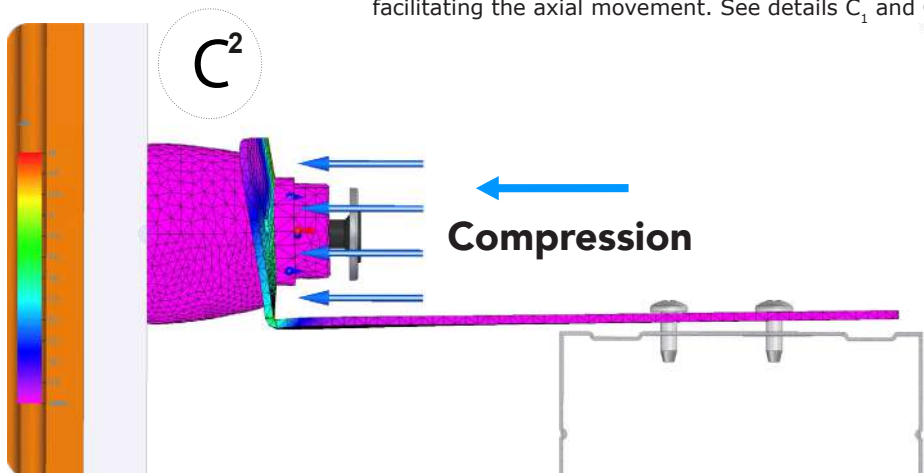
## OPTIMAL Performance

When an acoustic treatment is stimulated and starts vibrating, it generates a swinging movement. Therefore, we have to use a wall mount that allows axial compression in both directions.

The model **3800/TD1 + TA** incorporates a PATENTED movement control system that allows the metallic bracket to be moved on both sides.



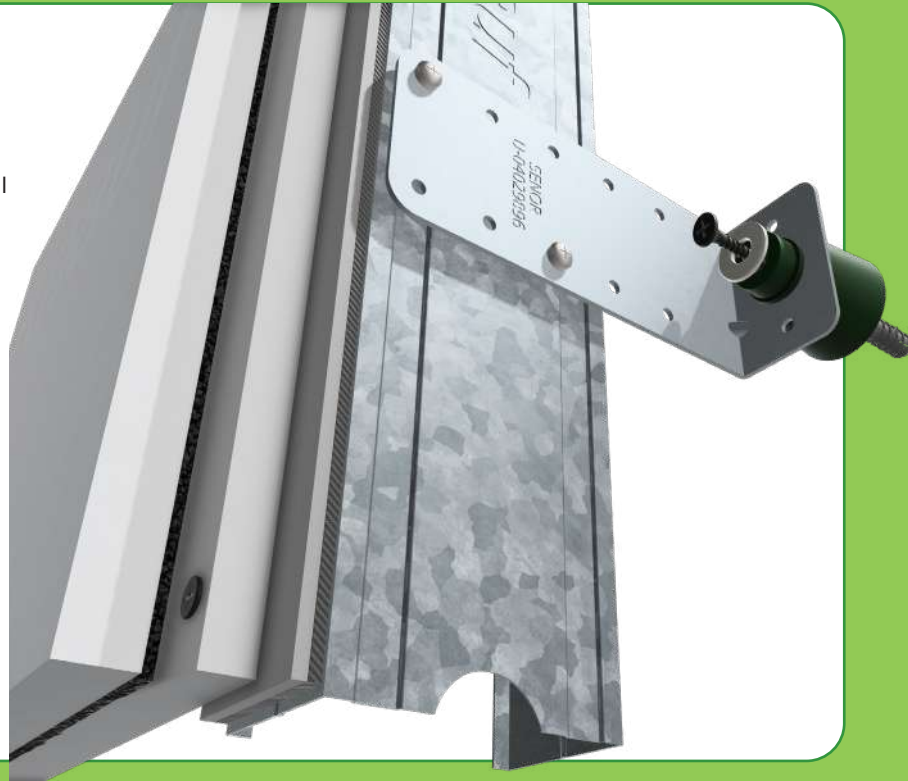
In this way, when the wall mount is fixed to the wall by using screws and steel washer it remains joined to the wall and makes the steel bracket free to do RUBBER compression in both directions. The steel shaft allows for limiting the movement and facilitating the axial movement. See details C<sub>1</sub> and C<sub>2</sub>



# REF. SE-3800/TD1 + TA

## Notice

**POSITIONS:** This acoustic mount is devised to work in both directions: axial compression (towards the wall) and axial compression (towards the stud).



### AXIAL Compression

C<sup>1</sup>/Load range: **5 kg - 15 kg** (maximum load)

(Strongly recommended not to exceed this limit in order to prevent overstressing the polymer).

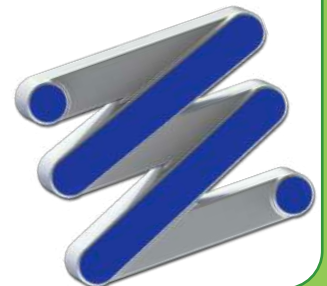
Resonance frequency: **7-15 Hz.**

### AXIAL Compression

C<sup>2</sup>/Load range: **5 kg - 30 kg** (maximum load)

(Strongly recommended not to exceed this limit in order to prevent overstressing the polymer).

Resonance frequency: **7-15 Hz.**





\*SENOR Antivibration Systems

SENOR Products  
Acoustic Wall lining systems

# REF. SE-3800/TD1 + TA



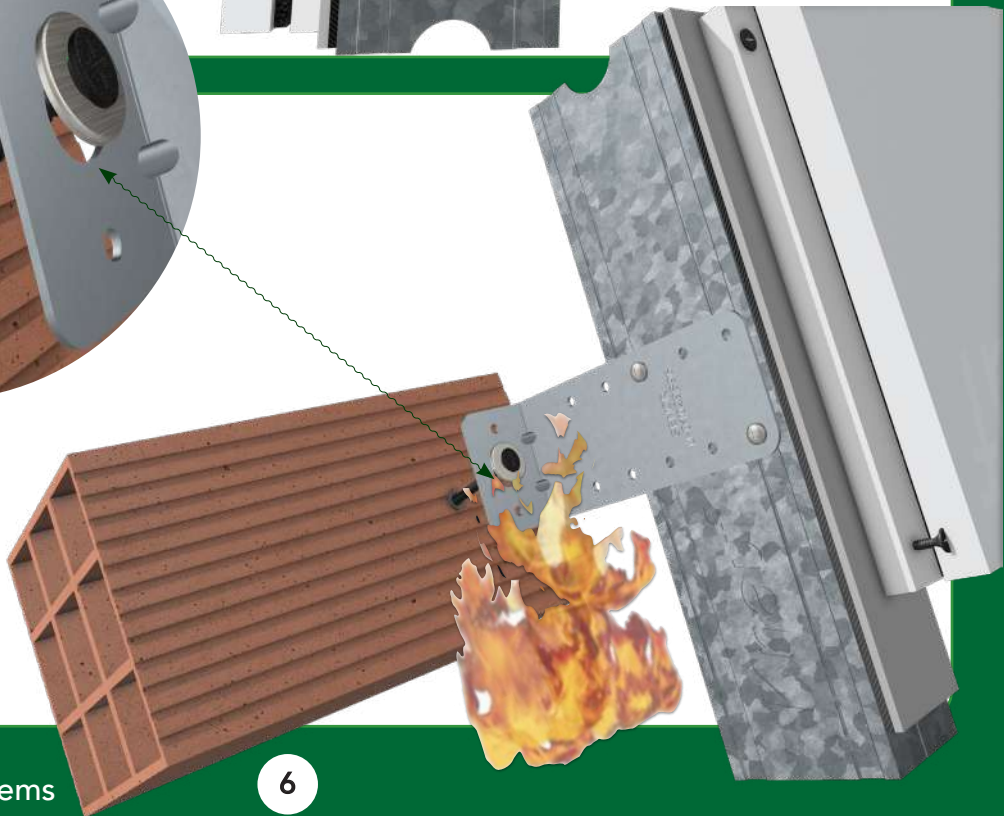
## Safety

The model **3800/TD1 + TA** has a steel screw (**TA**) to get maximum safety in case of **fire**. The polymer is desintegrated but due to the steel shaft, the fastening remains even if the acoustic system is heated to a high temperature (**120°**)

(MAXIMUM SAFETY)



**Screw + Steel washer (TA)**  
They prevent overstressing the system and guaranteeing a higher safety of the whole system.



SENOR Products  
Acoustic Wall lining systems

# REF. SE-3800/TD1 + TA

## SENOR certifies

All our products in the construction range included **ACOUSTIC WALL LINING SYSTEM** for the acoustic isolation in the bibro-mechanical transmission inside buildings have an optimal lifespan of 10 years provided that the installation is carried out under ordinary environmental conditions and are not exposed to chemical components that could degrade the product. The **3800/TD1 + TA** model strictly complies with UNE (Spanish Association for Standardization) **UNE 100-153-88**: air conditioning: vibration insulators: design criteria.

## Notice

**SENOR** reserves the right to make changes in specifications at any time without prior notice. It is a responsibility of the user to use the latest and updated version of the product data sheet. A copy of which will be available on request.

