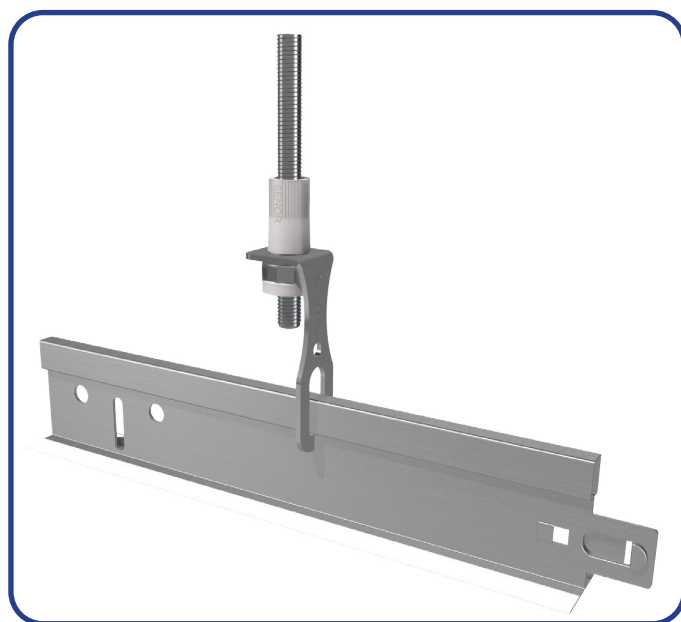


TRN-70



Product description and intended use

The **TRN-70** designed and produced by **SEÑOR** is a fastening piece made of 1.5 mm thickness high quality galvanized steel DX51D + Z275 MAC. It has a polypropylene bushing with a special nut (nut + washer). Thanks to the bushing material, thermal break is obtained. The special nut provides security in the event of over-temperature or overload.

Its main application is suspended ceiling installation using metal channels such as T-15, T24 or similars.

References

SE-TRN/704-M4: fastening piece (metric 4)

SE-TRN/706-M6: fastening piece (metric 6)

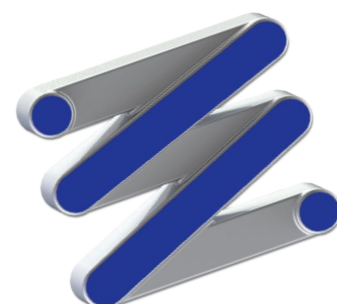
This product is available in 20 and 200 units boxes.

Installation video



Main benefits

- ✔ Easy and fast installation.
- ✔ It does not conduct electricity.
- ✔ It provides thermal break which avoids cold and heat transmission.
- ✔ Minimal loss of space.
- ✔ It avoids condensations due to temperature changes.
- ✔ Nuts are not needed. Therefore, the installation is faster.





MAXIMUM VERSATILITY

Turning the **TRN-70** it can also be used as a fastening element

