

# CONSTRUCTION Catalogue

## 2021

**HYBRID HANGER WITH  
DIRECT FASTENING TO PROFILE  
STIL PRIM-100**

Ref. SE-STRIB CAB 75 A



# SENIOR

# CONSTRUCTION Catalogue 2021

## HYBRID HANGER WITH DIRECT FASTENING TO PROFILE STIL PRIM-100

Ref. SE-STRIB CAB 75 A

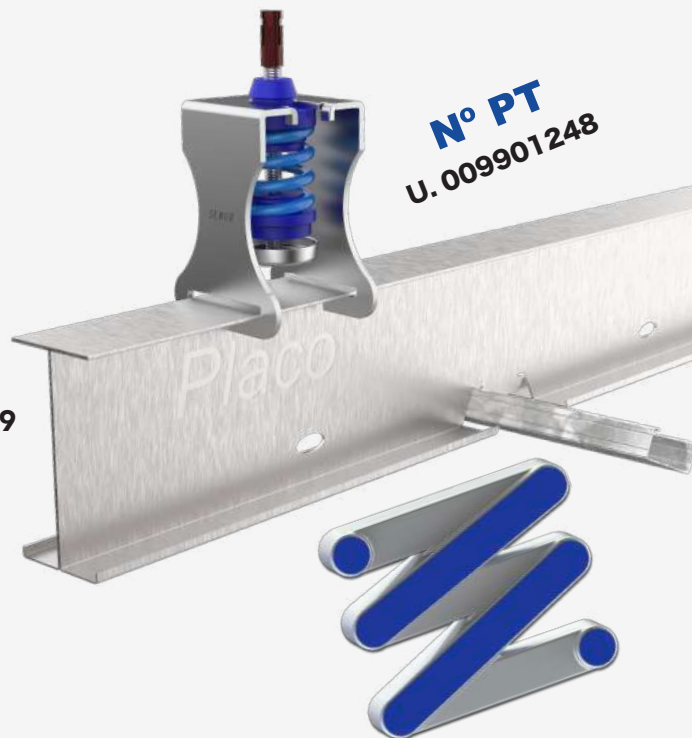
### Introduction

A **DIFFERENT** and **PROFESSIONAL** hanger. Higher performance in the least space. They are **HYBRID** hangers with locking stops named **CUG**. Our engineers work every day for your safety.

**STRIB CAB 75 A** is manufactured with high performance and renovated raw material providing improvements in the vibro-acoustic field.

**STRIB CAB 75 A** is more than a hanger. It is an acoustic hanger with fast adjustment to first profile **STIL PRIM 100**. The profile is fixed with a simple gesture making him an **innovative and unique product**.

We use the latest technology in the production such as: renovated polymers (**KRAIBURG-TPE**) tested according to **UNE-EN ISO 10846-1:2009** and placed in the sides on the steel spiral. The steel spring is manufactured according to **DIN 2095 UNE EN 10270**, with **BLUE EPOXY** treatment.



Manufacturer of **ANTIVIBRATION** systems



\*SENROR Aisladores Acústicos



# CONSTRUCTION Catalogue 2021

## HYBRID HANGER WITH DIRECT FASTENING TO PROFILE STIL PRIM-100

Ref. SE-STIRIB CAB 75 A

N° PT

U. 009901248

### ACOUSTIC / HYBRIDE Ceiling

**STEEL SPRING:** it provides a high level of insulation to vibrations in the range of low/medium frequencies (Hz).

**RENOVATED POLYMERS:** they have a better damping factor and a higher degree of insulation to vibration in the range of **medium/high** frequencies (Hz).

**COMBINATION:** the combination makes possible launch onto the market the best hanger of the moment and reduce the vibrations in the range of exciter frequencies.

It is available in several metrics: 6, 8 and 10.

### LOAD RANGE (KG)

It is recommended to loads between **30 kg** and **75 kg** of maximum load.

(Strongly recommended not to exceed this limit in order to prevent overstressing the polymer).

**RESONANCE** frequency: 3-7 Hz.

# CONSTRUCTION Catalogue

# 2021

N° PT

U. 009901248

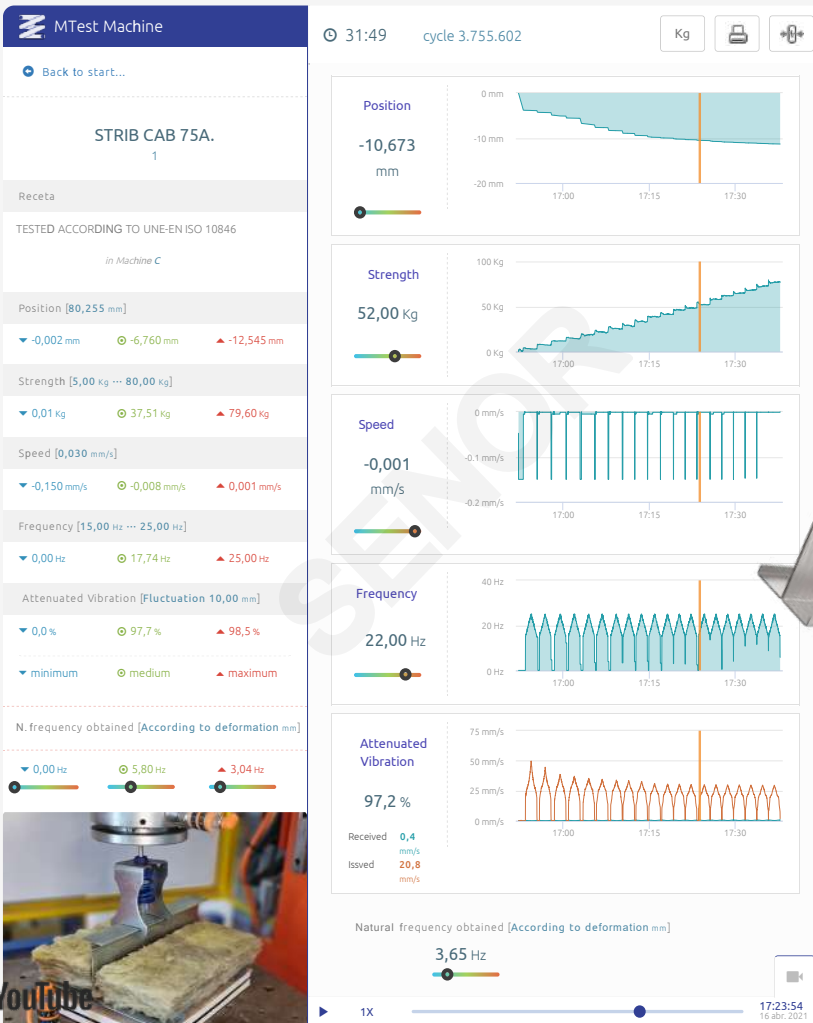
## HYBRID HANGER WITH DIRECT FASTENING TO PROFILE STIL PRIM-100

Ref. SE-STRIB CAB 75 A

### LABORATORY Test. UNE-EN ISO 10846-1:2009

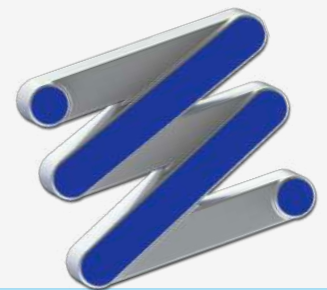
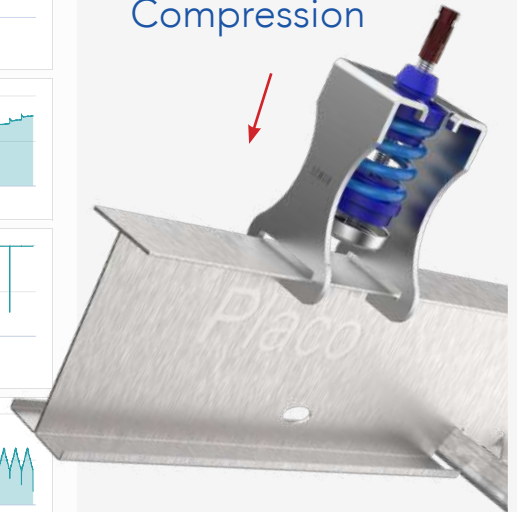
Acoustic and vibration. Measurement in the laboratory of vibro-acoustic transfer properties of elastic elements.

Manufacturer of **ANTIVIBRATION** systems

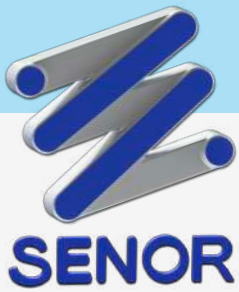


(D<sup>1</sup>)

Internal **Axial**  
Compression



\*SENOR Aisladores Acústicos



# CONSTRUCTION Catalogue 2021

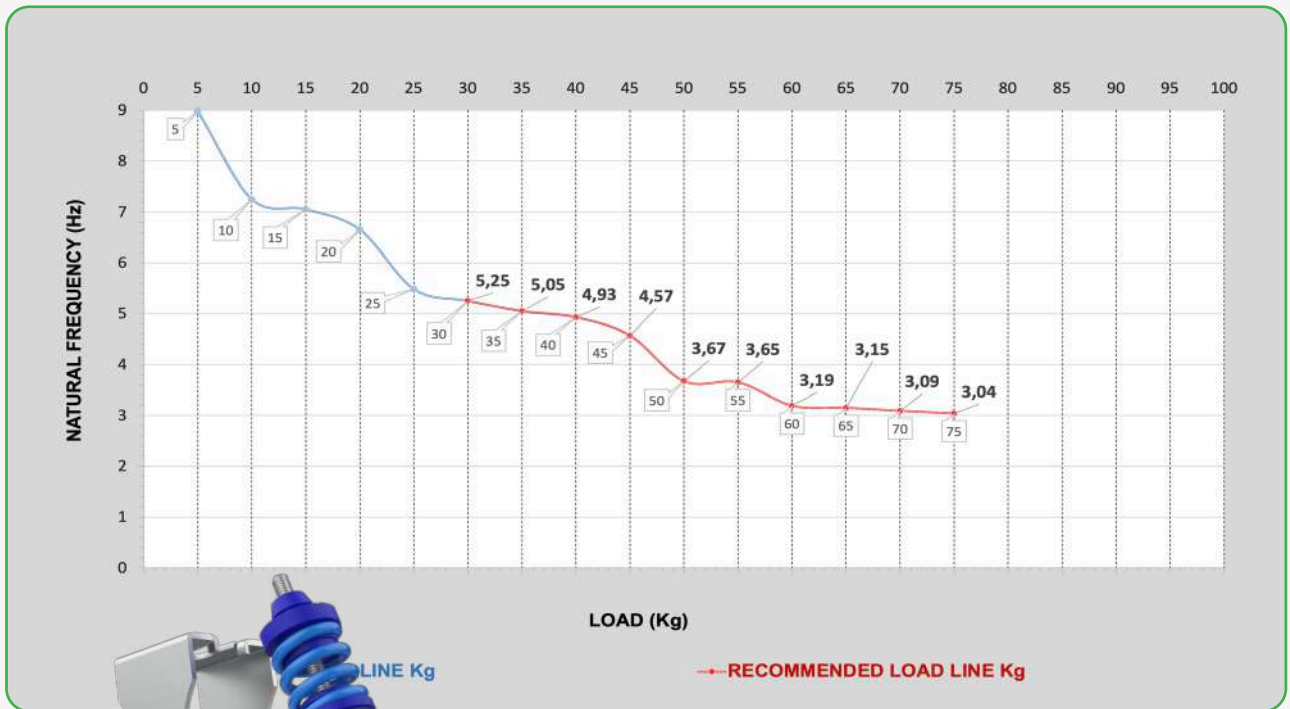
## HYBRID HANGER WITH DIRECT FASTENING TO PROFILE STIL PRIM-100

Ref. SE-STRIB CAB 75 A

### LABORATORY RESULTS

Chart 1

ACOUSTIC / HYBRID Ceiling



**N° PT**  
**U. 009901248**

BLUE: RUBBER & SPRING  
Available references

- 1°- SE-STRIB CAB 75 A/M6.
- 2°- **SE-STRIB CAB 75 A/M8.**
- 3°- SE-STRIB CAB 75 A/M10.

# CONSTRUCTION Catalogue

## 2021

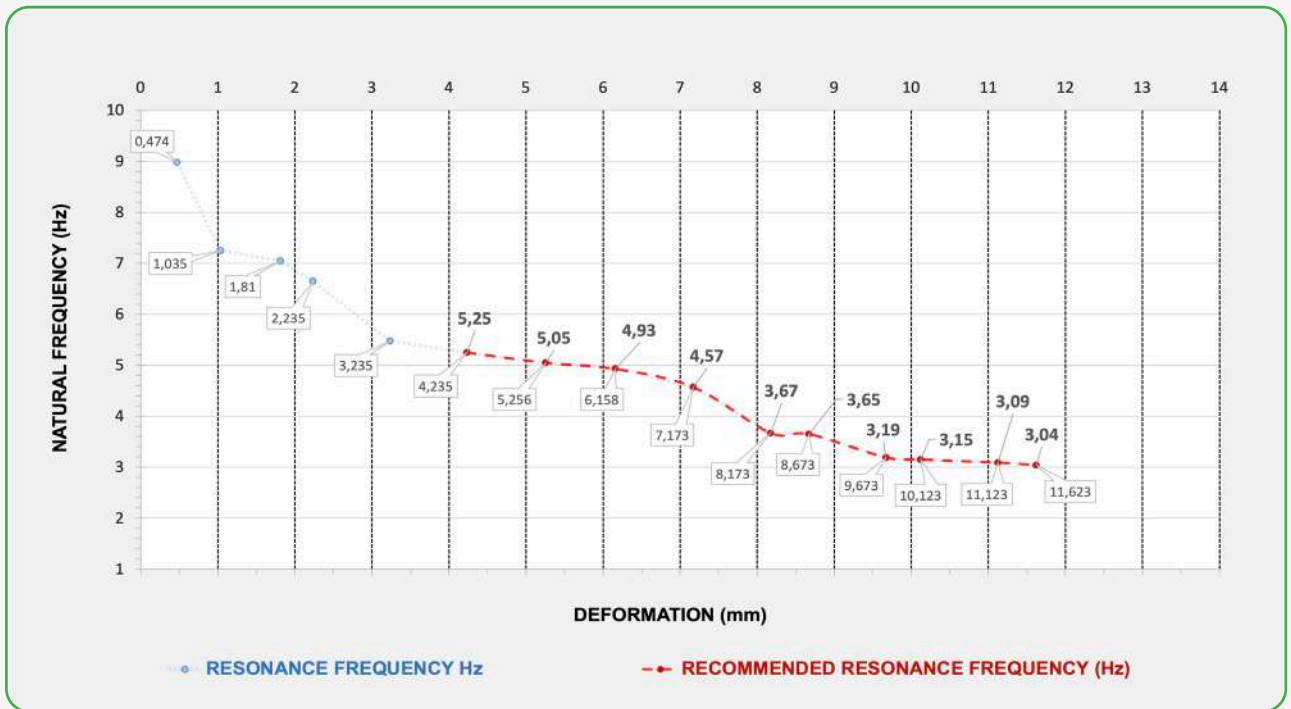
### HYBRID HANGER WITH DIRECT FASTENING TO PROFILE STIL PRIM-100

Ref. SE-STRIB CAB 75 A

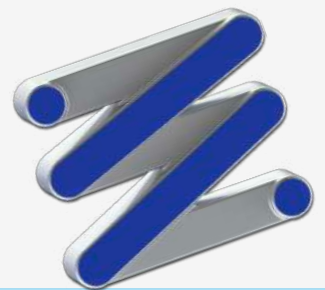
Manufacturer of **ANTIVIBRATION** systems

Chart 2

**ACOUSTIC / HYBRID** Ceiling



Ref.  
STRIB CAB 75 A



\*SENOR Aisladores Acústicos



# CONSTRUCTION Catalogue 2021

## HYBRID HANGER WITH DIRECT FASTENING TO PROFILE STIL PRIM-100 Ref. SE-STRIB CAB 75 A

Chart 3

### ACOUSTIC / HYBRID Ceiling



Ref.  
STRIB CAB 75 A

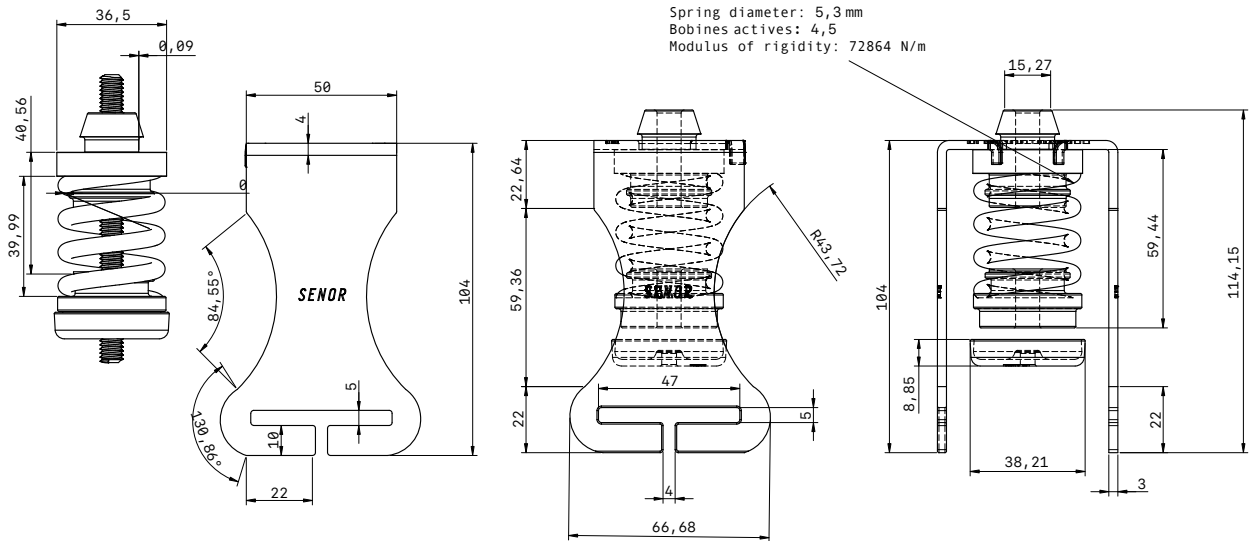
# CONSTRUCTION Catalogue 2021

## HYBRID HANGER WITH DIRECT FASTENING DIRECT TO PROFILE STIL PRIM-100

Ref. SE-STRIB CAB 75 A

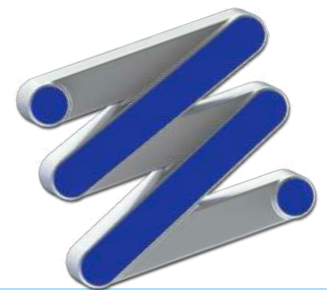
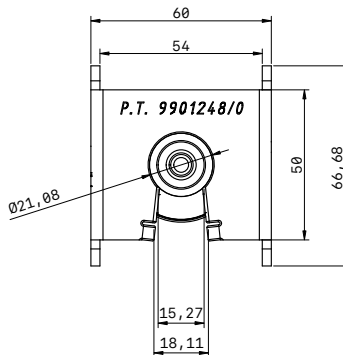
### DRAWING VIEWS

Manufacturer of **ANTIVIBRATION** systems



**N° PT**  
**U. 009901248**

TÍTULO STRIB CAB 75 A CATÁLOGO		
ÚLTIMA ACTUALIZACIÓN 04/22/21	UNIDADES mm	Hoja 1 / 1
PROYECCIÓN EN DIÉDRICO EUROPEO	ESCALA 1:1	TAMAÑO A2



\*SENOR Aisladores Acústicos





# CONSTRUCTION Catalogue 2021

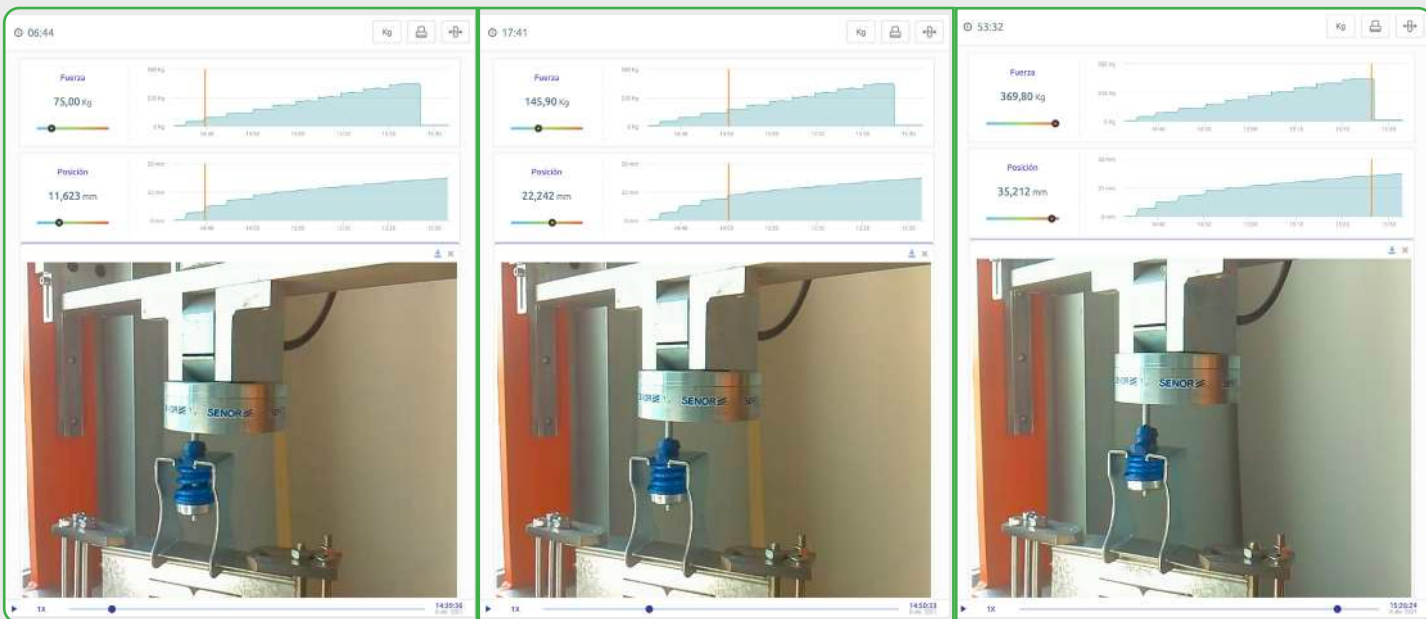
## HYBRID HANGER WITH DIRECT FASTENING TO PROFILE STIL PRIM-100

N° PT

Ref. SE-STRIB CAB 75 A

U. 009901248

Mechanical test **LABORATORY**



Test layout: 75 kg

Test layout: 145 kg

Test layout: 369 kg

**STRIB CAB 75 A**

**STRIB CAB 75 A**

**STRIB CAB 75 A**

In this test, the hanger is subjected to load inside the parameters designed to the product.

In this test, the hanger is subjected to load out of the parameters designed to the product.

We can see steel spring and polymers very compressed.

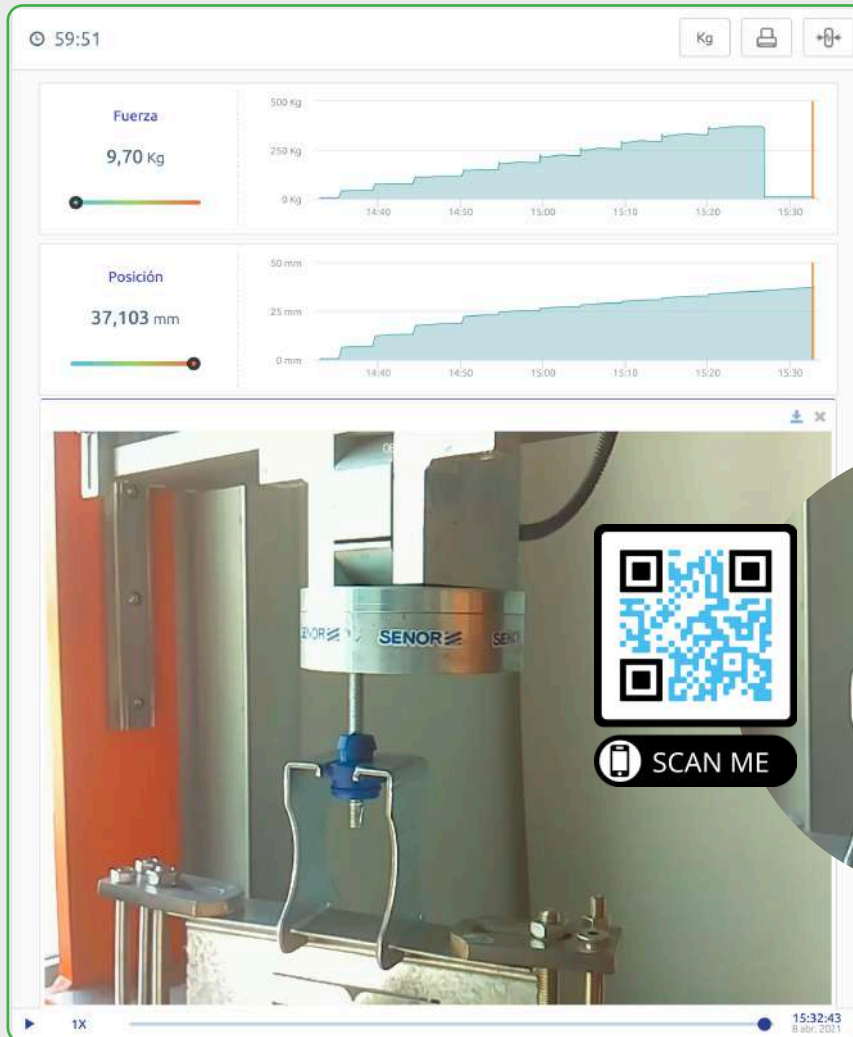
Failure mode.  
It is produced tearing in the thread shaped part of the bowl shaped.

# CONSTRUCTION Catalogue 2021

## HYBRID HANGER WITH DIRECT FASTENING TO PROFILE STIL PRIM-100

Ref. SE-STRIB CAB 75 A

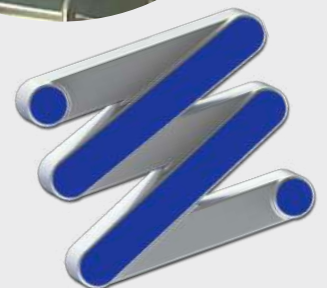
Manufacturer of **ANTIVIBRATION** systems



### STRIB CAB 75 A

Failure mode.

When the bowl shaped leveller reaches **369 kg** is broken in its thread shaped part and it is detached. The burst test is concluded.



\*SENOR Aisladores Acústicos



# CONSTRUCTION Catalogue 2021

## HYBRID HANGER WITH DIRECT FASTENING TO PROFILE STIL PRIM-100

Ref. SE-STRIB CAB 75 A

Nº PT

U. 009901248

### Certificate of COMPLIANCE



SENOR certifies:

The **Mod.STRIB CAB** in the **construction** range for the suspension of low acoustic false ceilings under slab has an optimal lifespan of **10 years** provided that the installation is carried out under **ordinary environmental** conditions and are not exposed to chemical components that could degrade the product. The **Mod.STRIB CAB** series strictly complies with **UNE** (Spanish Association for Standardization) **UNE 100-153-88**: air conditioning: vibration insulators: design criteria.

**SENOR** declares under its responsibility that the following components for suspended ceiling in buildings strictly complies with the technical sections of installation mentioned in the technical documentation of the product.

**Certificación**  
Concedida a  
**SUSPENSIONES ELASTICAS DEL NORTE SL**

PLG. IND. EL GARROTAL, PARCELA 10 MODULO 5 - 14700 - PALMA DEL RIO - CORDOBA. - ESPAÑA

Bureau Veritas Certification certifica que el Sistema de Gestión ha sido auditado y encontrado conforme con los requisitos de la norma:

**NORMA**  
**ISO 9001:2015**

El Sistema de Gestión se aplica a:

**DISEÑO, DESARROLLO Y FABRICACIÓN DE AISLADORES ACÚSTICOS PARA LA ERRADICACIÓN DE LAS VIBRACIONES Y LA CONTAMINACIÓN POR RUIDO PARA SU APLICACIÓN EN LOS SECTORES DE LA CONSTRUCCIÓN Y LA INDUSTRIA.**

Número del Certificado:	ES114742- 1
Aprobación original:	25-09-2002
Auditoría de certificación/renovación:	14-09-2020
Caducidad de ciclo anterior:	03-10-2020
Certificado en vigor:	04-10-2020
Caducidad del certificado:	03-10-2023

*Este certificado está sujeto a los términos y condiciones generales y particulares de los servicios de certificación*

Bureau Veritas Iberia S.L.  
C/ Valportillo Primera 22-24, Edificio Caoba, 28108 Alcobendas - Madrid, España

1/1

# CONSTRUCTION Catalogue 2021

## **HYBRID HANGER WITH DIRECT FASTENING TO PROFILE STIL PRIM-100**

Ref. SE-STRIB CAB 75 A

### Warning

Relevant information

**N° PT**

**U. 009901248**

**SENOR** reserves the right to make changes in specifications at any time without prior notice. It is a responsibility of the user to use the latest and updated version of the product data sheets. A copy of which will be available on request. This information and, in particular, relative recommendations to the application and final use of the product, are given in good faith, based on **SENOR** knowledge and experience of its products, provided that they are correctly installed in ordinary circumstances and within its useful life.

Manufacturer of **ANTIVIBRATION** systems



\*SENOR Aisladores Acústicos

