



*SENOR Aisladores Acústicos

ACOUSTIC Ceiling PL-25 model

Patented
P.T. 200900042 (1)



SENOR

Manufacturer of **ANTIVIBRATION** systems

ACOUSTIC Ceiling

PL-25 model

Patented

P.T. 200900042 (1)

PL-25 model

Since its beginnings, **SEÑOR** aimed to launch an acoustic hanger different from the rest by adding **Security**, **Innovation** and **Simplicity** to this product. After several years of research and development, we have reinvented this item from top to bottom. Now, **SEÑOR** is able to offer a technological upgrade incorporating an improved polymer **TC/GPN** that enhances its internal mechanical properties and provides a >10% increase in the acoustic isolation field.

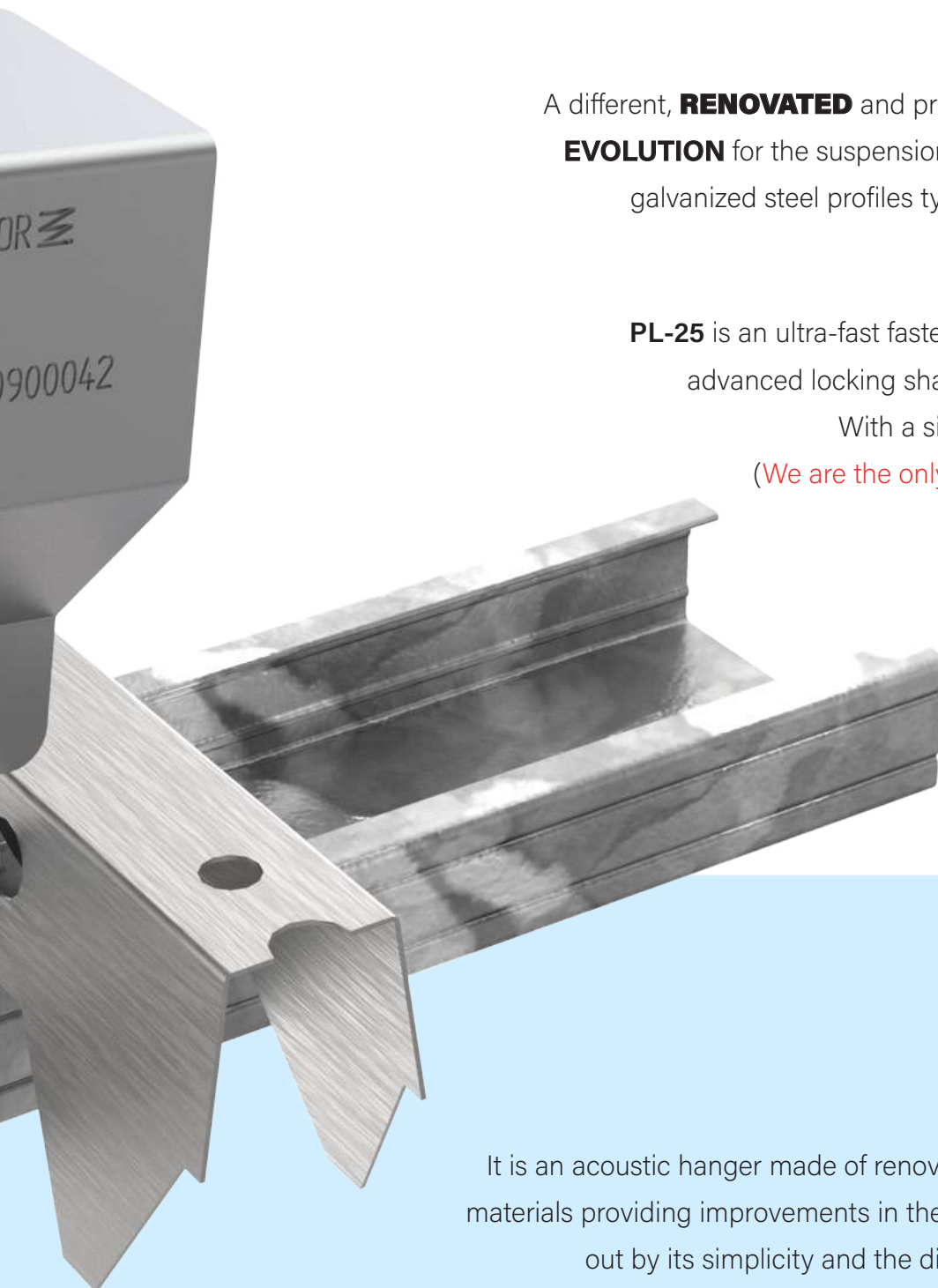


PL-25 Introduction

A different, **RENOVATED** and professional hanger with constant **EVOLUTION** for the suspension of acoustic false ceilings using galvanized steel profiles type **PH-45** (PLADUR) or similar.

PL-25 is an ultra-fast fastening that incorporates the most advanced locking shaft of the moment (**CLIP STOP**).

With a simple gesture the profile is fixed.
(We are the only ones who can manufacture it).



KEY Features

It is an acoustic hanger made of renovated and high performance raw materials providing improvements in the vibro-mechanical field. It stands out by its simplicity and the direct fastening to profiles **PH-45** (PLADUR). This type of acoustic hanger is designed to eradicate and attenuate the transmission of vibration produced by equipment with rotating and repetitive blows above **20 Hz**.

ACOUSTIC Ceiling

PL-25 model

Patented

P.T. 200900042 (1)

Dynamic load capacity

In the acoustic field there is a very wide diversity of building solutions, where the distribution of the load will depend on different variables such as: **mass m^2** , **distance between the interaxes of the ceiling profiles**, **arrangement of the acoustic hangers on the slab**, etc. The **PL-25/GOMA** model is available in **2 colours** in order to differentiate the load per unit (kg): **GREEN** and **BLUE**. The **GREEN** colour will indicate the one with the lowest weight (between **8 kg** to **30 kg** of maximum load) and the **BLUE**, the one with the highest load (between **27 kg** to **50 kg** of maximum load). In this way, we can choose the most effective acoustic hanger depending on the system.





PL-25 model

Patented

P.T. 200900042 (1)

ACOUSTIC Ceiling

Ref.
SE-PL-25 V

Green rubber: TC-4/GPN

Load between **8-30 kg.**

Resonance Frequency: **7 to 15 Hz.**



PL-25 model

Patented

P.T. 200900042 (1)

Ref.
SE-PL-25 A

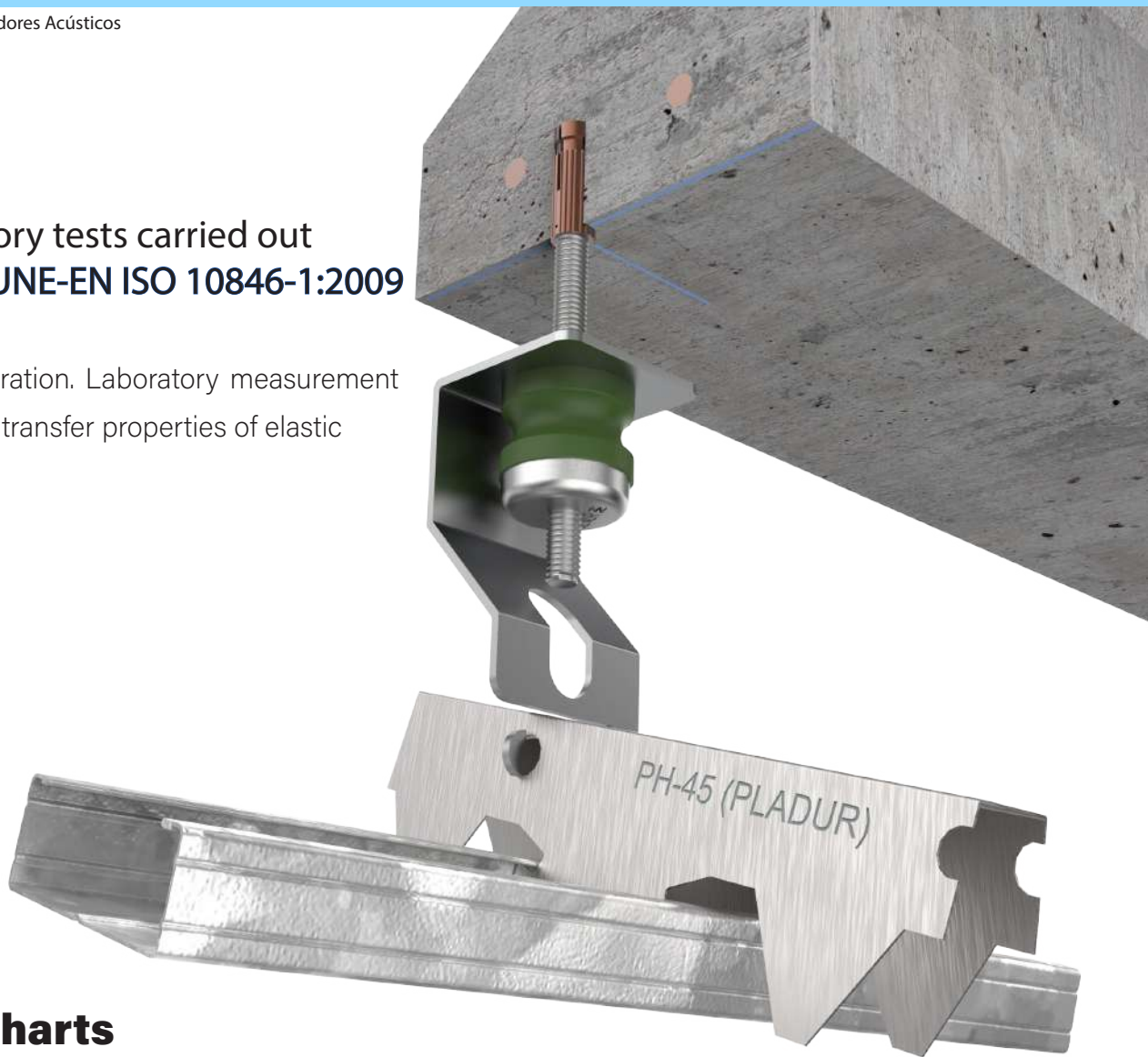
Blue rubber: TC-5/EXN

Loads between **27-50 kg.**

Resonance Frequency: **7 a 15 Hz.**

Laboratory tests carried out according to UNE-EN ISO 10846-1:2009

Acoustic and vibration. Laboratory measurement of vibro-acoustic transfer properties of elastic elements.



Product charts

Chart 1



ACOUSTIC Ceiling

Chart 2

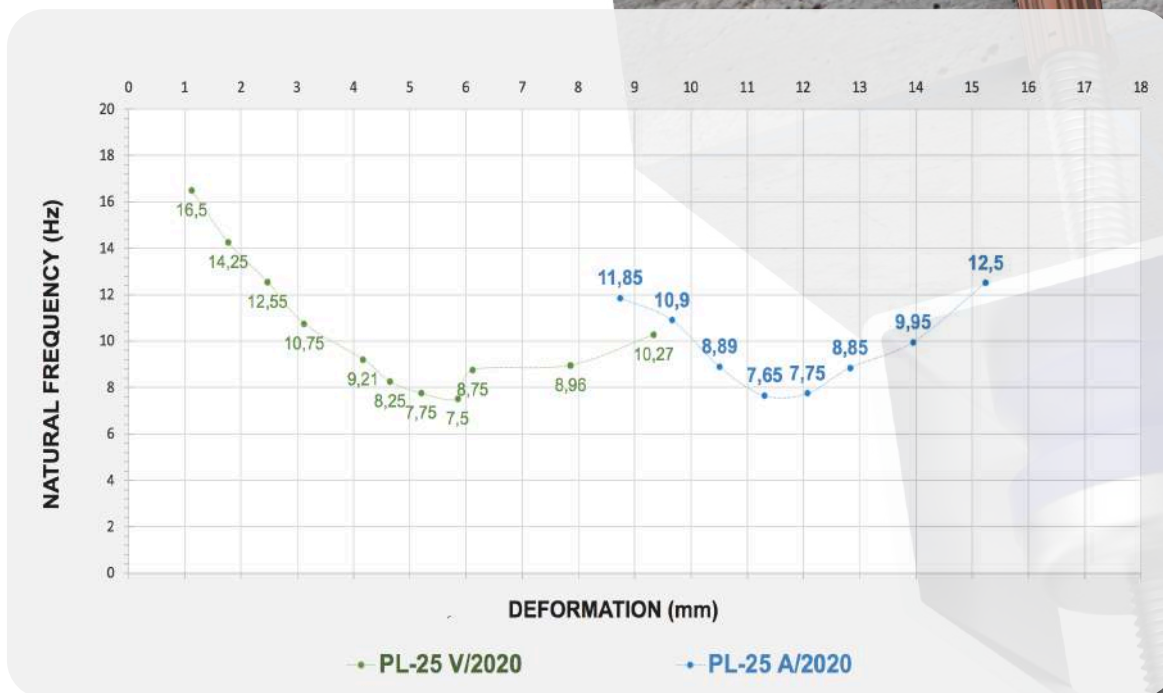
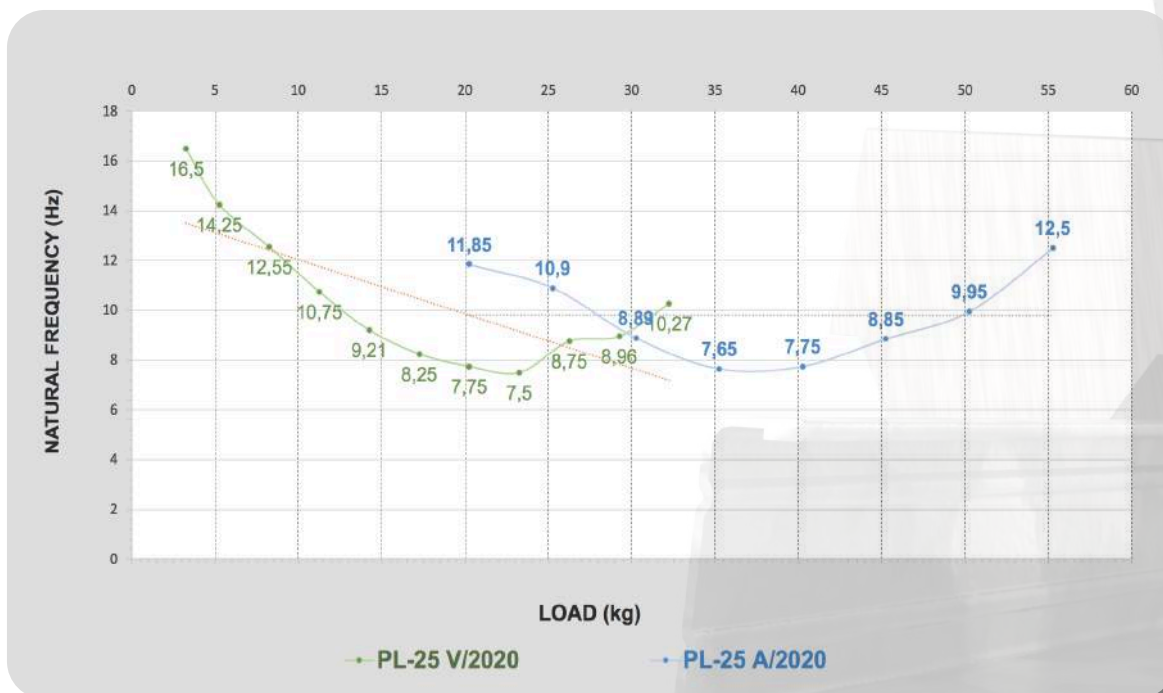


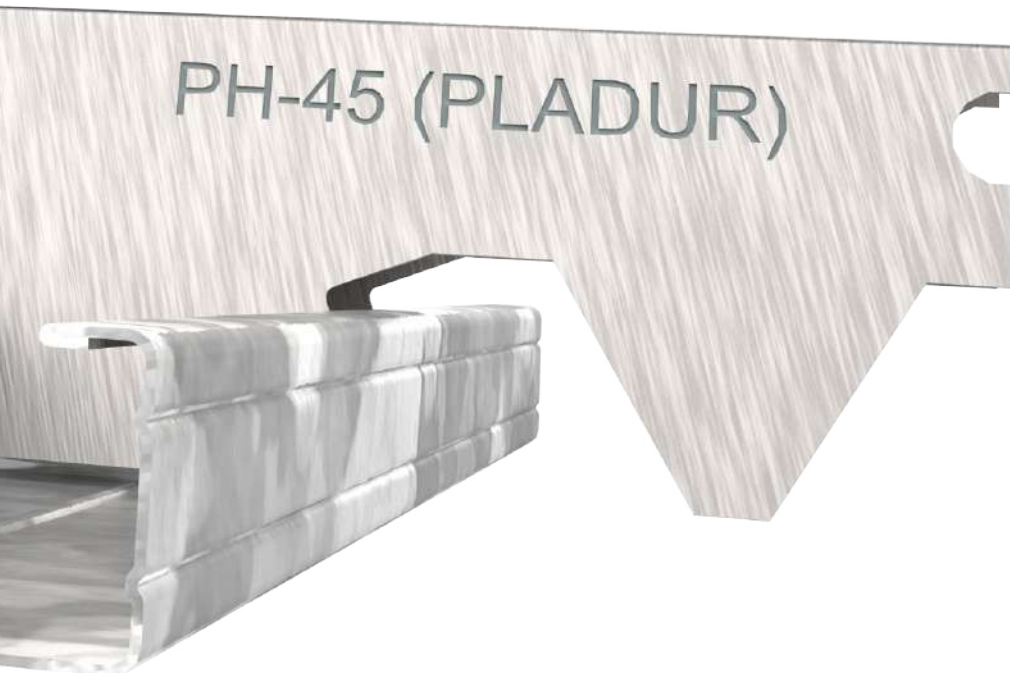
Chart 3



PL-25 model

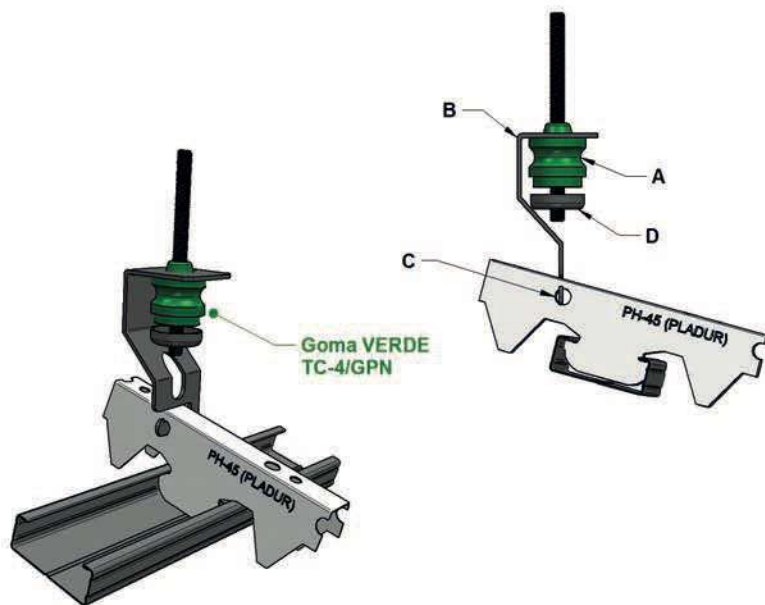
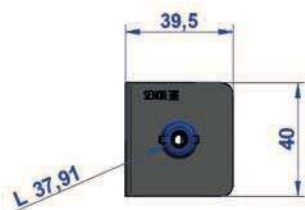
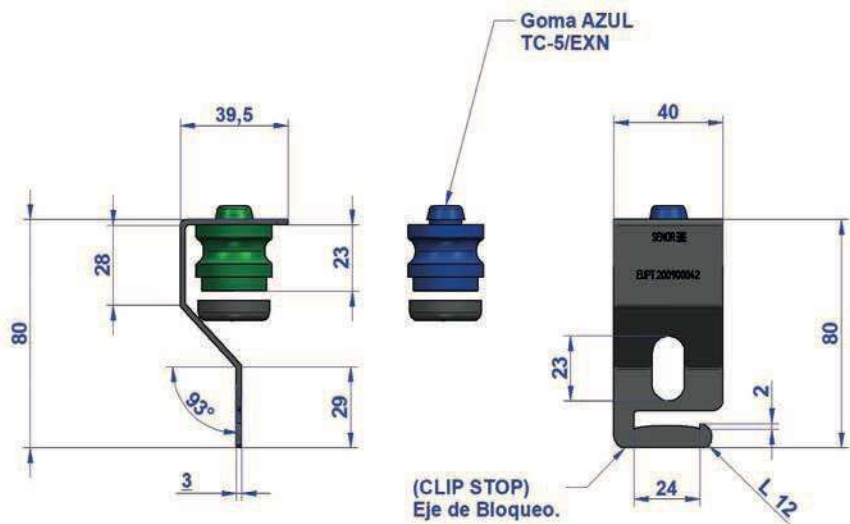
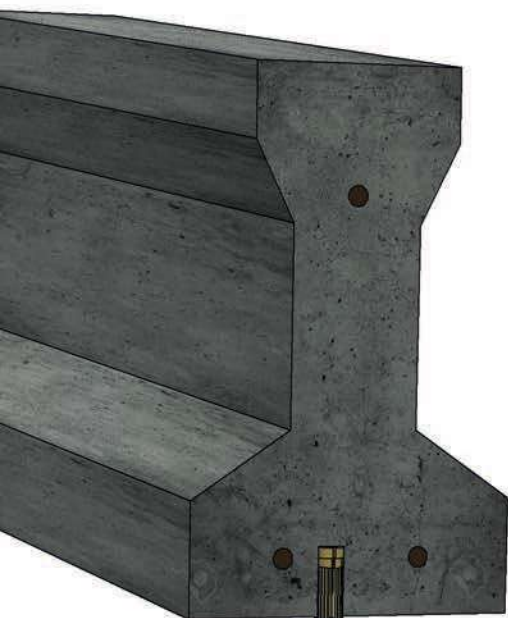
Patented

P.T. 200900042 (1)



ACOUSTIC Ceiling

DRAWING VIEWS



(A) Upper polymer with projection part that avoids the contact between the threaded bar and metal components (B). In addition, it provides a perfect installation to metallic bowl-shaped piece (D) and an optimal behaviour in the range of **medium/high frequencies (Hz)**.

PL-25 model

Patented

P.T. 200900042 (1)



(B) **External framework** made of high performance galvanized steel **Dx54d + Z140** with a **3 mm** thickness. It provides stiffness to the system and a fast insertion to ceiling profile.

(C) Locking device, (**CLIP STOP**), made of high performance galvanized steel **Dx54d + Z140** with **3 mm** thickness. **BREAKING POINT:** it is broken above the **300 kg**.

(D) **Metallic bowl-shaped piece**, made of high performance galvanized steel **Dx54d + Z140** with **1.5 mm** thickness. It provides resistance to the mechanical system. **BREAKING POINT:** the thread turns are broken above **250 kg**.

Certificate of Compliance



SEÑOR certifies:

All our **construction** products for suspended acoustic ceilings under slab, including **PL-25** model, have an optimal lifespan of 10 years provided that the installation is carried out under **ordinary environmental conditions** and are not exposed to chemical components that could degrade the product. The **PL-25** model strictly complies with **UNE** (Spanish Association for Standardization) **UNE 100-153-88**: air conditioning; design criteria.



PL-25 model

Patented

P.T. 200900042 (1)

Warning

Relevant information

SEÑOR reserves the right to make changes in specifications at any time without prior notice. It is a responsibility of the user to use the latest and updated version of the product data sheets. A copy of which will be available on request. This information and, in particular, relative recommendations for the application and final use of the product, are given in good faith, based on SEÑOR knowledge and experience of its products, provided that they are correctly installed in ordinary circumstances and within its useful life.

PROJECT MANAGER: David Muñoz SEÑOR

DECLARACIÓN DE CONFORMIDAD.

(DIRECTIVA 89/106/CEE SOBRE LOS PRODUCTOS DE CONSTRUCCIÓN)

EC DECLARATION OF CONFORMITY

(CONSTRUCTION PRODUCTS DIRECTIVE 89/106/CEE).

SUSPENSIONES ELÁSTICAS DEL NORTE, S.L. ([SEÑOR](#))

P.I. El Garrotal, Parcela 10, módulo 4 y 5 / Palma del Río (CÓRDOBA) España (SPAIN)

DECLARA BAJO SU RESPONSABILIDAD QUE LOS SIGUIENTES COMPONENTES DE SUBSTRUCTURA DE TECHO SUSPENDIDO UTILIZADO EN INTERIORES DE EDIFICIOS: DECLARES UNDER ITS RESPONSIBILITY THAT THE FOLLOWING SUSPENDED CEILING SUBSTRUCTURE COMPONENTS TO BE USED INSIDE BUILDINGS.

USED FOR INTERIOR APPLICATIONS:

MODELO/MODEL: [SE-PL-25](#).

MÉTRICA/METRIC: [6 y 8](#).

REFERENCIAS/REFERENCES:

PERFIL/PROFILE: [PH-45](#)

[SE-PL-25 V/M6](#)

[SE-PL-25 V/M8](#)

[SE-PL-25 A/M6](#)

[SE-PL-25 A/M8](#)

CUMPLE LOS REQUISITOS DE LA NORMA

[UNE-EN 13964:2006; UNE-EN 13964:2006/A1:2008](#)

MEET THE REQUIREMENTS OF THE STANDARD

[EN 13964:2006; EN 13964:2006/A1:2008](#)

APLICACIONES:

PARA USO EN LA INSTALACIÓN DE FALSOS TECHOS ACÚSTICOS.

APPLICATIONS:

TO BE USED IN THE INSTALLATION OF ACOUSTIC CEILINGS

FECHA DE EMISIÓN: 02/05/2018

GERENTE/MANAGING DIRECTOR

ISSUED ON: 02/05/2018

RE: DCE 002-ver 1

Ms Carmen López Iglesias