

# CONSTRUCTION Catalogue

2021

**HYBRID** HANGER WITH  
**DIRECT** FASTENING TO **C** PROFILES or **STUD**

Ref. SE-MSN-90 R 120

SE-MSN-90 R 120  
**Patented**

**SEÑOR**

# CONSTRUCTION Catalogue 2021

## HYBRID HANGER WITH DIRECT FASTENING TO **C** PROFILES or **STUD**

Ref. **SE-MSN-90 R 120**

### Introduction

A **DIFFERENT** and **PROFESSIONAL** hanger.  
Higher performance in the least space.  
They are **HYBRID** hangers with locking stops (**ID**)  
and a perfect installation to profiles **C** or **STUD**.

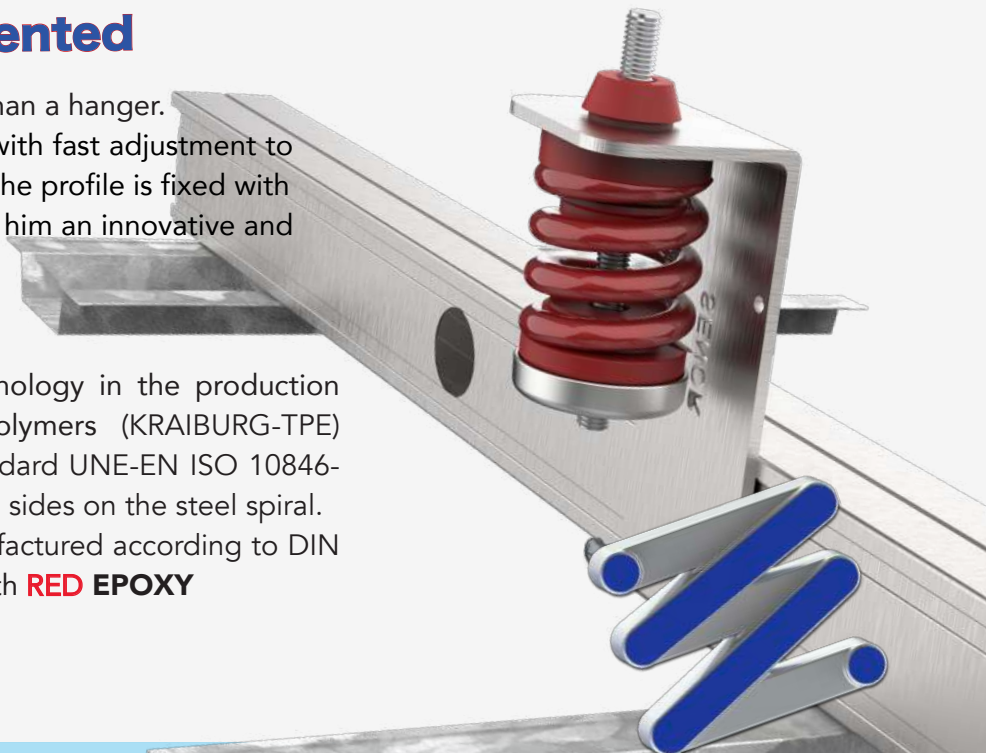
**MSN-90 R 120** is manufactured with high  
performance and renovated raw material  
providing improvements in  
the vibro-acoustic field.

### Patented

**MSN-90 R 120** is more than a hanger.  
It is an acoustic hanger with fast adjustment to  
first profile **C** or **STUD**. The profile is fixed with  
a simple gesture making him an innovative and  
unique product.

We use the latest technology in the production  
such as: renovated polymers (KRAIBURG-TPE)  
tested according to standard UNE-EN ISO 10846-  
1:2009 and placed in the sides on the steel spiral.  
The steel spring is manufactured according to DIN  
2095 UNE EN 10270, with **RED EPOXY**  
treatment.

Manufacturer of **ANTIVIBRATION** systems



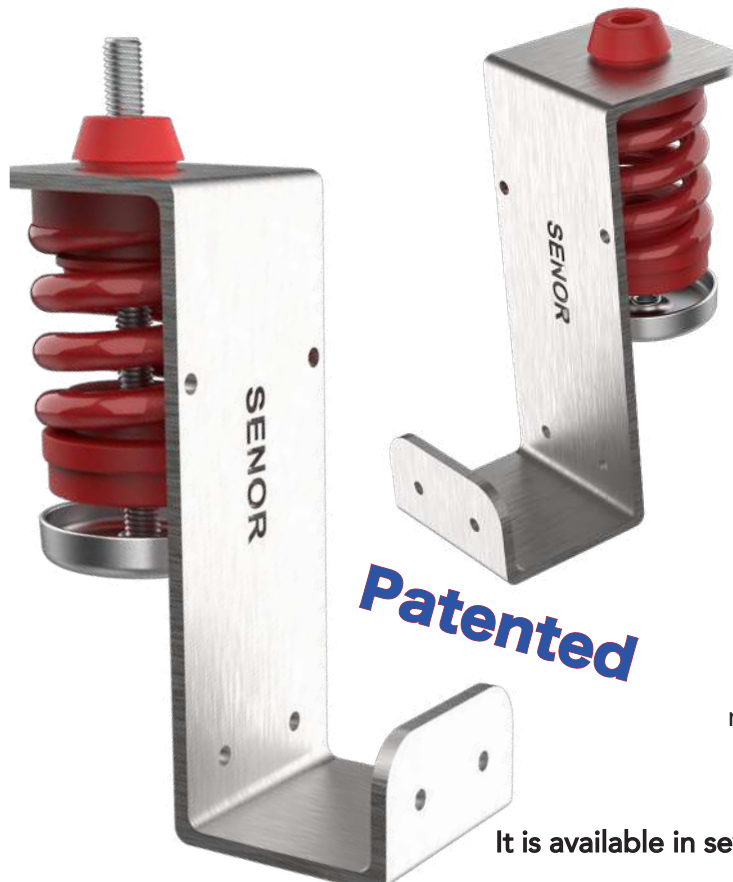
\*SEÑOR Aisladores Acústicos



# CONSTRUCTION Catalogue 2021

## HYBRID HANGER WITH DIRECT FASTENING TO C PROFILES or STUD

Ref. SE-MSN-90 R 120



### ACOUSTIC / HYBRID Ceiling

**STEEL SPRING:** it provides a high level of insulation to vibrations in the range of **low/medium** frequencies (Hz).

**RENOVATED POLYMERS:** they have a better damping factor and a higher degree of insulation to vibration in the range of **medium/high** frequencies (Hz).

**COMBINATION:** the combination makes possible launch onto the market the best hanger of the moment and reduce the vibrations in the range of exciter frequencies.

It is available in several metrics: 6, 8 and 10.

### LOAD RANGE (KG)

It is recommended to loads between **30 kg** and **75 kg** of maximum load.  
(Strongly recommended not to exceed this limit in order to prevent overstressing the polymer).

**RESONANCE** frequency: 3-7 Hz.



# CONSTRUCTION Catalogue

## 2021

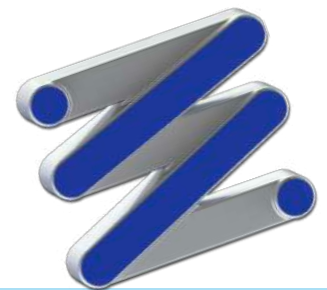
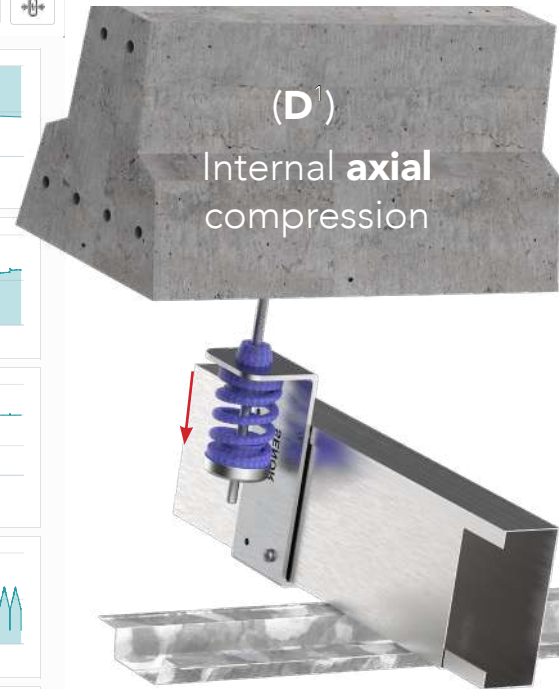
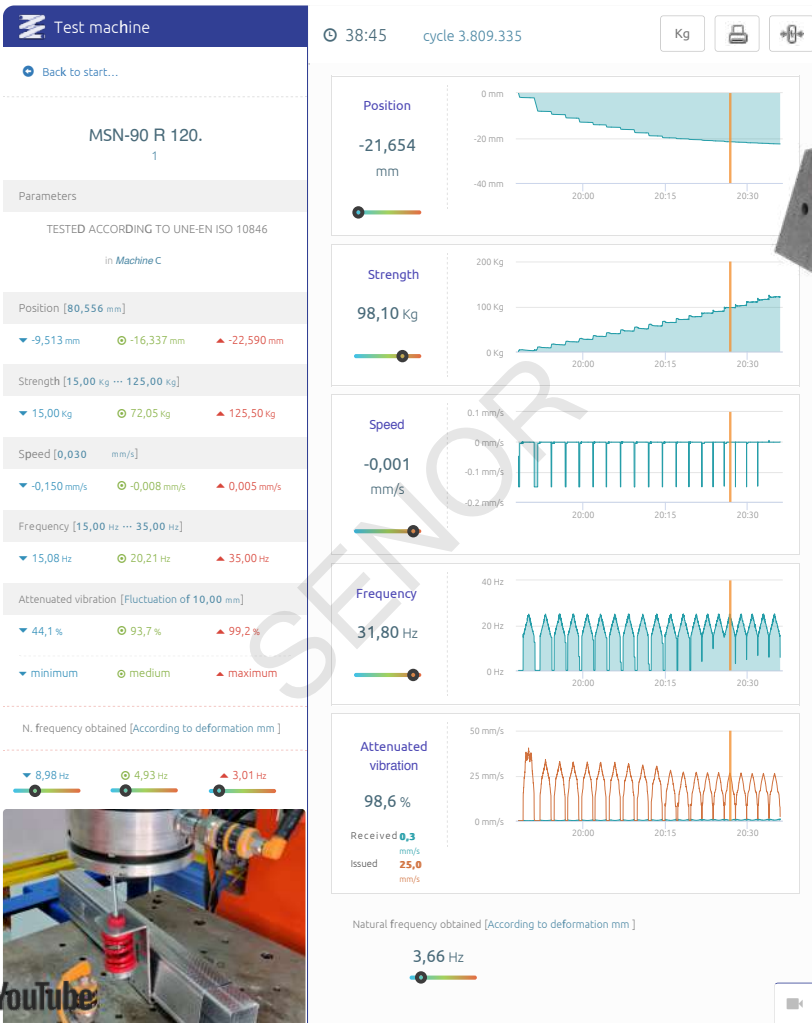
### HYBRID HANGER WITH DIRECT FASTENING TO C PROFILES or STUD

Ref. SE-MSN-90 R 120

Laboratory tests carried out according to UNE-EN ISO 10846-1:2009

Acoustic and vibration. Measurement in the laboratory of vibro-acoustic transfer properties of elastic elements.

Manufacturer of ANTIVIBRATION systems





# CONSTRUCTION Catalogue 2021

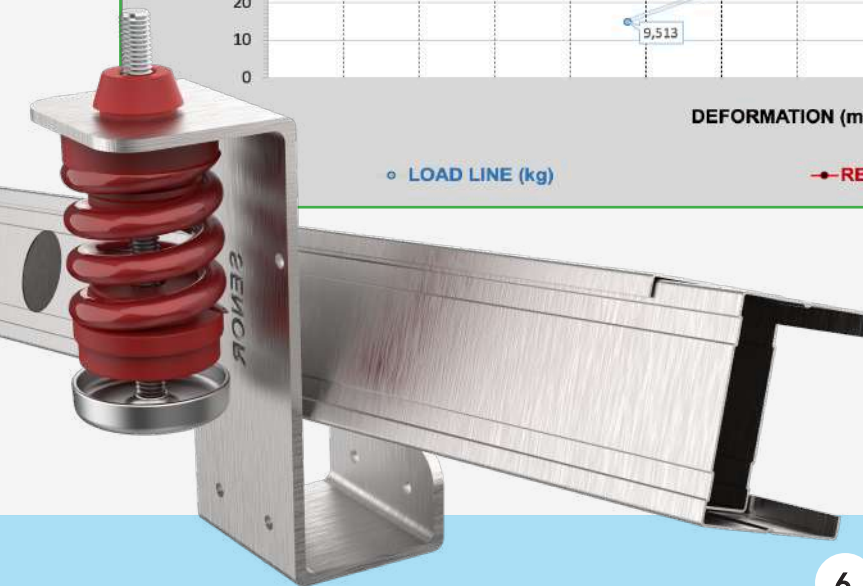
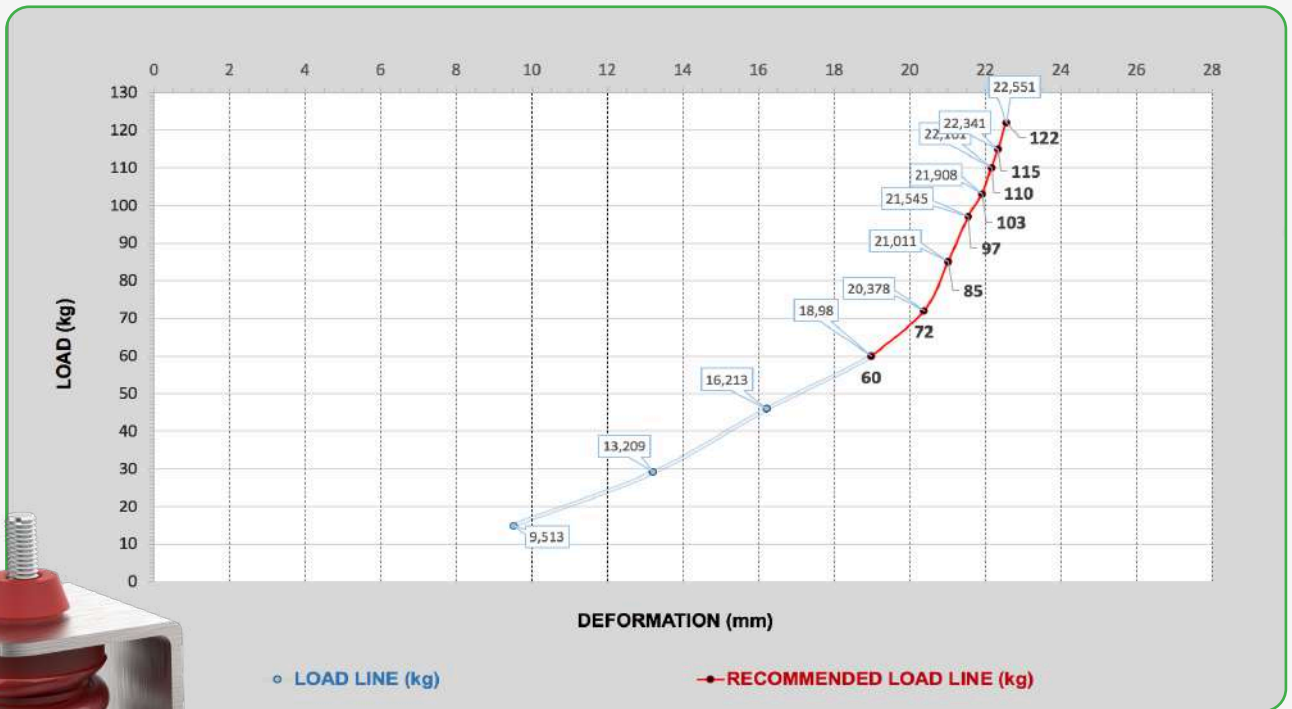
## HYBRID HANGER WITH DIRECT FASTENING TO C PROFILES or STUD

Ref. SE-MSN-90 R 120

### LABORATORY RESULTS

Chart 1

### ACOUSTIC / HYBRID Ceiling



RED RUBBER & SPRING:  
Available references

- 1° SE-MSN-90 R 120/M6.
- 2° SE-MSN-90 R 120/M8.
- 3° SE-MSN-90 R 120/M10.

# CONSTRUCTION Catalogue 2021

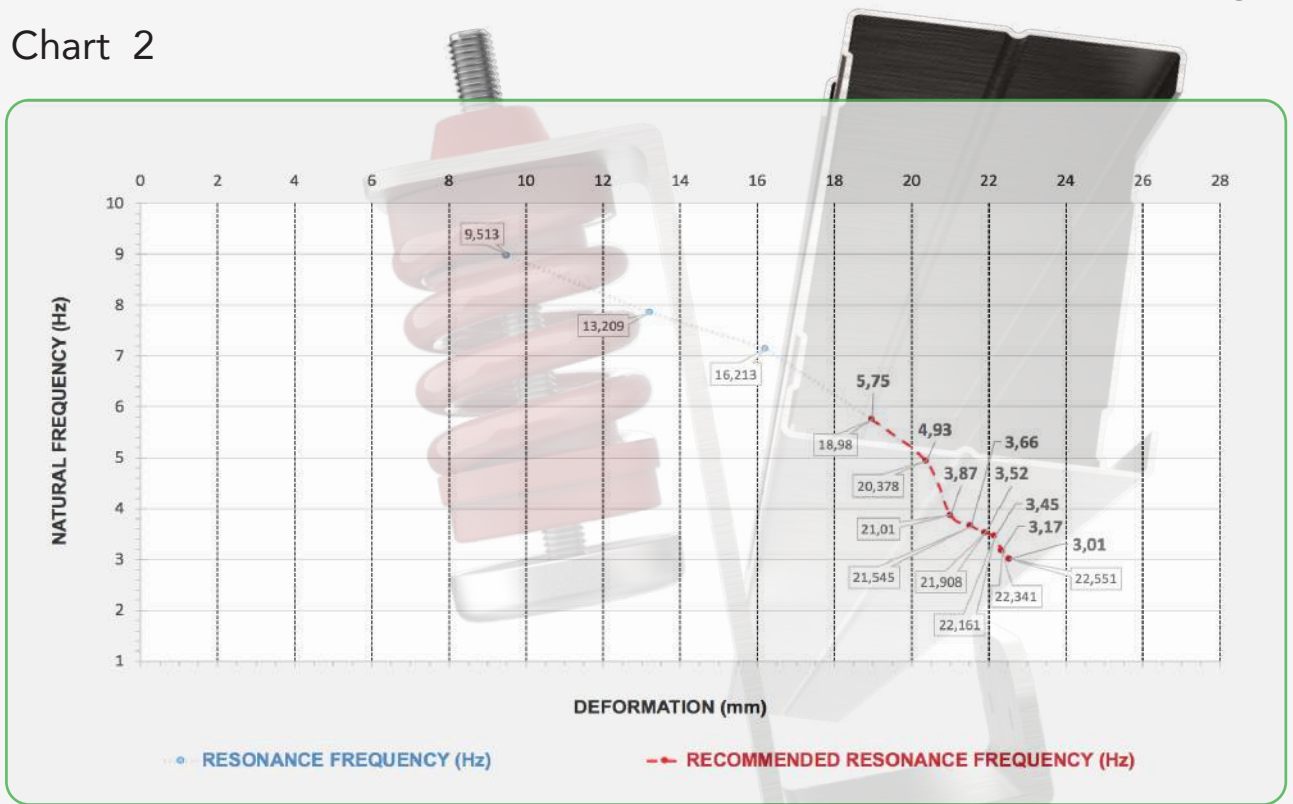
## HYBRID HANGER WITH DIRECT FASTENING TO C PROFILES or STUD

Ref. SE-MSN-90 R 120

Manufacturer of **ANTIVIBRATION** systems

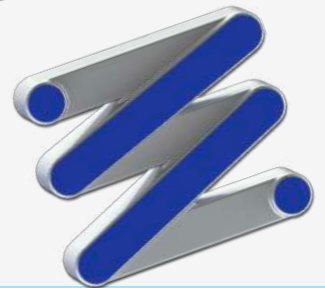
### ACOUSTIC / HYBRID Ceiling

Chart 2



Ref. SE-MSN-90 R 120

Patented



\*SENOR Aisladores Acústicos



# CONSTRUCTION Catalogue 2021

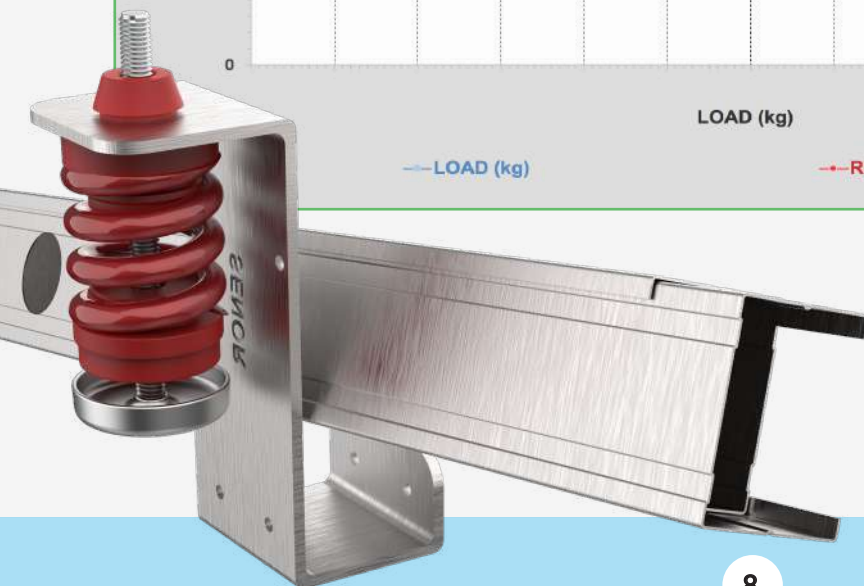
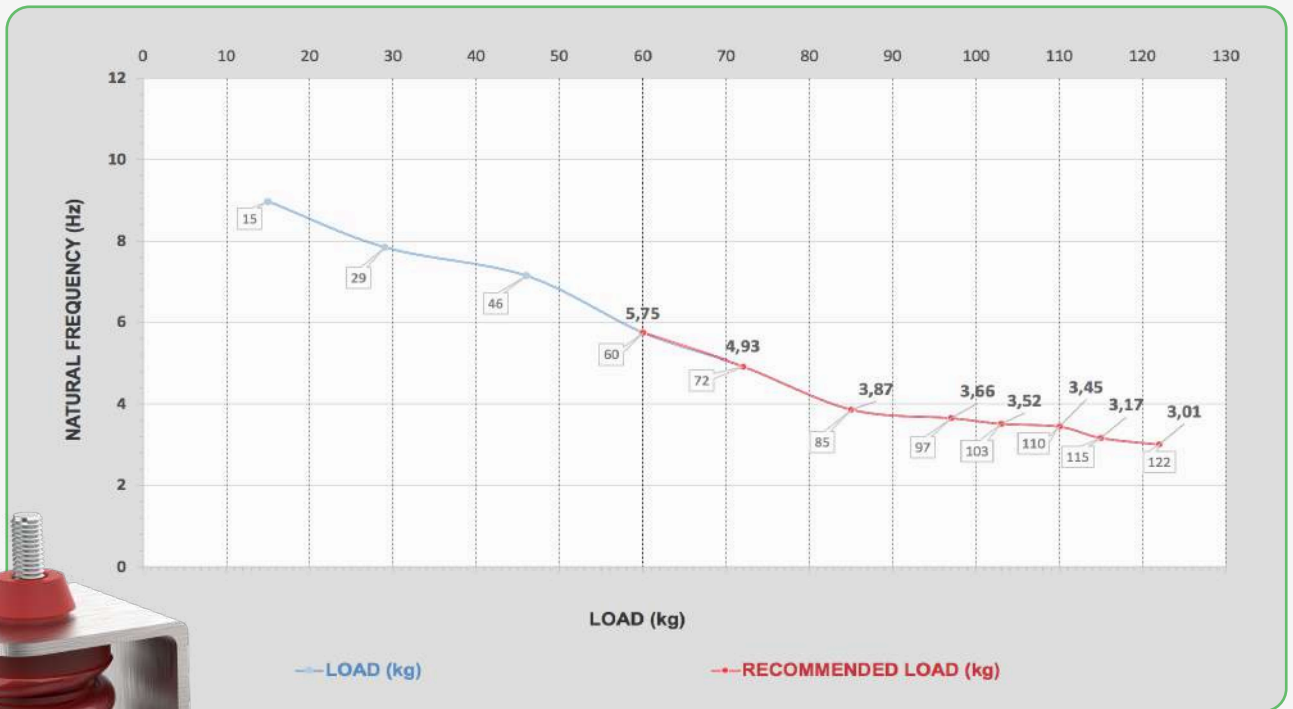
**HYBRID HANGER WITH  
DIRECT FASTENING TO C PROFILES or STUD**

**Ref. SE-MSN-90 R 120**

## LABORATORY RESULTS

Chart 3

**ACOUSTIC / HYBRID Ceiling**



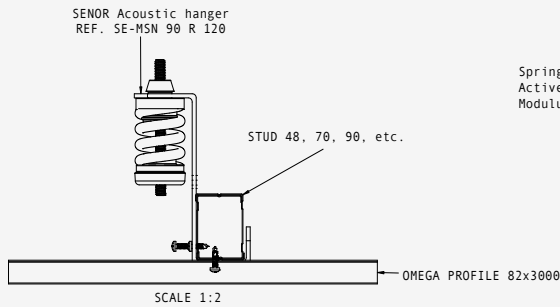
**Ref. SE-MSN-90 R 120  
Patented**

# CONSTRUCTION Catalogue 2021

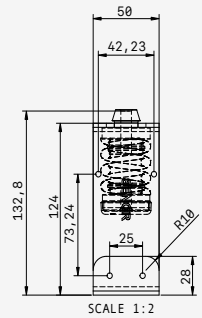
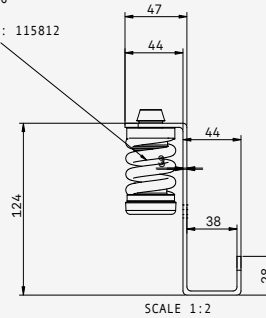
## HYBRID HANGER WITH DIRECT FASTENING TO C PROFILES or STUD

Ref. SE-MSN-90 R 120

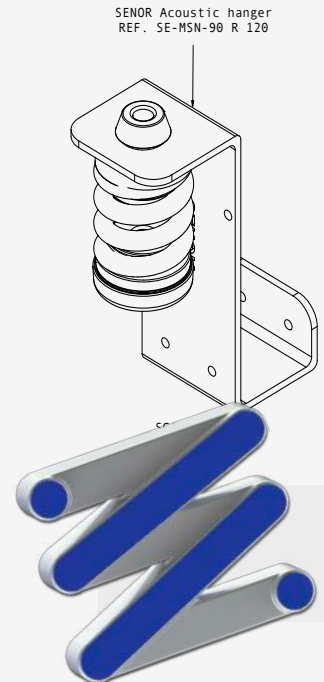
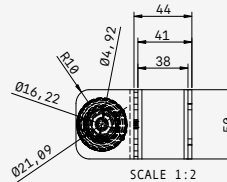
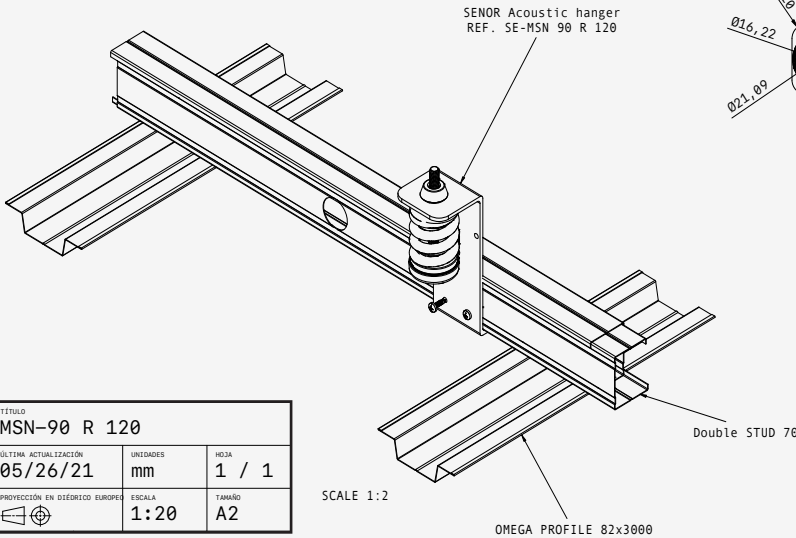
### DRAWING VIEWS



Spring diameter: 5.6  
Active coils: 4,0  
Modulus of rigidity: 115812



SE-MSN-90 R 120  
Patented



TÍTULO MSN-90 R 120		
ÚLTIMA ACTUALIZACIÓN 05/26/21	UNIDADES mm	Hoja 1 / 1
PROYECCIÓN EN DISEÑO EUROPEO	ESCALA 1:20	TAMANO A2



\*SE-MSN Aisladores Acústicos



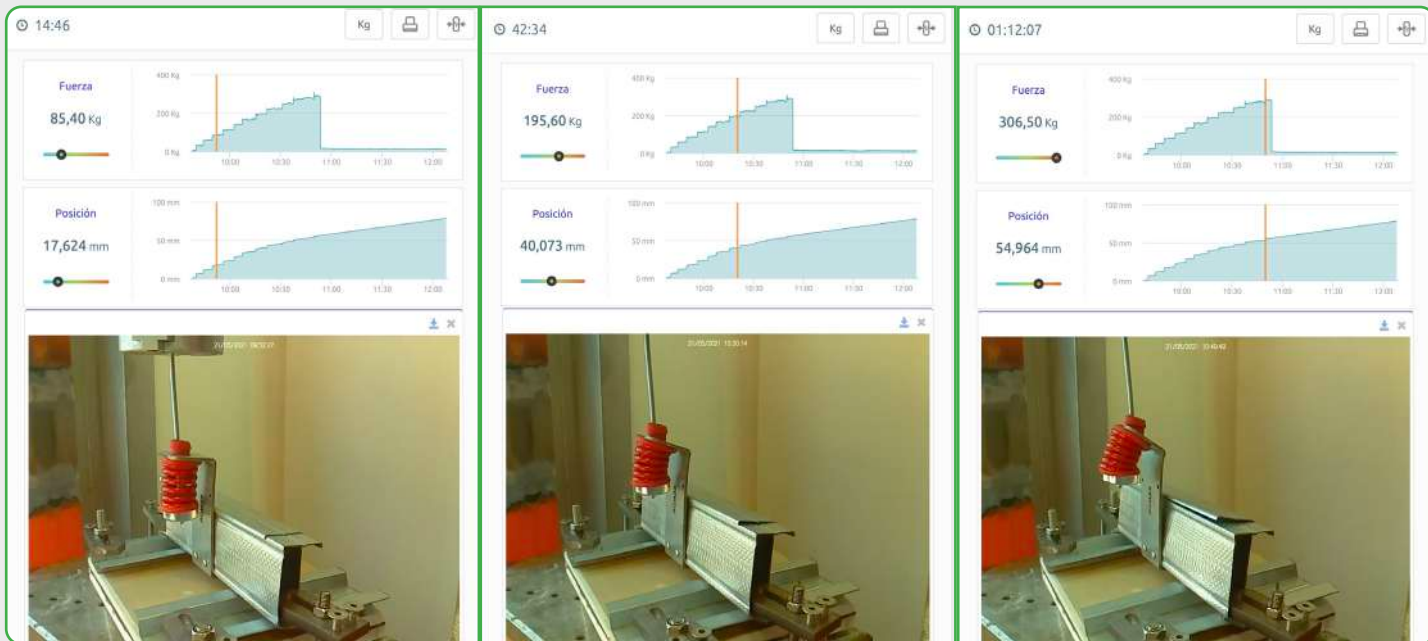


# CONSTRUCTION Catalogue 2021

## **HYBRID HANGER WITH DIRECT FASTENING TO C PROFILES or STUD**

**Ref. SE-MSN-90 R 120**

### Mechanical test LABORATORY



**Test layout: 85,4 kg**

**MSN-90 R 120**

In this test, the hanger is subjected to load inside the parameters designed to the product.

**SE-MSN-90 R 120  
Patented**

**Test layout: 195,6 kg**

**MSN-90 R 120**

In this test, the hanger is subjected to load out of the parameters designed to the product.

We can see steel spring and polymers very compressed.

**Test layout: 306,5 kg**

**MSN-90 R 120**

Failure mode.  
The components are deformed and the profiles are twisted reaching its elastic limit.

# CONSTRUCTION Catalogue 2021

## HYBRID HANGER WITH DIRECT FASTENING TO C PROFILES or STUD

Ref. SE-MSN-90 R 120

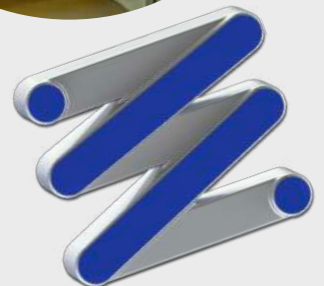
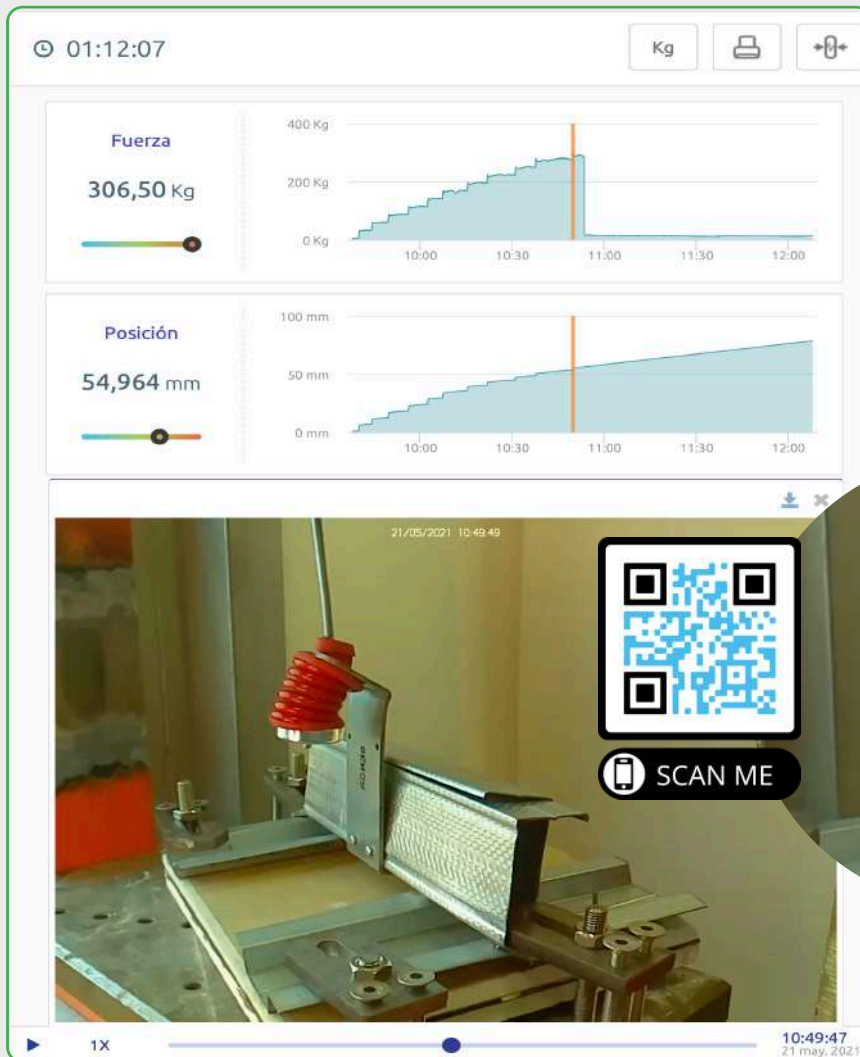
Manufacturer of **ANTIVIBRATION** systems

### MSN-90 R 120

Failure mode.

The elastic limit of the component is reached at **306 kg**.

The break strength testing is concluded.



\*SENOR Aisladores Acústicos



# CONSTRUCTION Catalogue 2021

**HYBRID HANGER WITH  
DIRECT FASTENING TO C PROFILES or STUD**

Ref. SE-MSN-90 R 120

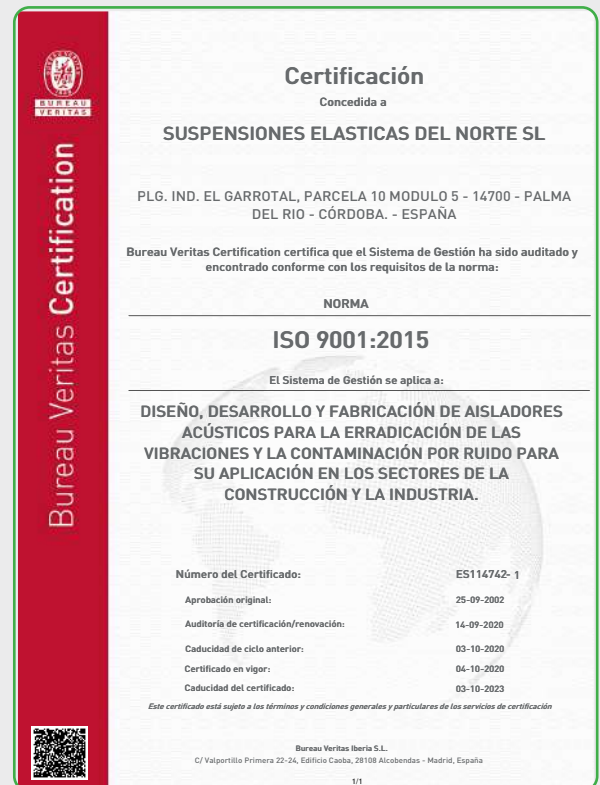
## Certificate of Compliance



SENR certifies:

The **MSN-90 model** in the construction range for the suspension of acoustic false ceilings under slab has an **optimal lifespan of 10 years** provided that the installation is carried out under **ordinary environmental conditions** and are not exposed to chemical components that could degrade the product. The **MSN-90 model** strictly complies with **UNE** (Spanish Association for Standardization) **UNE 100-153-88**: air conditioning: vibration insulators: design criteria.

SENR declares under its responsibility that the following components for suspended ceiling in buildings strictly complies with the technical sections of installation mentioned in the technical documentation of the product.



# CONSTRUCTION Catalogue 2021

## **HYBRID** HANGER WITH **DIRECT** FASTENING TO **C** PROFILES or **STUD**

Ref. **SE-MSN-90 R 120**

Manufacturer of **ANTIVIBRATION** systems

### Warning

Relevant information

**SE** reserves the right to make changes in specifications at any time without prior notice. It is a responsibility of the user to use the latest and updated version of the product data sheets.

**A copy of which will be available on request.** This information and, in particular, relative recommendations to the application and final use of the product, are given in good faith, based on **SE** knowledge and experience of its products, provided that they are correctly installed in ordinary circumstances and within its useful life.



**SE-MSN-90 R 120**

**Patented**



\*SE Aisladores Acústicos