

01 **F/RAPID GM 47 A DS2**

**ACOUSTIC RUBBER HANGER
WITH DOUBLE LOCKING DEVICE (DS)**

The **F/RAPID GM 47 A DS2** is a high quality acoustic **RUBBER** hanger. It is devised to provide quality and performance to any given acoustic system. It is used in the installation of acoustic ceiling with galvanized steel channels such as **TC47, F530, MAESTRA 47/17** or similars.

Its design allows this acoustic hanger to be turned into a safety connector. Not using the rubber part, it act as a connector between channels.

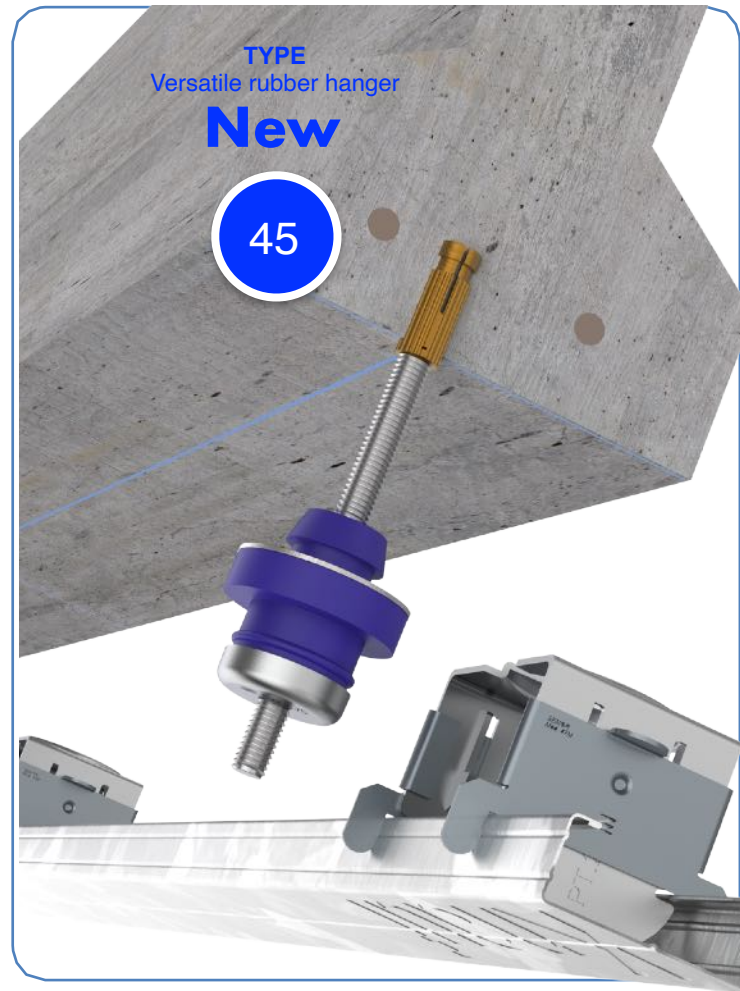
MAIN FEATURES:


●The polymer (rubber): this polymer is known as **KRAIBURG-TPE** and it is tested according to Spanish standard **UNE-EN ISO 10846-1:2009** (**UNE**: Spanish Association for Standardization).

✓Resonance frequency: **7-15 Hz**.

●Galvanized steel framework with an opening to facilitate the leveling. This design provides the opportunity to fix the framework on the ceiling channels firstly and then put the rubber part. In this way, the leveling is faster and easier.

●Double locking device (**DS**) providing safety to the system.



REF	COLOUR	METRIC MIN-MAX	CHANNEL (mm)	LOAD (kg) MIN-MAX	PACKING
SE-F/RAPID/GM 47 A DS2		6 - 8	45 - 48	20 - 45	50



Ref. F/RAPID GM 47 A DS2

Laboratory test UNE-EN ISO 10846-1:2009



Chart 1

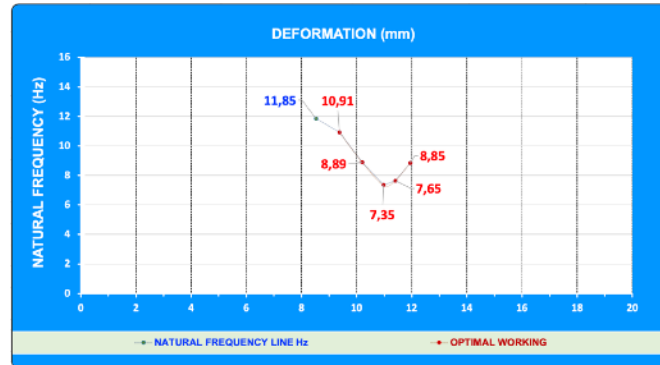


Chart 2

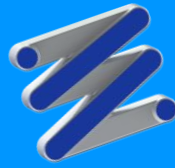
Results

LOAD (Kg)	DEFORMATION (mm)	RESONANCE FREQUENCY (Hz)	SWEEP (Hz)		SOUNDPROOFING LEVEL (%)	
			25	50	25	50
20	8,53	11,85	25	50	71,02	94,05
25	9,38	10,91	25	50	76,48	95,00
30	10,20	8,89	25	50	85,52	96,74
37	10,98	7,10	25	50	91,23	97,94
40	11,40	7,65	25	50	89,67	97,60
45	11,95	8,85	25	50	85,67	96,77

Laboratory test UNE-EN ISO 10846-1:2009



Chart 3



Ref. F/RAPID GM 47 A DS2



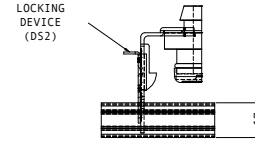
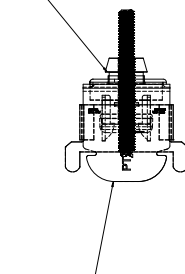
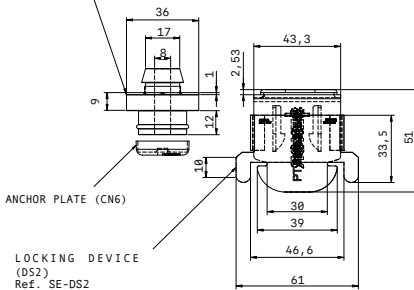
FRONT VIEW

POLYMER KRAIBURG-TPE TC-5/EXN

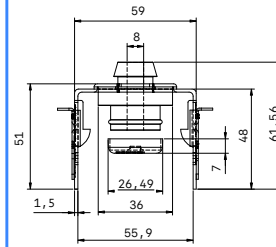
MINIMUM LOAD: 20 kg
MAXIMUM LOAD: 45 kg

ASSEMBLY PROCESS: 2 in 1

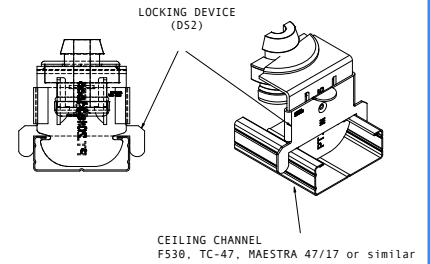
By adding the rubber to the metal framework (the connector) we get the acoustic hanger. Ref. SE-F/RAPID 47 GM A DS2



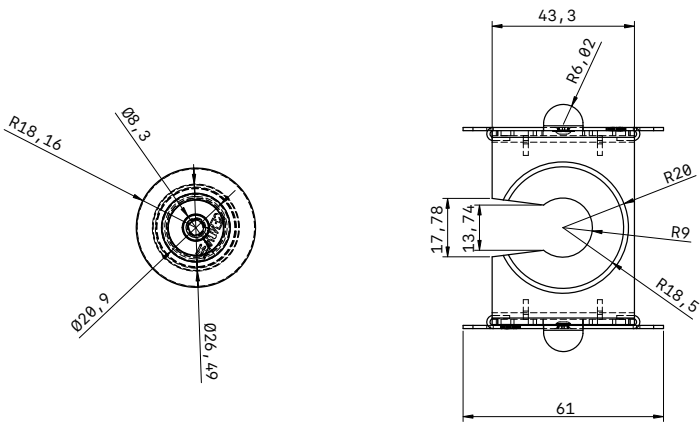
SIDE VIEW



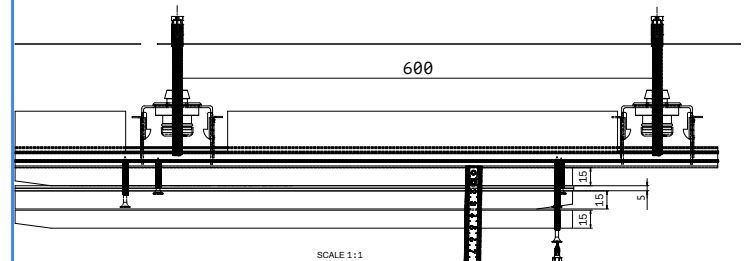
SAFETY SYSTEM



PLAN VIEW



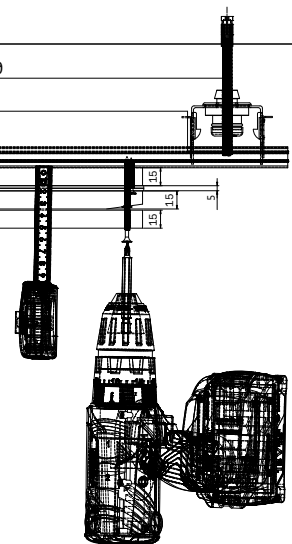
DETAIL

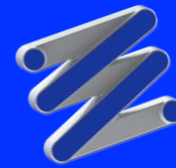


TYPE:
Versatile rubber hanger

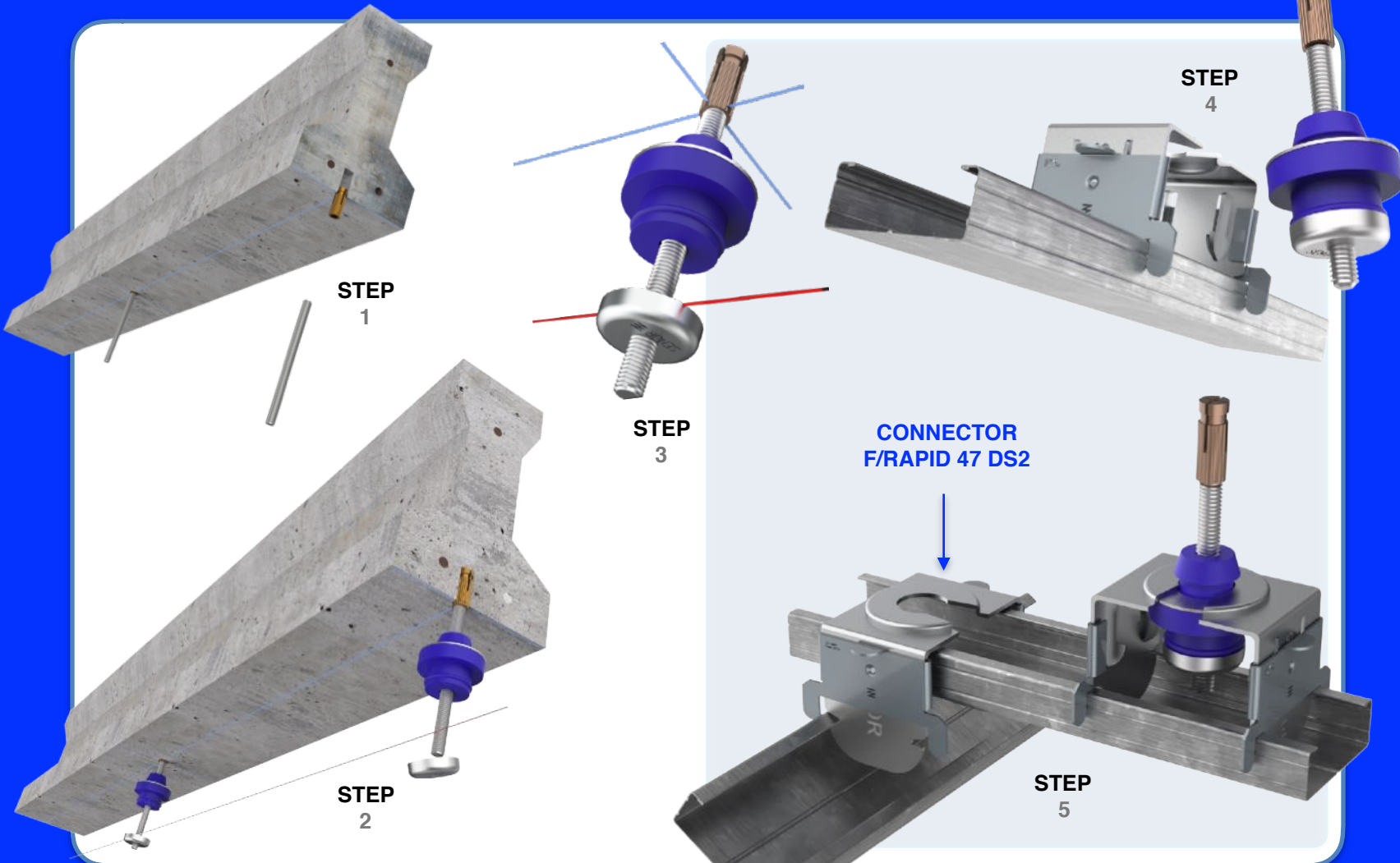
New

45





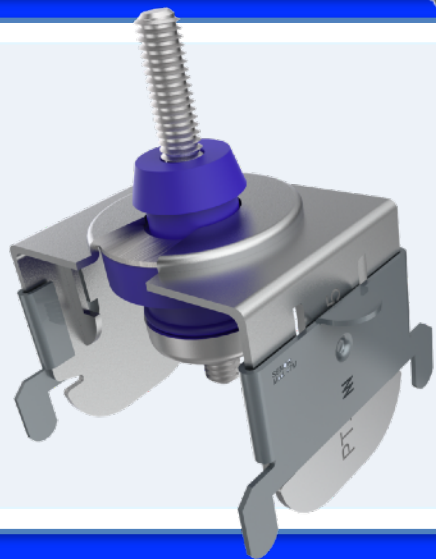
Ref. F/RAPID GM 47 A DS2



TYPE:
Versatile rubber hanger
New

45

SCAN ME



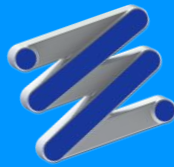
SENOR certifies:

F/RAPID GM/DS MODEL

SENOR reserves the right to make changes in specifications at any time without prior notice. It is a responsibility of the user to use the latest and updated version of the product data sheet.

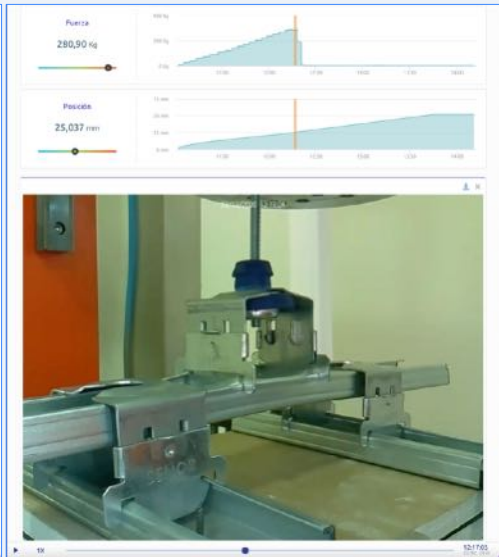
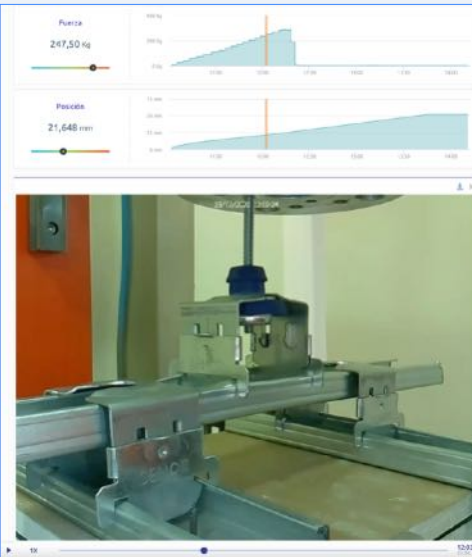
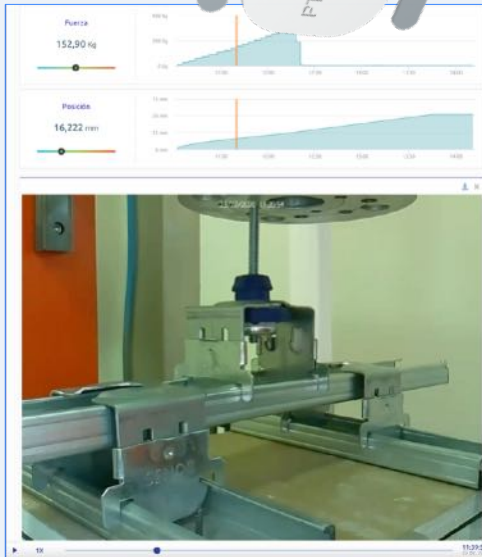
A copy of which will be available on request.

The Standard: UNE-EN 13964:2016/A1
Use: The installation of acoustic ceilings



Ref. F/RAPID GM 47 A DS2

DEFORMATION TEST



Date:
SENOR 23 December 2020

Failure mode

This hanger exceeds the elastic limit of the ceiling channel by reaching **300,01 kg**. In this case, the load line goes down reaching **4,00 kg**.

The burst test is concluded.

Conclusion

This hanger is designed to bear loads between **20-45 kg** (maximum load). It strictly complies with standard **UNE-EN 13964:2016/A1**. Suspended ceiling. Requirements and test methods. (UNE: Spanish Association for Standardization).



TYPE
Versatile rubber hanger

New

45

SCAN ME

