

YouTube

SENOR Aisladores Acústicos

Ref. BF-SPLIT

A WORLD of ACOUSTIC solutions

www.SENOR.es

SENOR 
USER Manual

SPLIT
Unit



Installation on
BRACKET

 SCAN ME



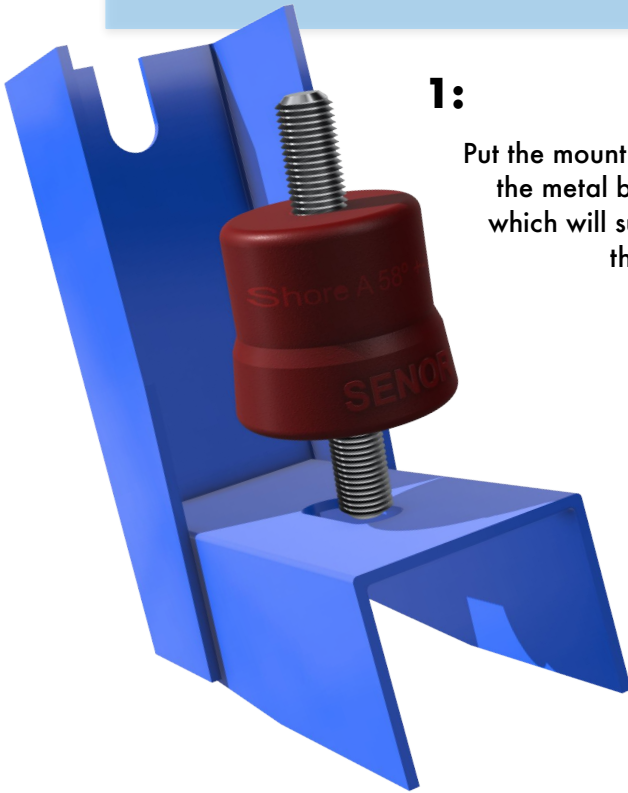
Ref. BF-SPLIT

User manual:

A unique product for air conditioning units on bracket.

1:

Put the mount **BF** on the metal bracket which will support the unit.



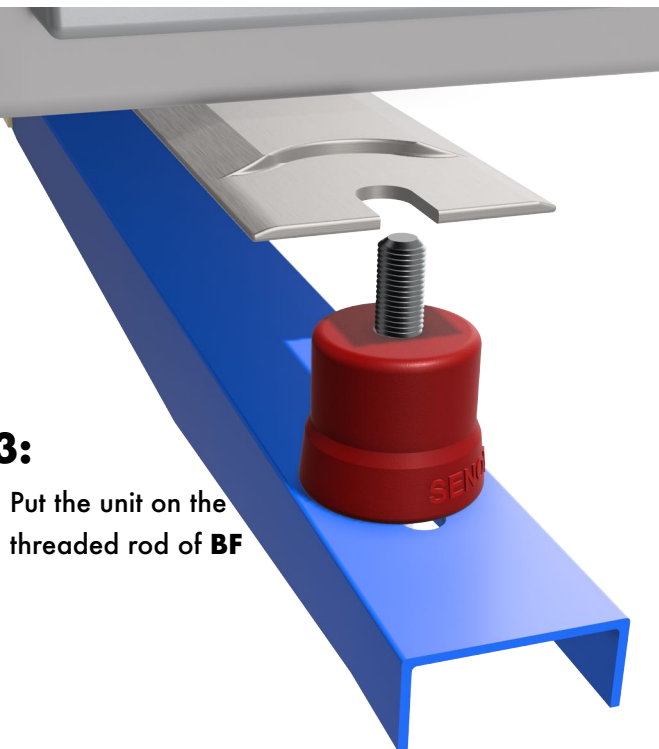
2:

Adjust the **BF** in the SPLIT unit using a washer plus a self-locking nut.



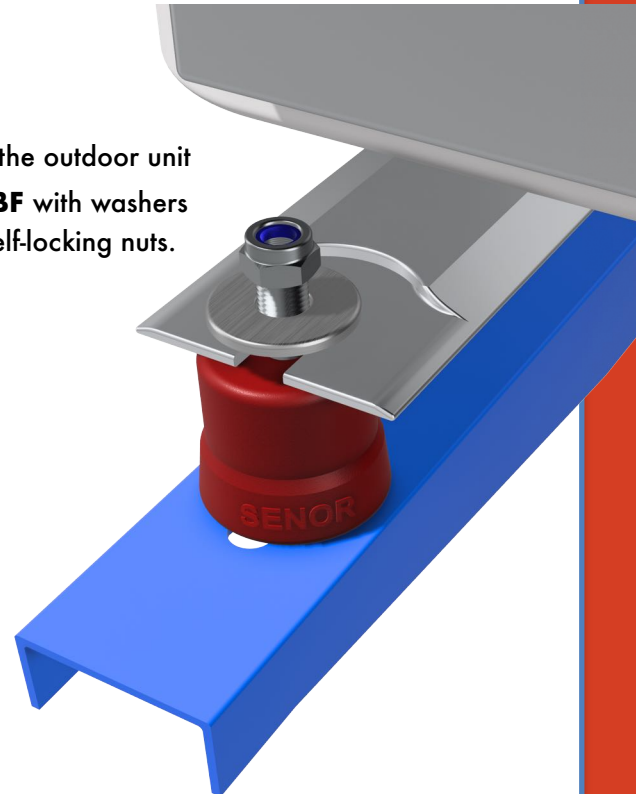
3:

Put the unit on the threaded rod of **BF**



4:

Attach the outdoor unit to the **BF** with washers and self-locking nuts.



Relevant information!

This product is provided with self-locking nuts to not tighten the nuts and leave the rubber without tension.