

# INDUSTRY Catalogue

## 2021

RUBBER DAMPER WITH  
SIDE STABILIZERS  
Serie MBS



**New**  
BI-400/R



## RUBBER DAMPER WITH **SIDE STABILIZERS** BI 400 R Model

Higher performance in the least space. They are **RUBBER** dampers with movement stabilizers. **Beauty** and **performance** all in one.

The **BI 400 R model** is a RUBBER damper designed to protect the machinery from shock vibration and impacts in the range of medium/high frequencies (Hz). They are recommended for equipment working starting at **1250 rpm**.

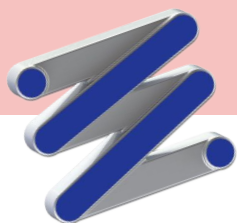
This new series of **MBS** has numerous accessories to make the impossible possible, such as: levelling system, fast fastening, safety stops, extension in heights, etc. These accessories make him an **innovative and unique** product.

## Revolution **NOVELTY** BI Model

We use the latest technology in the production such as: renovated polymers (**KRAIBURG-TPE**) tested according to **UNE-EN ISO 10846-1:2009**.

**New**  
BIE-400 R





**SENOR**

# INDUSTRY Catalogue 2021

## RUBBER DAMPER WITH **SIDE STABILIZERS**

**BI 400 R Model**

**New**

**BIRE-400/R**



Revolution **NOVELTY**  
Model/BI

**ZAMAK-5:** It is a zinc alloy with aluminum, magnesium and copper. It has hardness, high resistance, density  $6,6 \text{ g/cm}^3$  and melting temperature of  $386^\circ$  according to **UNE-EN 12844**.

Covering with **INTERPON 700** (epoxy resin and polyester) providing a durability to rusting above **2000** saline hours.

**SCREWS:** Every model is supplied with stainless steel screws.

**STABILIZER:** Every model incorporates inside stops preventing the polymer (**KRAIBURG-TPE**) works under torque.

It is available in several metrics: 8, 10, 12, 14, 16 and 18.

## LOAD RANGE (KG)

**BI** load is distinguished by colours.

It is available in 3 types of hardness and each of them is classified by colour and load range (kg).



**New**

BI-400/R



## RUBBER DAMPER WITH SIDE STABILIZERS

**BI 400 R Model**

**RED RUBBER:**  
Available references:

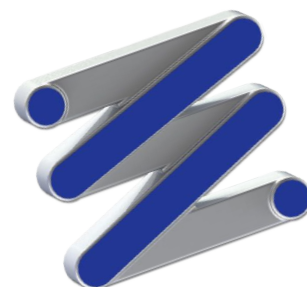
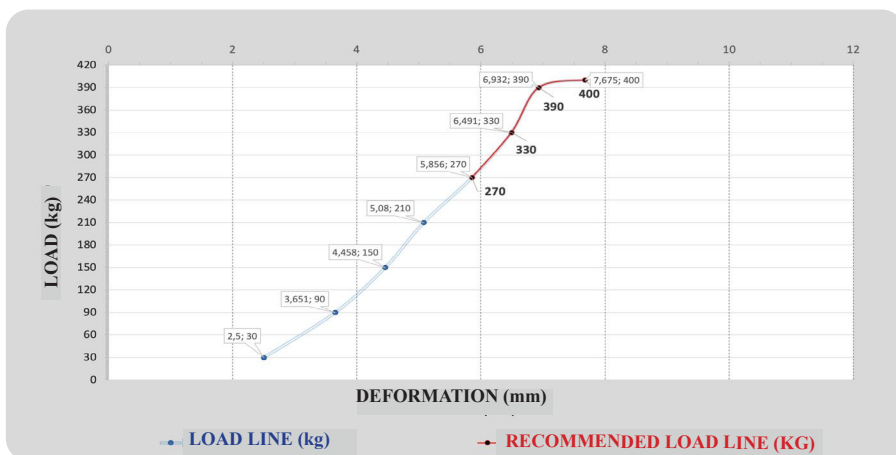
SE-BI- 400 R, **SE-BI-400 R + PT1**, SE-BI-400 R + PT2,  
**SE-BIE-400 R**, SE-BIR-400 R, **SE-BIR-400 R + PT1**,  
SE-BIR-400 R + PT2 & **SE-BIRE-400 R**.

It is recommended to loads between **270 kg** and **400 kg** of maximum load. (Strongly recommended not to exceed this limit in order to prevent overstressing the polymer).

**RESONANCE** frequency: **8-15 Hz**.

## LABORATORY RESULTS

Chart 1



## RUBBER DAMPER WITH SIDE STABILIZERS BI 400 R Model

Chart 2

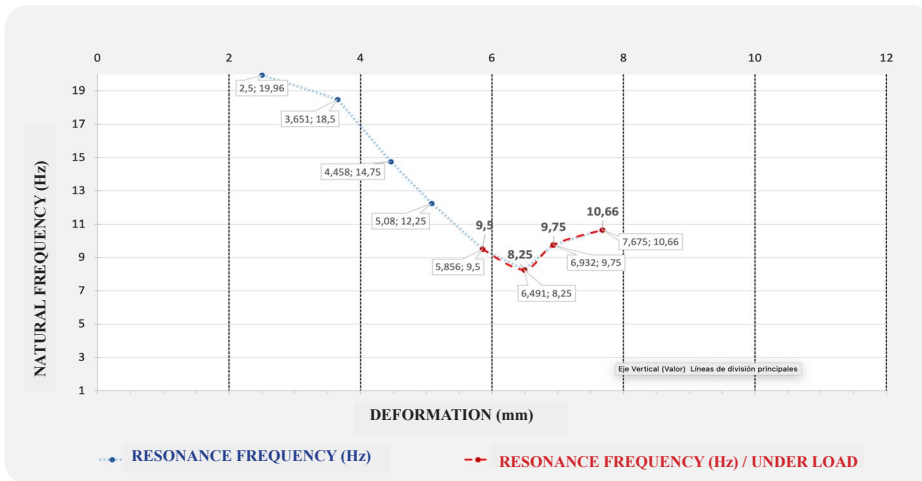
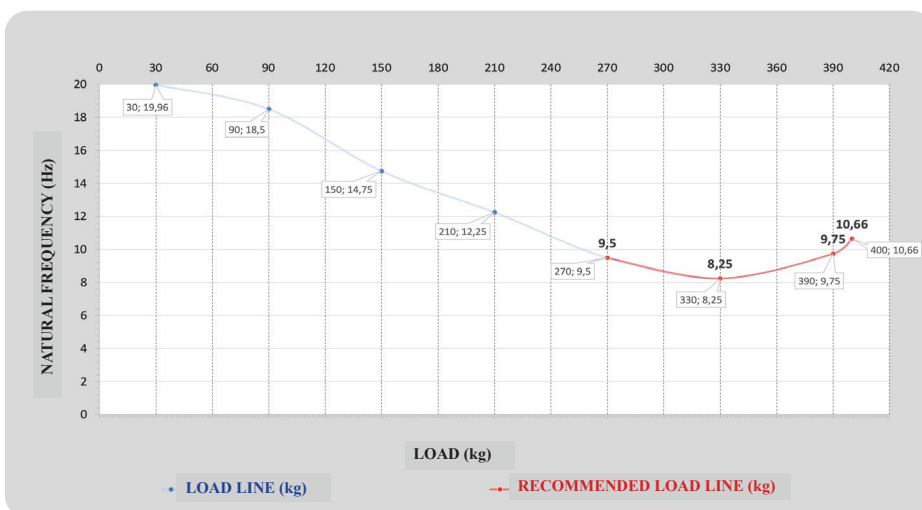


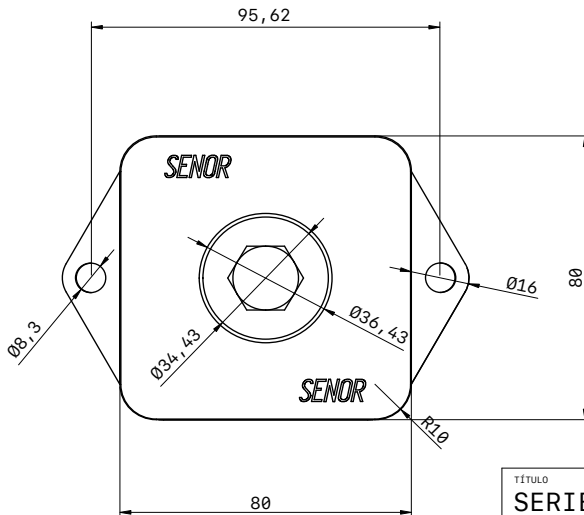
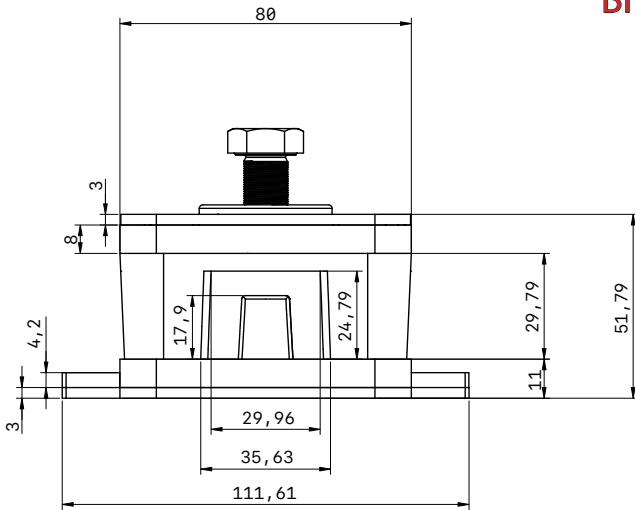
Chart 3



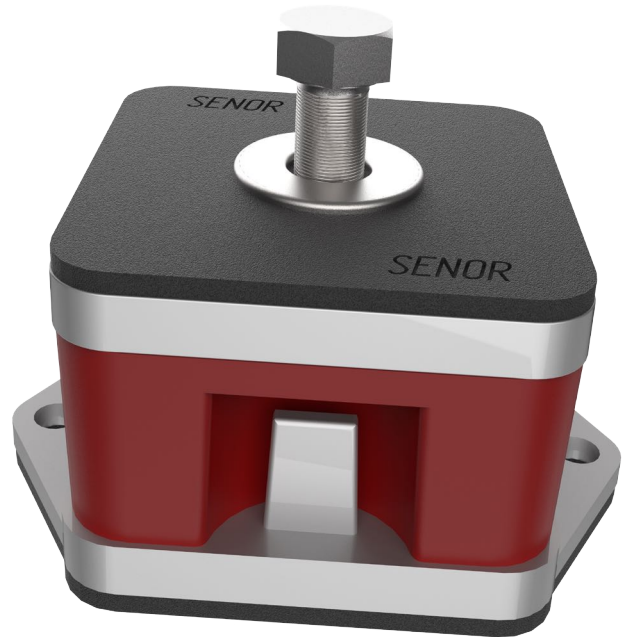
## RUBBER DAMPER WITH SIDE STABILIZERS

BI 400 R Model

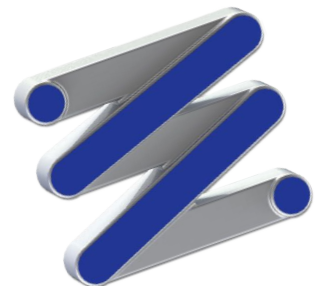
Manufacturer of ANTIVIBRATION systems



Drawing views **NOVELTY**  
Model/BI-400 R



TÍTULO		
SERIE MBS-BI-400 R		
ÚLTIMA ACTUALIZACIÓN	UNIDADES	HOJA
03/31/21	mm	1 / 1
PROYECCIÓN EN DIÉDRICO EUROPEO	ESCALAR	TAMAÑO
	1:1	A2



## RUBBER DAMPER WITH SIDE STABILIZERS

**BI 400 R Model**

### SETTINGS AND REFERENCES



**BI-400/R**

It is the simplest in its series  
**MBS/BI-400 R.**

It is a support damper with female thread. It is available in several metrics.



**BI-400/R + PT1**

In the **MBS/BI-400 R** series it offers the highest technology.

It allows that air conditioning units are supported without using screws. It has a central stop to hold the machine.



**BI-400/R + PT2**

In the **MBS/BI-400 R** series it offers the highest technology.

It allows that air conditioning units are supported without using screws.

It includes double locking stop to hold the air conditioning unit at its ends.

## RUBBER DAMPER WITH SIDE STABILIZERS BI 400 R Model

### SETTINGS AND REFERENCES



#### BIE-400/R

It includes a central stainless steel valve spindle available in several metrics.

**Length:** 75 mm.

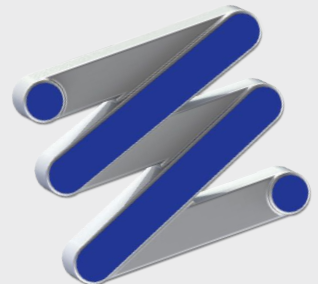
This damper allows attaching and holding air conditioning units in slope areas.



#### BIRE-400/R

It offers an improvement in the levelling system regarding its previous: **BIE-400 R**.

This damper allows attaching and holding air conditioning units in slope areas in a safer way.





## RUBBER DAMPER WITH SIDE STABILIZERS

**BI 400 R Model**

### SETTINGS AND REFERENCES



#### BIR-400/R

A different damper in **MBS/BI-400 R** series.

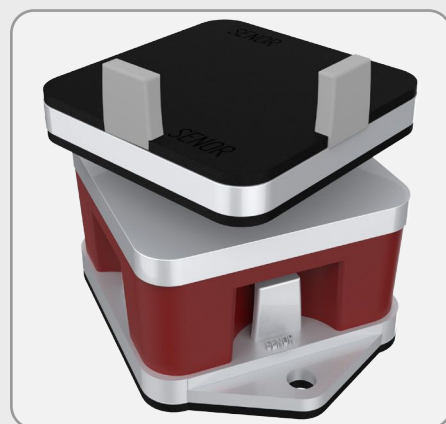
This is a support damper with levelling platform. It allows an adjustment up to 3 cm.



#### BIR-400/R + PT1

In the **MBS/BI-400 R** series it offers higher technology.

It is a support damper with levelling platform. It has a central stop to hold the machine without using screw. Moreover, it allows an adjustment up to 3 cm.



#### BIR-400/R + PT2

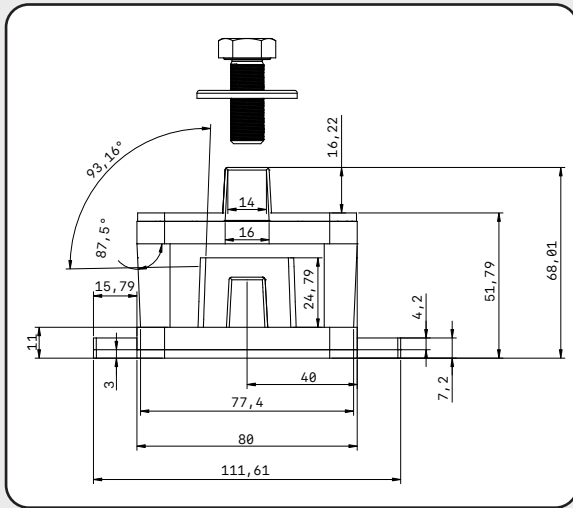
In the **MBS/BI-400 R** series it offers the highest technology.

It is a support damper with levelling platform. It has two stops at its ends to hold the machine without using screws. Moreover, it allows an adjustment up to 3 cm.

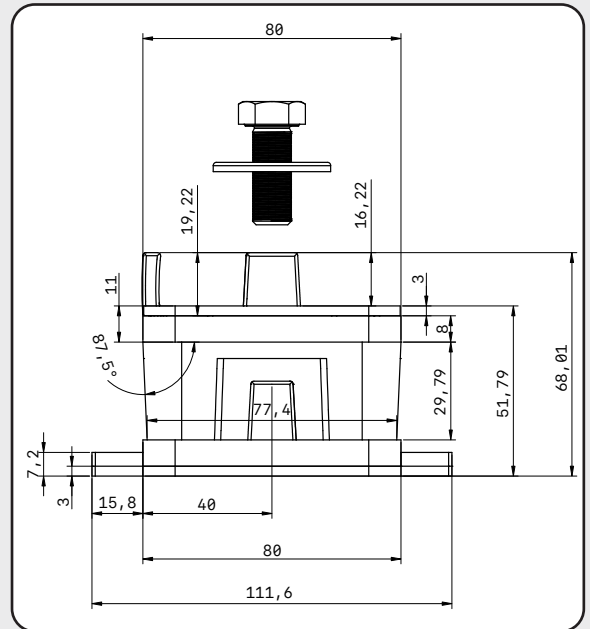
## RUBBER DAMPER WITH SIDE STABILIZERS BI 400 R Model

Manufacturer of **ANTIVIBRATION** systems

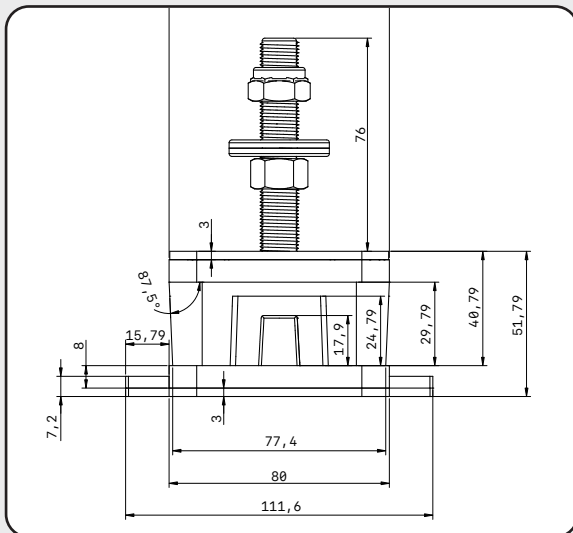
BI-400/R + PT1



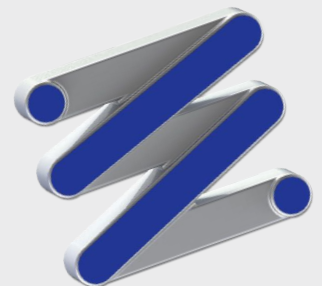
BI-400/R + PT2



BIE-400/R

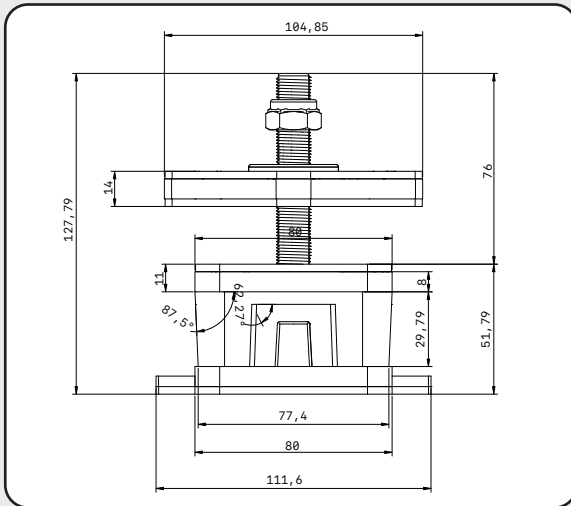


Drawing views **NOVELTY**  
MBS/BI-400 R Series

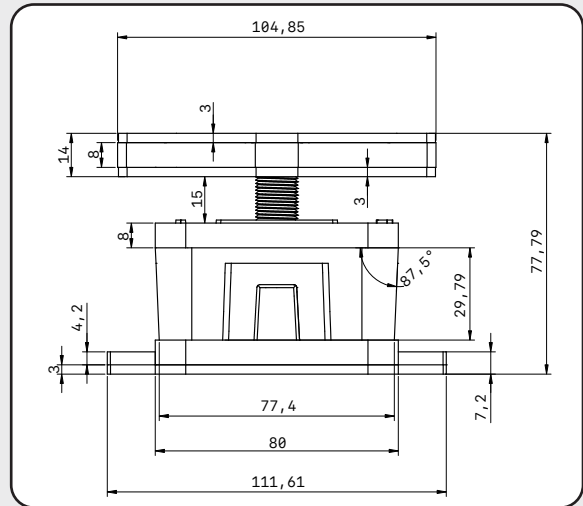


## RUBBER DAMPER WITH SIDE STABILIZERS BI 400 R Model

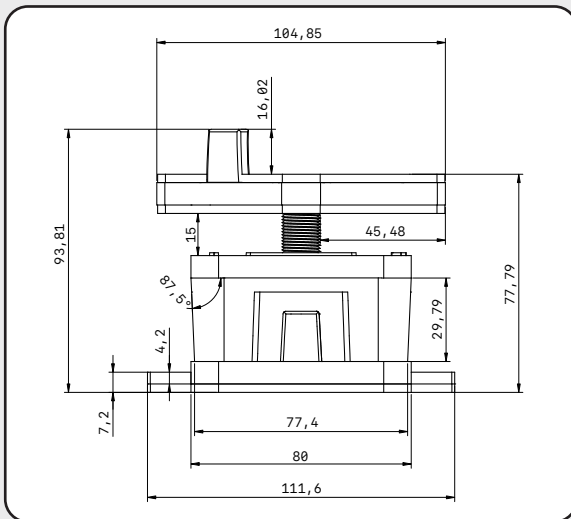
**BIRE-400/R**



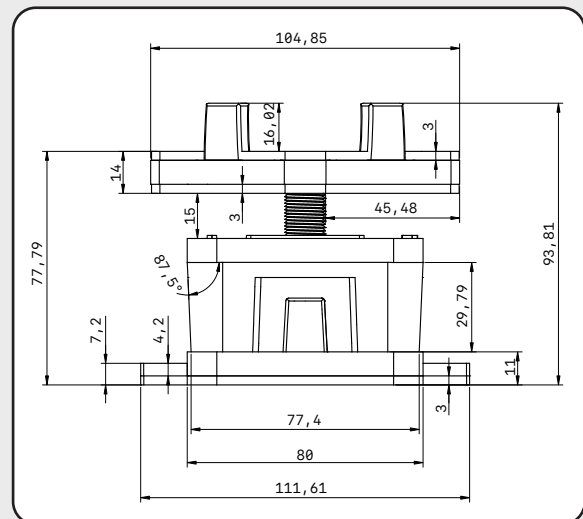
**BIR-400/R**



**BIR-400/R + PT1**



**BIR-400/R + PT2**



## RUBBER DAMPER WITH SIDE STABILIZERS BI 400 R Model



SENOR certifies:

MBS/BI 400 R Series : SEMI-INDUSTRIAL MACHINES

All our industry's products, **MACHINE ON THE GROUND**, to support machines on a metal structure or on the ground of **MBS/BI 400 R** series have a lifetime of 10 years, providing that the installation is carried out in ordinary environmental conditions and are not exposed to chemical components that could degrade the product.

The **MBS/BI 400 R** series strictly complies with UNE 100-153-88: air conditioning: **vibration insulators: design criteria.**

