



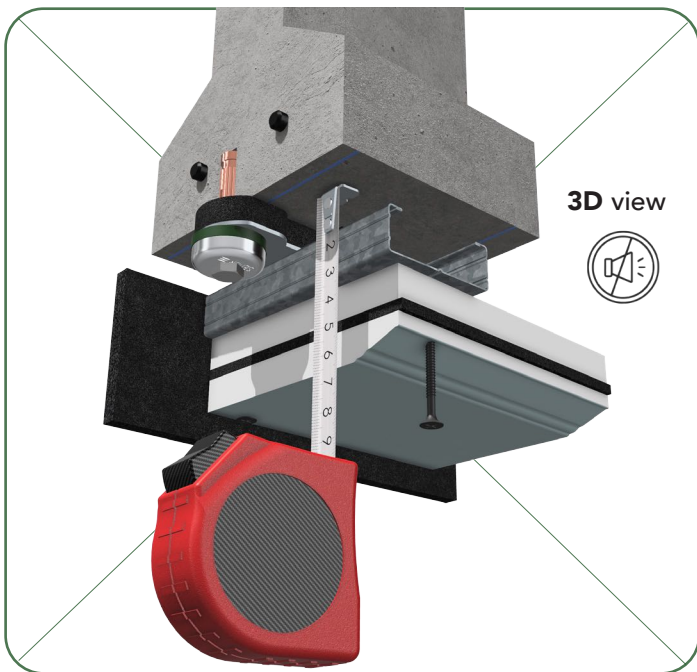
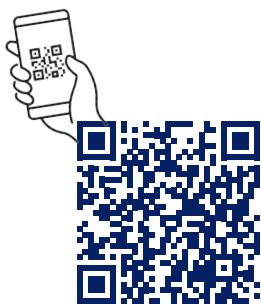
*SEÑOR Aisladores Acústicos



ANNOYING NOISES?

HERE IS THE SOLUTION

THE THINNEST **RUBBER** MOUNT FOR PROTECTION OF VIBRATIONS WITH
FIXATION **SUITABLE** FOR STEEL CHANNELS TYPE
TC-45/48



3D view

New
p.t.202230954

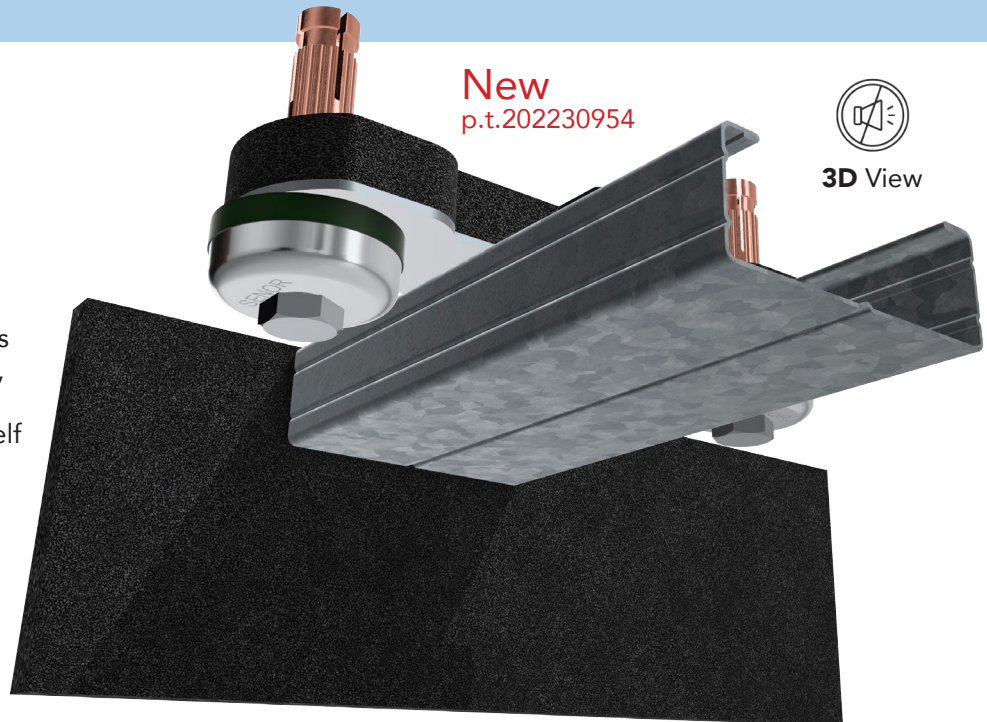
FTD-MINI 47 is the thinnest mount on the market, it is the present and future solution to soundproof small spaces.

Using it, acoustic ceilings are built with minimal effort, obtaining a lab-tested acoustic enhancement to airborne noise of more than **12 dB**.

Our engineers work every day to offer new **future alternatives**.

Product FTD-MINI 47

It is a **RUBBER** mount made with high quality materials. It allows soundproofing ceilings using channels such as **TC47**, **F-530**, **MAESTRA 47/17** or similar. It is capable by itself of reducing the space to a minimum with amazing **ALREADY TESTED** results.



New
p.t.202230954



3D View

WALL fastening system

SENOR has made it possible by applying the latest technologies in the vibro-acoustic sector. They are first generation mounts with double fixing to wall, consisting of: double acoustic core, manufactured using a renewed polymer that provides a higher performance to the clip.

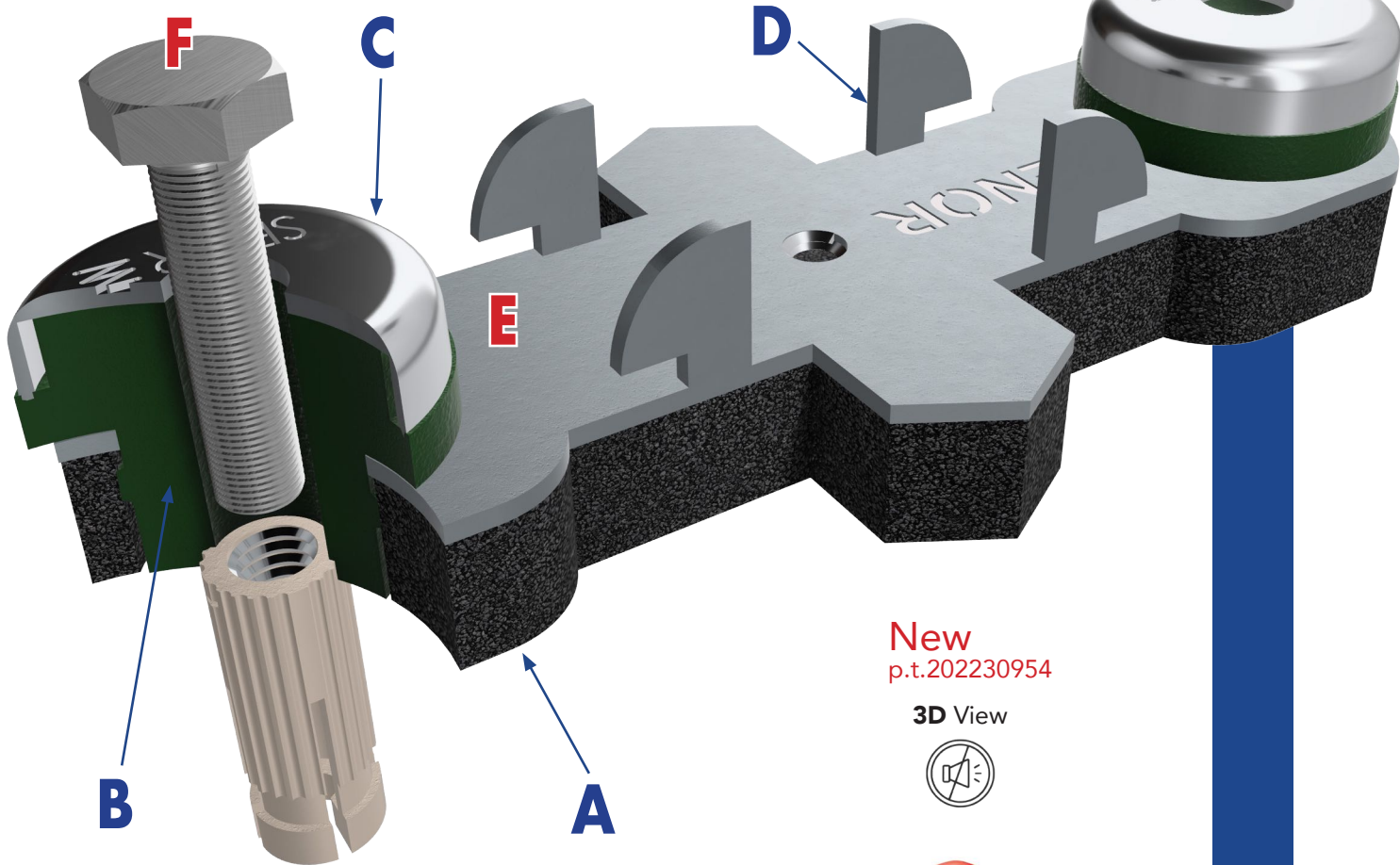


The **TC4/GPN** polymer presents a higher damping factor as well as a high degree of vibration isolation in the range of low, medium and high frequencies Hz. It also provides improvements in its internal mechanical properties and an acoustic performance increase of **>10%**.



REF. SE-FTD-MINI 47

SENOR ACOUSTIC Ceiling products



New
p.t.202230954

3D View



MAIN features

The mount **FTD MINI-47** incorporates a quick catch called **CLIP STOP (D)** providing this way quality and performance to the different finishes. It is a fast fastening for ceilings using metal ceiling channels such as **TC-45/48** mm width and **17 mm** height.

A: Acoustic band BEC-10: it is an acoustic microcellular sheet made of **EPDM CR-130** allows a better settlement of the clip on the original material of the ceiling, absorbing any small imperfection that the original facing may present, in addition to provide an optimal performance in the frequency range (Hz).

B: Rubber TC4/GPN: a renewed polymer with a protruding part, it prevents the possible contact between the screw **F** and the metallic components **E**. In addition, it provides a perfect settlement and an optimal performance in the mid/high frequency range (Hz).

C: Bowl-shaped piece: manufactured with **DC04** deep-drawn steel according to **EN 10131** steel standard and an edge thickness of 1.5 mm. This design allows to increase the mechanical resistance of the piece and guarantee the fixing process.

D: CLIP STOP: made of **Dx54d + Z140** high performance galvanized steel with an edge thickness of 1.5 millimetres. It is a simple piece. Safety and Fast is now possible!

E: Steel plate FTD: made of **Dx54d + Z140** high performance galvanized steel with an edge thickness of **1.5 millimetres**. It provides rigidity to the system and axial compression in both directions to the elastics components of the product.

F: Safety device: Steel screw. It is available in several types depending on the fixation plug. **(It is NOT included with the mount).**

REF. SE-FTD-MINI 47

SEÑOR ACOUSTIC Ceiling products

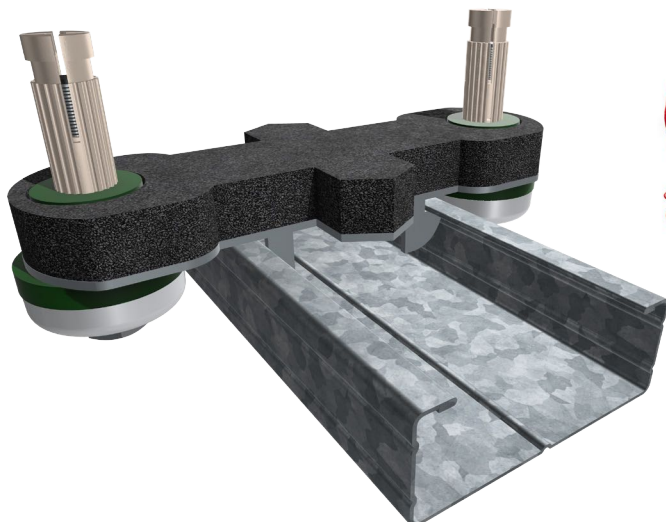
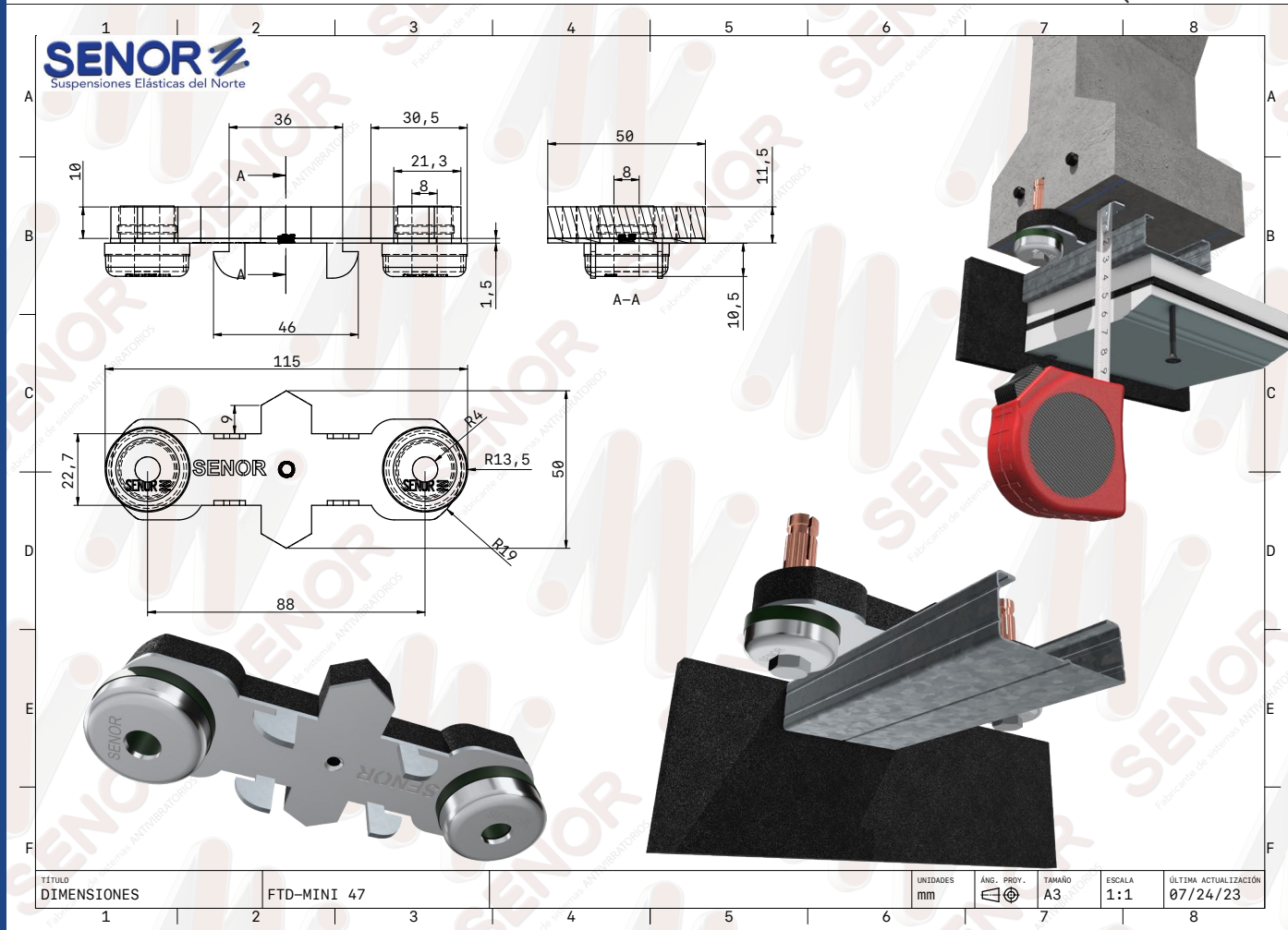


3D View

New
p.t.202230954

Dimensions **FTD-MINI 47**

REF	COLOUR	METRIC MIN-MAX	PROFILE (mm)	LOAD Kg MIN-MAX
SE-FTD MINI/47		-	45/48	3 - 25



New
p.t.202230954

3D View



Excellent performance!

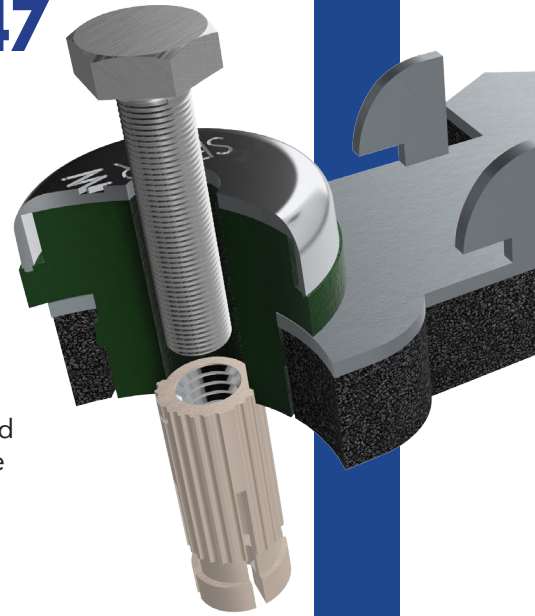
It is an ideal mount for acoustic ceilings.
Get ride of noises!

REF. SE-FTD-MINI 47

SENOR ACOUSTIC Ceiling products

New
p.t.202230954

3D View

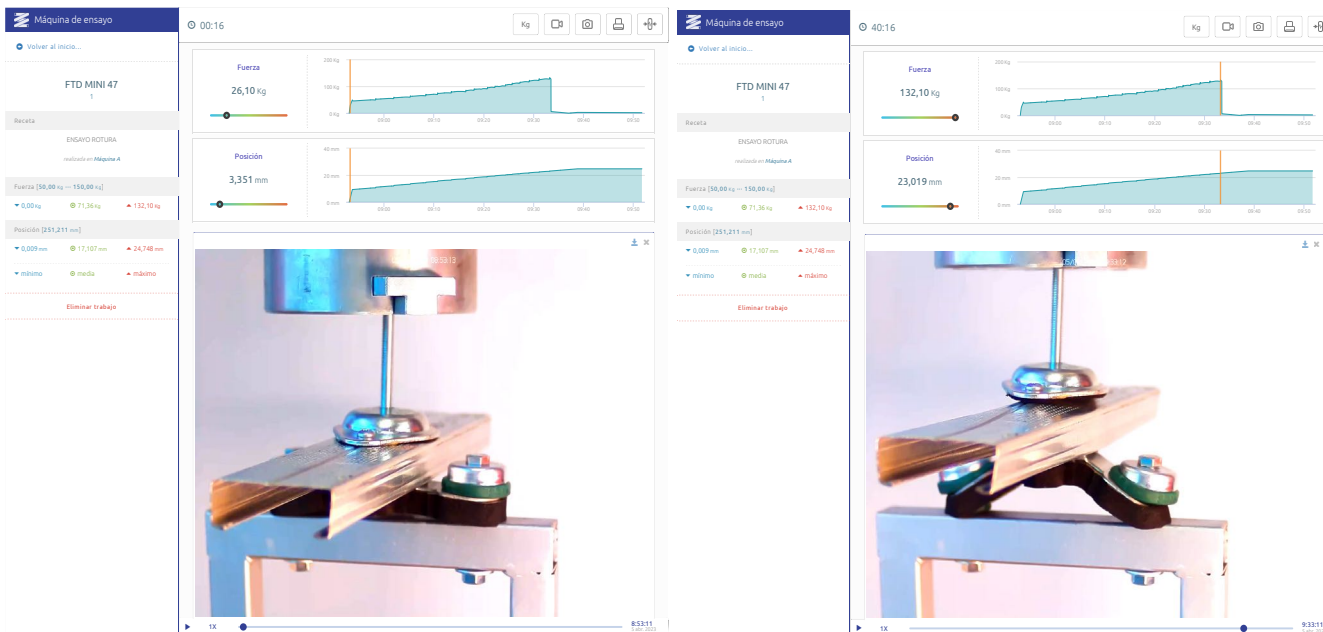


DEFORMATION Test

Date: April, 5 2023

Failure mode: The plate of FTD exceeds the elastic limit by reaching **68,56 kg**. A higher load is applied and when **132,10 kg** are reached the profile is detached from the piece and the test is concluded and the strength line go down until the **10,80 kg**.

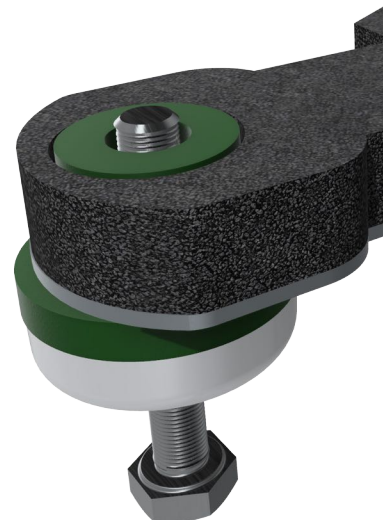
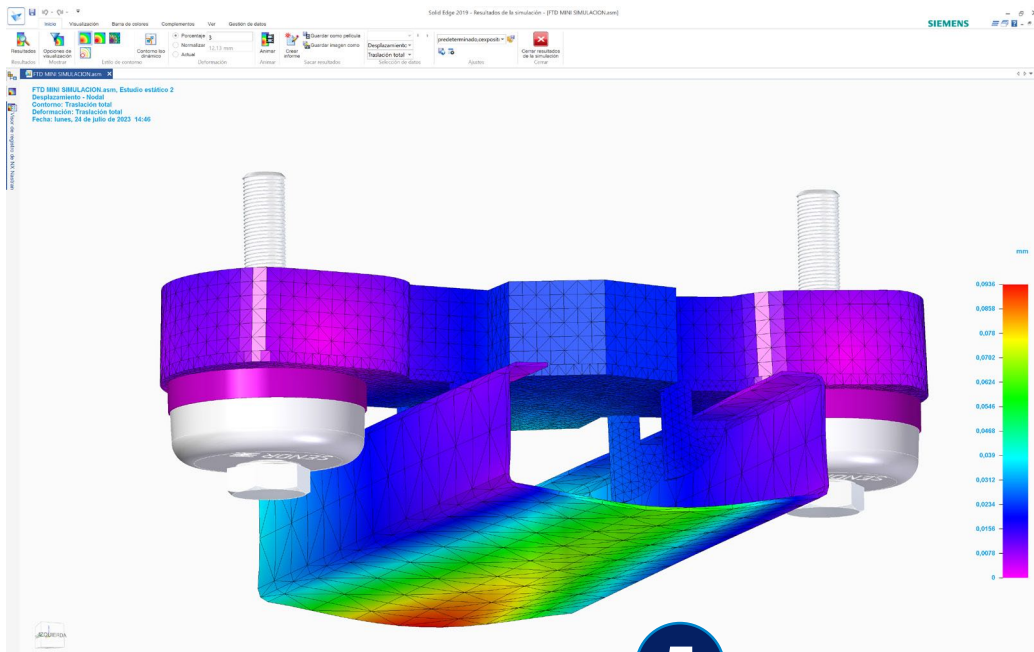
It strictly complies with **UNE-EN 13964:2016/A1** due to it is a mount for loads between **3 up to 25 kg** of maximum load.



UNE-EN ISO 10846-1:2009

Acoustic and vibrations:

Laboratory measurement of vibro-acoustic transfer properties of the elastic elements.



REF. SE-FTD-MINI 47

SENR ACOUSTIC Ceiling products

Results: AXIAL COMPRESSION

LOAD (Kg)	DEFORMATION (mm)	R.FREQUENCY (Hz)	SWEEP (mm)		% SOUNDPROOFING LEVEL (mm)	
3	1,45	12,01	25	50	70,00	93,88
8	1,95	11,00	25	50	75,99	94,91
14	2,43	9,66	25	50	82,45	96,12
20	2,89	8,40	25	50	87,27	97,10
26	3,35	8,85	25	50	85,67	96,77

KRAIBURG TPE

Data sheet

TC4GPN (GP/FG Series)

THERMOLAST® K

Product properties

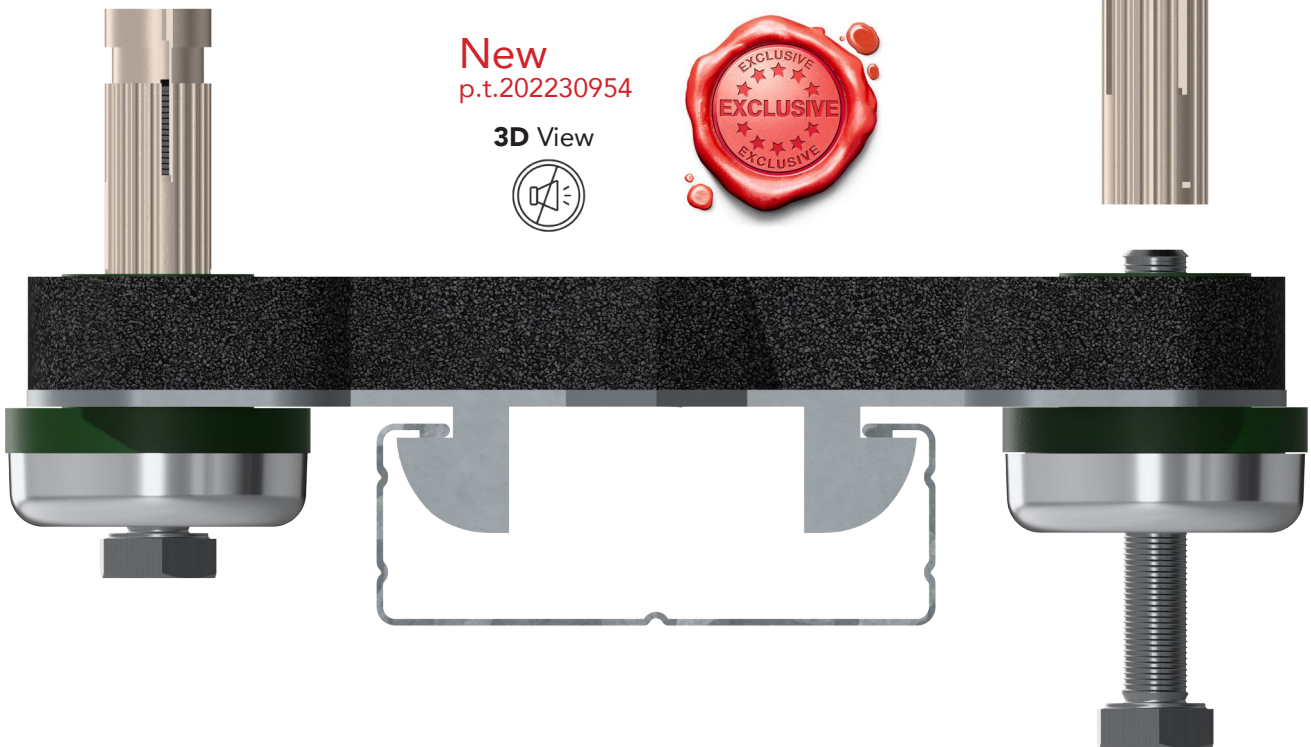
Name	TC4GPN	
Series	GPFG	
Colour / RAL DESIGN	Natural	

Mechanical properties

Hardness	39 +- 5 ShoreA	DIN ISO 7619-1
Density	1.100 g/cm3	DIN EN ISO 1183-1
Tensile strength ¹	6.5 MPa	DIN 53504/ISO 37
Elongation at break ¹	800 %	DIN 53504/ISO 37
Tear resistance	14.0 N/mm	ISO 34-1 Methode B (b)(Graves)
CS 72 h/23 °C	12 %	DIN ISO 815-1 Method A
CS 24 h/70 °C	23 %	DIN ISO 815-1 Method A
CS 24 h/100 °C	59 %	DIN ISO 815-1 Method A

¹ Deviating from ISO 37 standard test piece S2 is tested with a traverse speed of 200 mm/min.

All values published in this data sheet are rounded average values.



New
p.t.202230954

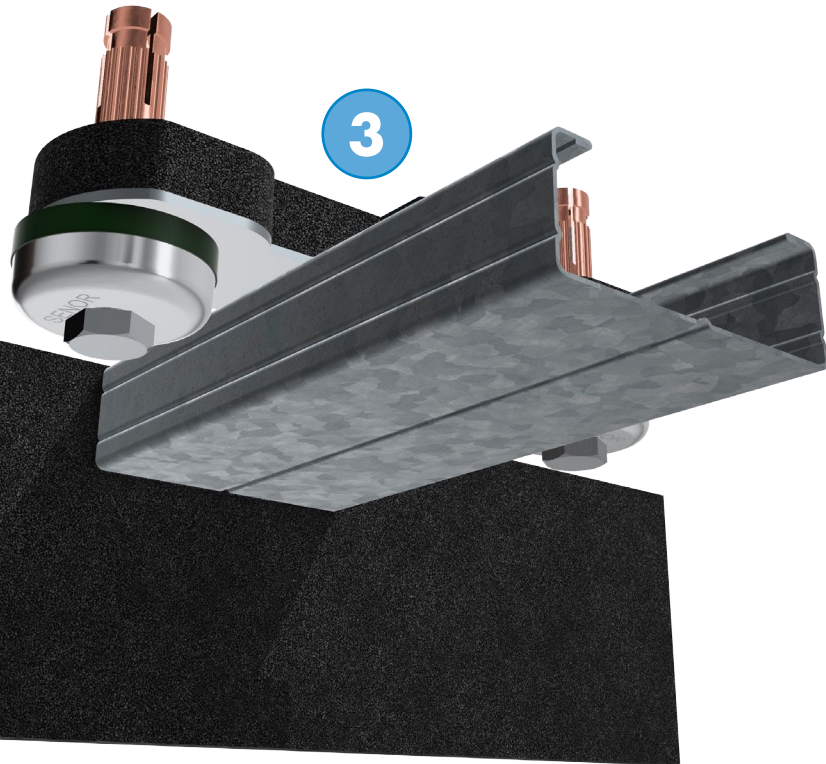
3D View



ANNOYING NOISES?

HERE IS THE SOLUTION

THE THINNEST **RUBBER** MOUNT FOR PROTECTION OF VIBRATIONS WITH
FIXATION **SUITABLE** FOR STEEL CHANNELS TYPE
TC-45/48



Installation guide

New
p.t.202230954

3D View

