

## 9600/TBM2 MODEL

### HYBRID ACOUSTIC MOUNT FOR DOUBLE STUD PARTITION SYSTEM

The 9600 model is designed to be used in double stud partition systems in buildings with low frequencies (cinema, pubs, disco, industry rooms, etc.)

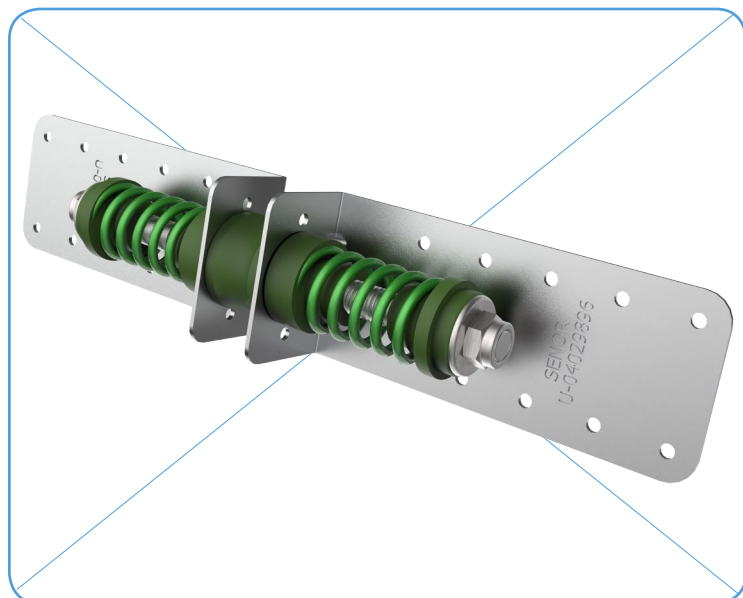
Its main purpose is to isolate the vibrations of partition walls. This wall mount works as follows: Brackets work freely during rubber and spring deformation in both directions. In this way, the polymer works always in axial compression. The technical features are the following:

- Antivibration system combines steel spring, providing a great low frequencies soundproofing and a rubber which provides enough damping to the system.

- Metal brackets with 10 holes which enables the wall mount fastening to the metal frame in several positions, depending on the distance and the air chamber thickness.

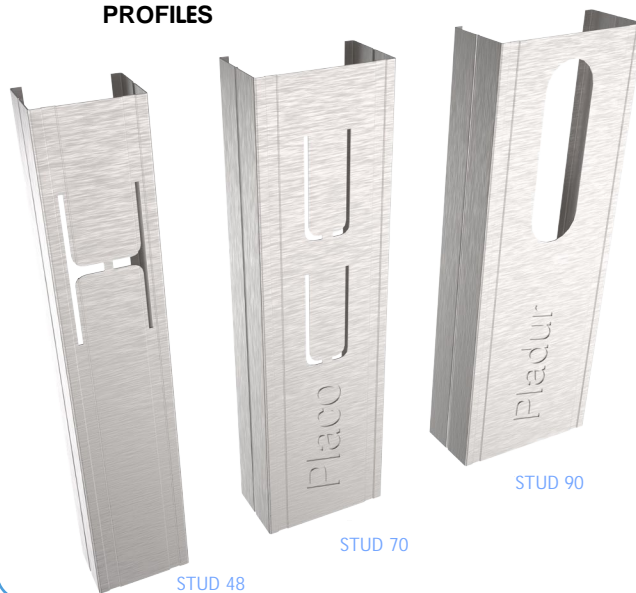
- SAFETY DEVICE composed of a metal shaft and two washers. In case of fire the polymers become disintegrated, but the safety device keeps the metal fastening avoiding the partition wall collapse.

\*Product registered in the Spanish Patents and Trademarks Office.

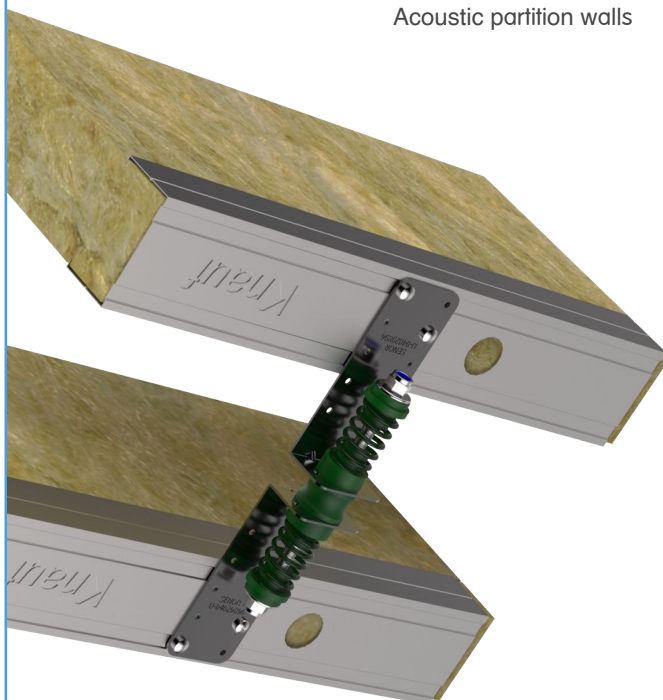


REF.	MODEL	THICKNESS (mm)	PROFILE	PACKING
SE-9600/TBM2	9600	1,5	STUD	25 U/B

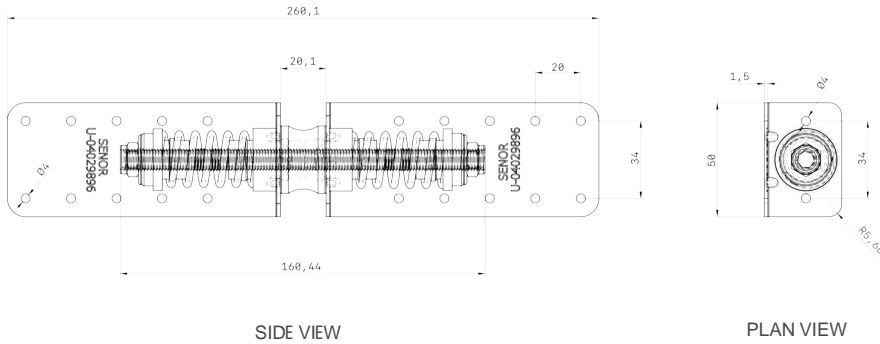
#### PROFILES



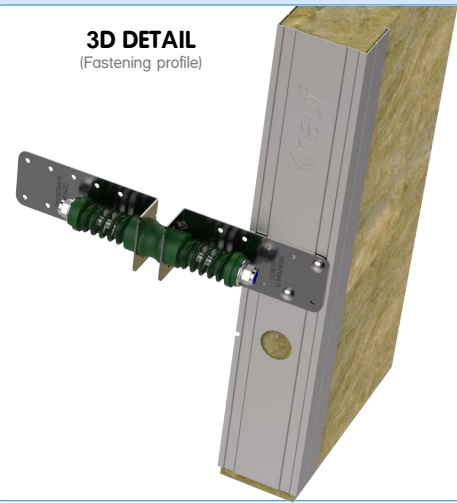
#### USES Acoustic partition walls



### DRAWING VIEWS 9600/TBM2



### 3D DETAIL (Fastening profile)

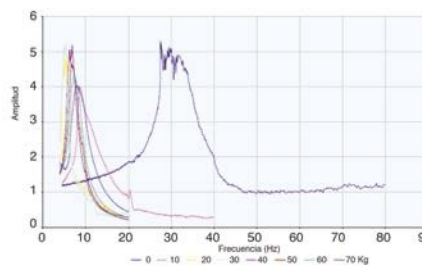


### DYNAMIC LOADS

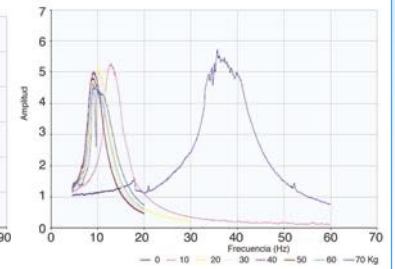
CHART

LOAD (Kg)	SWEEP (Hz)	RESONANCE FREQUENCY (Hz)	RESONANCE AMPLIFICATION	SOUNDPROOFING DEGREE (%)
0	0-30	27,52	5,31	-430,92
10	0-30	7,54	4,02	93,26
20	0-30	5,53	5,13	96,48
30	0-30	4,28	5,22	97,92
40	0-30	5,82	5,19	96,09
50	0-30	6,69	4,68	94,77
60	0-30	7,22	4,33	93,86
70	0-30	7,79	4,03	92,77

SE-9600/TBM2 (TRACTION)



SE-9600/TBM2 (COMPRESSION)



### INSTALLATION



1



2



3



4