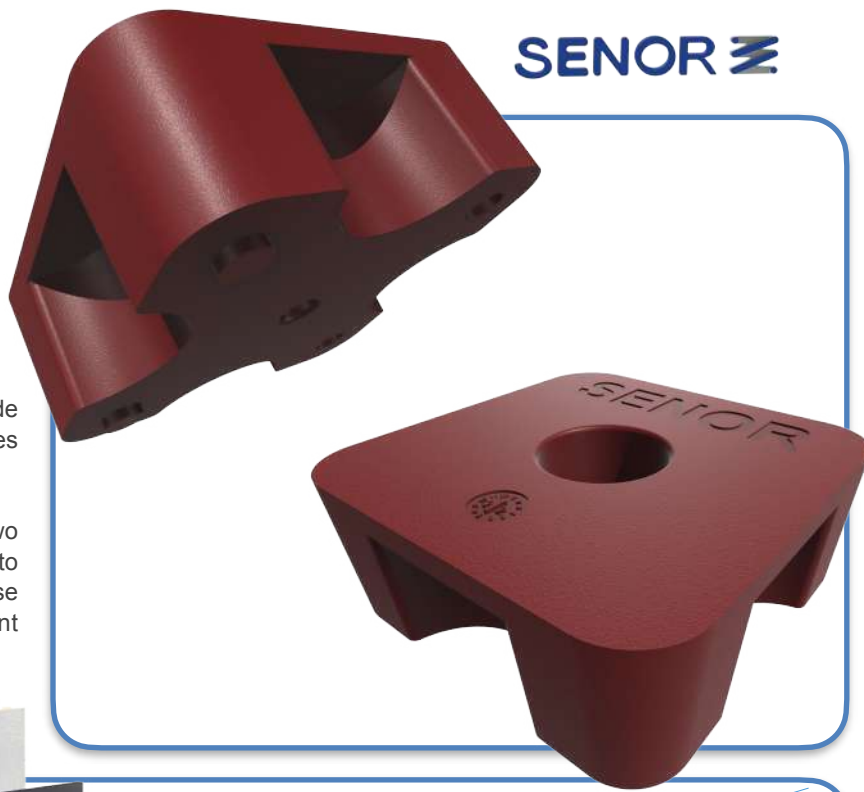


TS-80 R 400

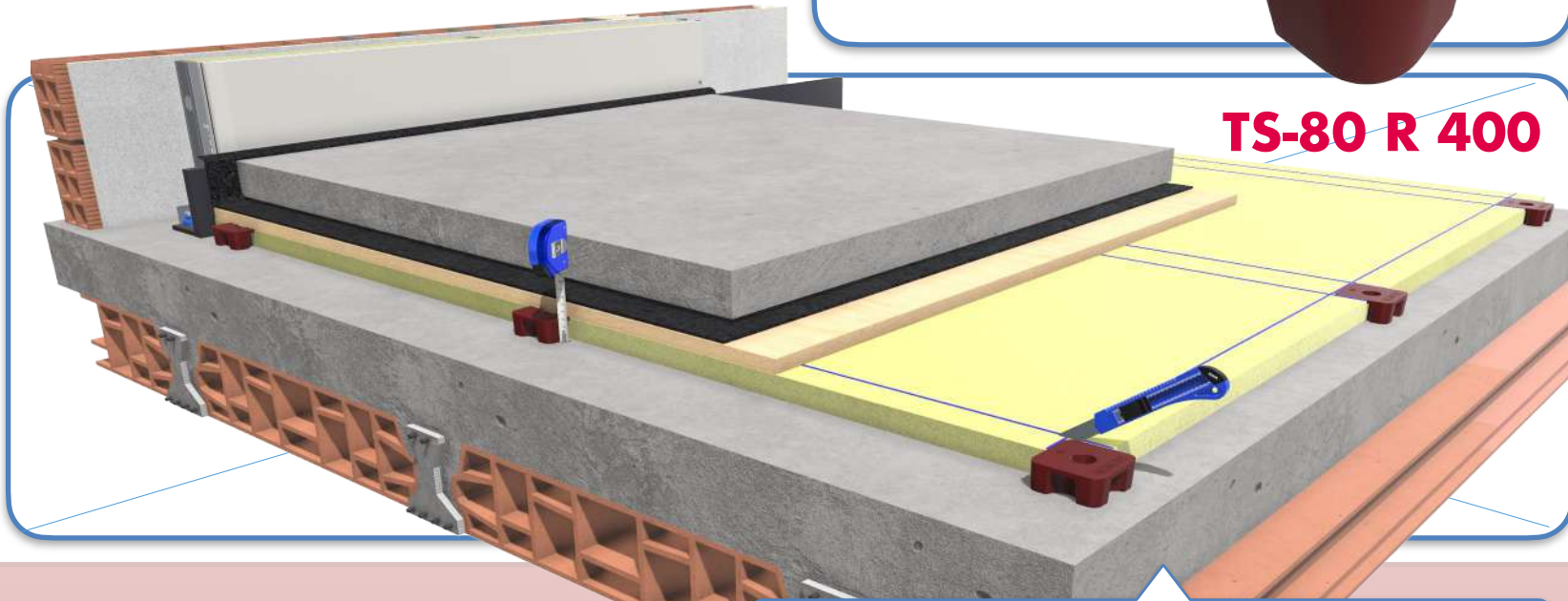
RUBBER MOUNT WITH RESTRAINT SYSTEM FOR ACOUSTIC FLOORS OR INERTIA BASES

This model is a **RUBBER** wall mount for acoustic floors devised to provide quality to any given acoustic system and to eradicate sound frequencies and vibrations.

The **SE-TS-80 R 400** includes a **PATENTED** restraint system (two protrusions in its base) which limits the movement making sure the grip to the floor. It is designed in the shape of trapezium with **X** shaped base improving the elasticity of the system and proving an excellent performance in the soundproofing field.



TS-80 R 400



Suggested use: rubber mount for acoustic floors under **concrete slab**. This type of polymer has a better damping result than other rubbers such as polyurethane, polystyrene, EPDM, among others.

REF.	COLOUR	THICKNESS (mm)	USES	LOAD (kg) MIN-MAX	PACKING (units)
SE-TS-80 R 400		30	Acoustic floors	270 - 400	16 - 50



I+D+i

*This product has been registered in the

Spanish Patents and Trademarks Office

Quality of the polymer:

● Polymer: **KRAIBURG-TPE - TC5/EXN** (tested according to the Standard UNE-EN ISO 10846-1:2009).

✓ Resonance frequency: **7-15 Hz**

✓ Recommended load range: **270 kg - 400 kg.**

Ref. SE-TS-80 R 400

Predicción de Impacto Sonoro (v8.0.1)

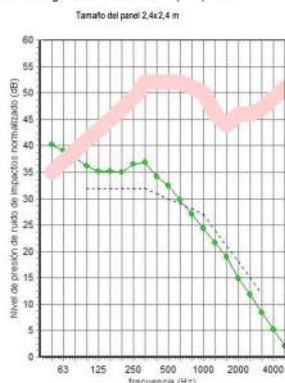
Derechos de autor del programa: Marshall Day Acoustics 2014

- Key No. 6719

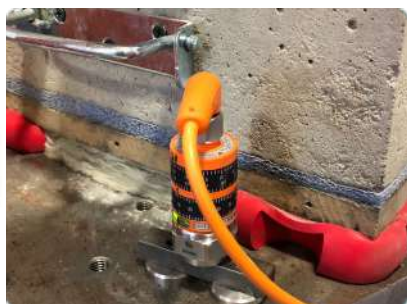
Margen de error de Predicción de Impacto Sonoro está generalmente entre $L_{n,w} \pm 5$ dB



frecuencia (Hz)	Ln(dB)	Ln(dB)
50	40	
63	39	44
80	38	
100	36	
125	35	40
160	35	
200	35	
250	37	41
315	37	
400	34	
500	32	37
630	30	
800	27	
1000	24	30
1250	22	
1600	19	
2000	15	21
2500	12	
3150	8	
4000	5	11
5000	2	



$L_{n,w}$ 30 dB
 C_1 0 dB



Laboratory test UNE-EN ISO 10846-1:2009

STATIC LOAD DEFORMATION



Axial compression results

LOAD (Kg)	DEFORMATION (mm)	RESONANCE FREQUENCY (Hz)	SWEEP (Hz)		SOUNDPROOFING LEVEL (%)	
275	5,51	9,50	25	50	83,12	96,25
300	6,02	9,25	25	50	84,14	96,46
325	6,56	8,05	25	50	88,43	97,34
350	7,05	7,90	25	50	88,91	97,44
375	7,56	8,30	25	50	87,61	97,17
400	8,22	9,25	25	50	84,14	96,46



Datasheet

TC6EXN

THERMOLAST® K

Product

Compound TC6EXN

Color / RAL Rojo

Processing Extrusion, Injection

Mechanical

Hardne 58° + 5° Shore A DIN ISO 7619-1

Density 1.190 g/cm³ DIN EN ISO 1183-1

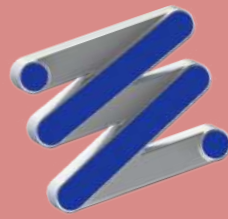
Tensile Strength¹ 7.0 MPa DIN 53504/ISO 37

Elongation at Break¹ 675 % DIN 53504/ISO 37

Tear Resistance 19.0 N/mm ISO 34-1 Methode B (b)

¹ Deviating from ISO 37 standard test piece S2 is tested with a traverse

All values published in this data sheet are rounded average values.



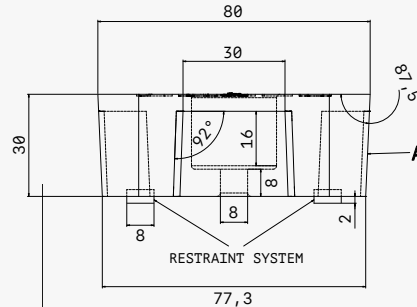
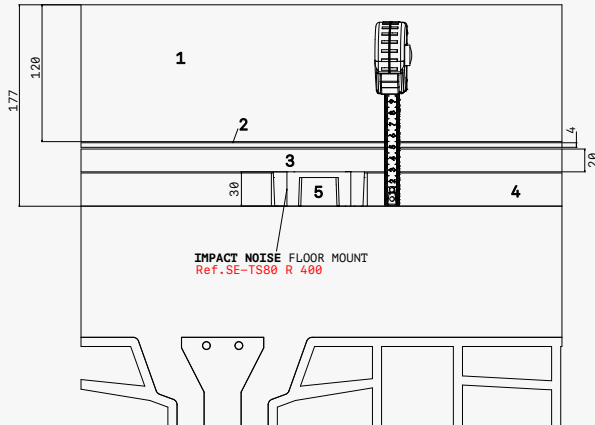
1º- Concrete slab **HA-20** 15x15x10 with a thickness of 120 cm .
Density: >2450 kg/m³.

2º- **ViscoLAM-65** with a thickness of 4 mm. Density: <1650 kg/m³.

3º- **MDF Board** with a thickness of 19 mm. Density:>650 kg/m³.

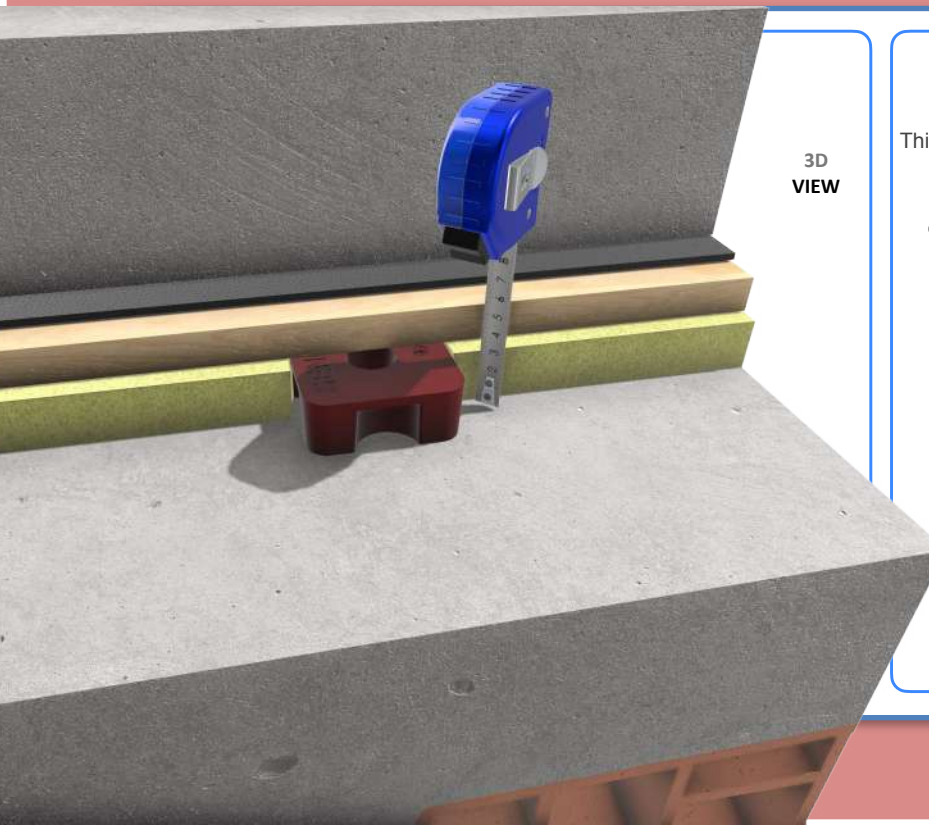
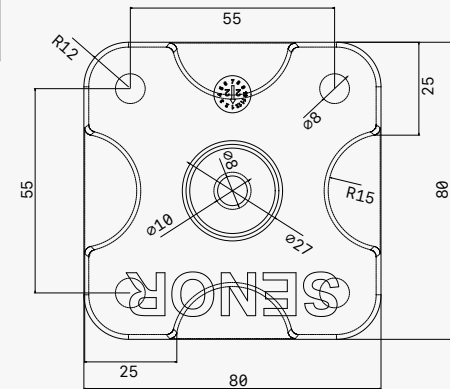
4º- Mineral wool (Arena APTA) with thickness of 30 mm. Density < 30 kg/m³.

5º- **TS-80 R 400**.



FRONT
VIEW

PLANT
VIEW

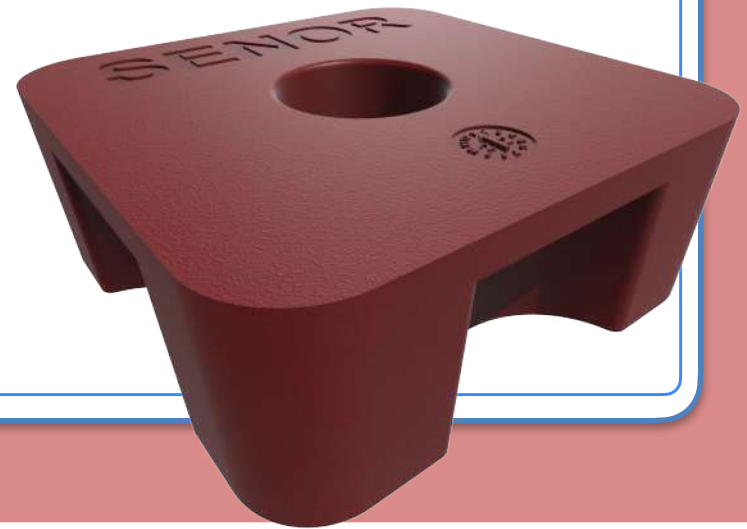


3D
VIEW

MATERIALS

This acoustic mount is composed of:

- A: The polymer: **KRAIBURG-TPE - TC6-EXN**. Hardness: 58 +/- 5° SHORE A. Colour: **red**. Hardness according to the standard ISO 48-4 o DIN ISO 7619-1



Ref. SE-TS-80 R 400

Installation

