

CONSTRUCTION Catalogue

2021

HYBRID HANGER WITH
DIRECT FASTENING TO **C** PROFILES or **STUD**

Ref. SE-MSN-90 R 120

SE-MSN-90 R 120
Patented

SEÑOR

CONSTRUCTION Catalogue 2021

HYBRID HANGER WITH DIRECT FASTENING TO **C** PROFILES or **STUD**

Ref. SE-MSN-90 R 120

Introduction

A **DIFFERENT** and **PROFESSIONAL** hanger.
Higher performance in the least space.
They are **HYBRID** hangers with locking stops (**ID**)
and a perfect installation to profiles **C** or **STUD**.

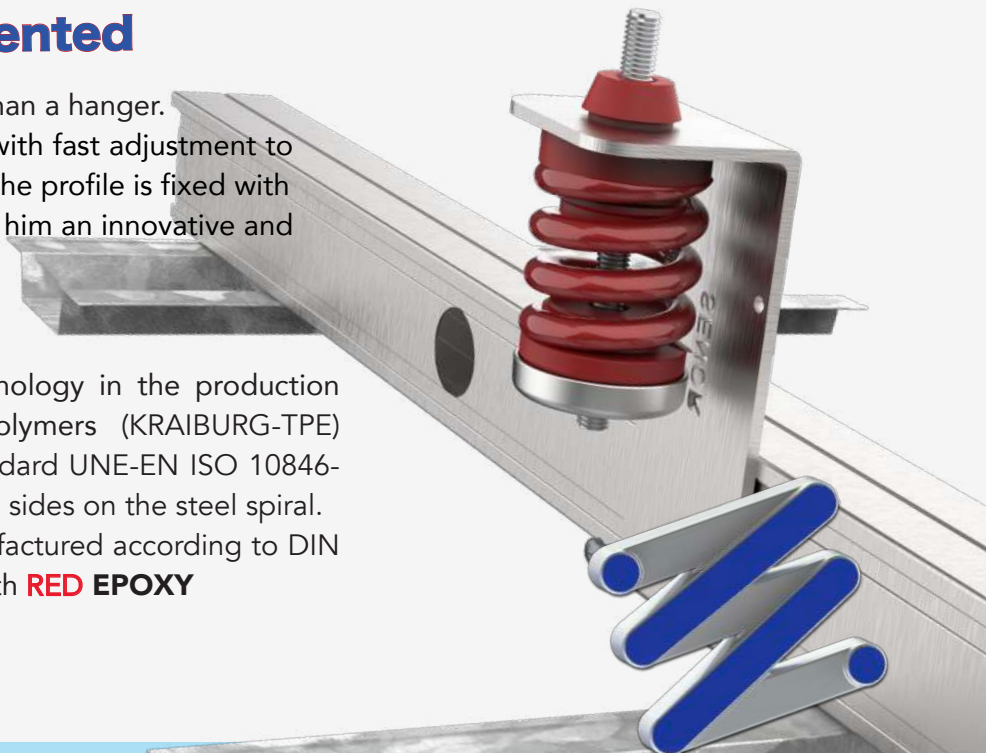
MSN-90 R 120 is manufactured with high
performance and renovated raw material
providing improvements in
the vibro-acoustic field.

Patented

MSN-90 R 120 is more than a hanger.
It is an acoustic hanger with fast adjustment to
first profile **C** or **STUD**. The profile is fixed with
a simple gesture making him an innovative and
unique product.

We use the latest technology in the production
such as: renovated polymers (KRAIBURG-TPE)
tested according to standard UNE-EN ISO 10846-
1:2009 and placed in the sides on the steel spiral.
The steel spring is manufactured according to DIN
2095 UNE EN 10270, with **RED EPOXY**
treatment.

Manufacturer of **ANTIVIBRATION** systems



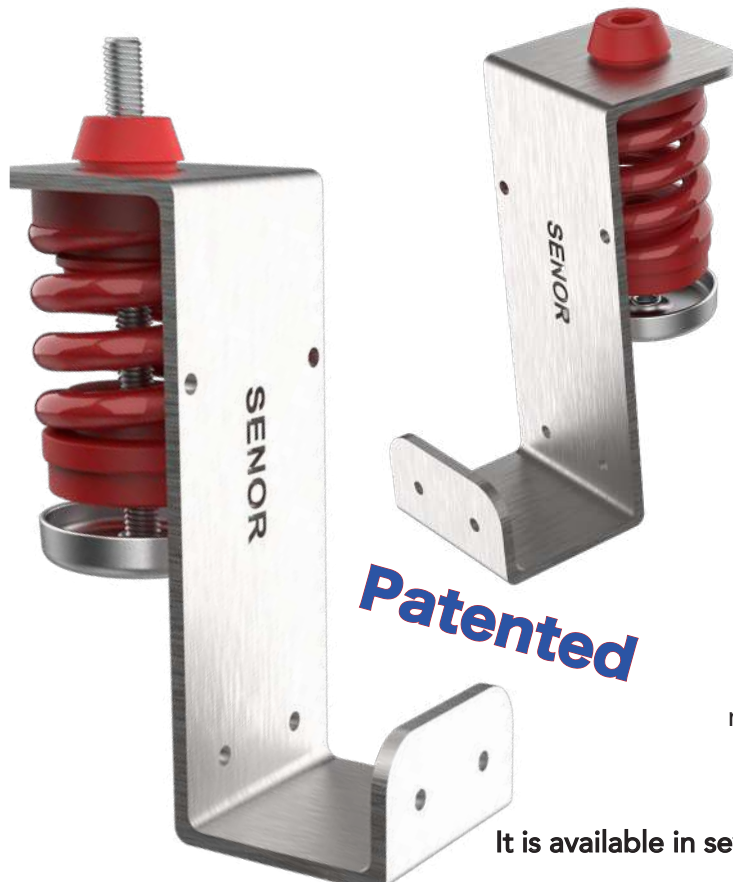
*SEÑOR Aisladores Acústicos



CONSTRUCTION Catalogue 2021

HYBRID HANGER WITH DIRECT FASTENING TO C PROFILES or STUD

Ref. SE-MSN-90 R 120



ACOUSTIC / HYBRID Ceiling

STEEL SPRING: it provides a high level of insulation to vibrations in the range of **low/medium** frequencies (Hz).

RENOVATED POLYMERS: they have a better damping factor and a higher degree of insulation to vibration in the range of **medium/high** frequencies (Hz).

COMBINATION: the combination makes possible launch onto the market the best hanger of the moment and reduce the vibrations in the range of exciter frequencies.

It is available in several metrics: 6, 8 and 10.

LOAD RANGE (KG)

It is recommended to loads between **30 kg** and **75 kg** of maximum load.
(Strongly recommended not to exceed this limit in order to prevent overstressing the polymer).

RESONANCE frequency: **3-7 Hz**.

CONSTRUCTION Catalogue

2021

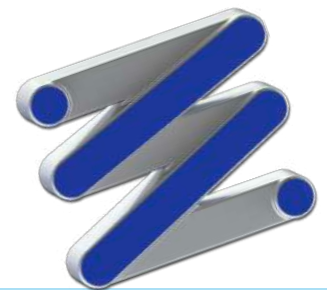
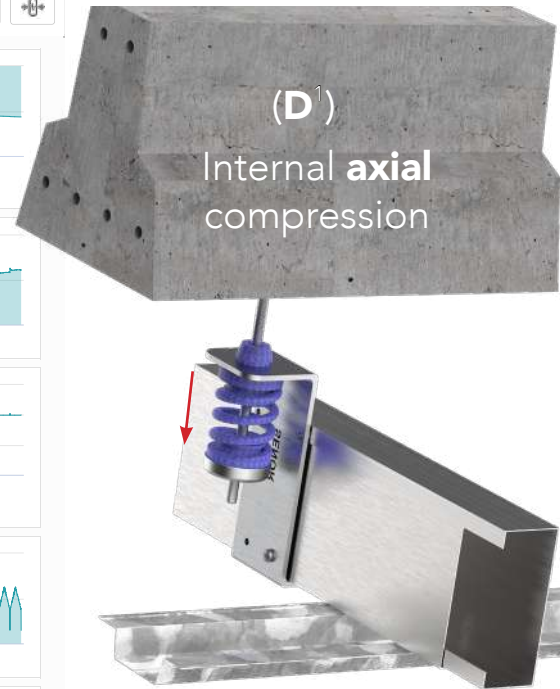
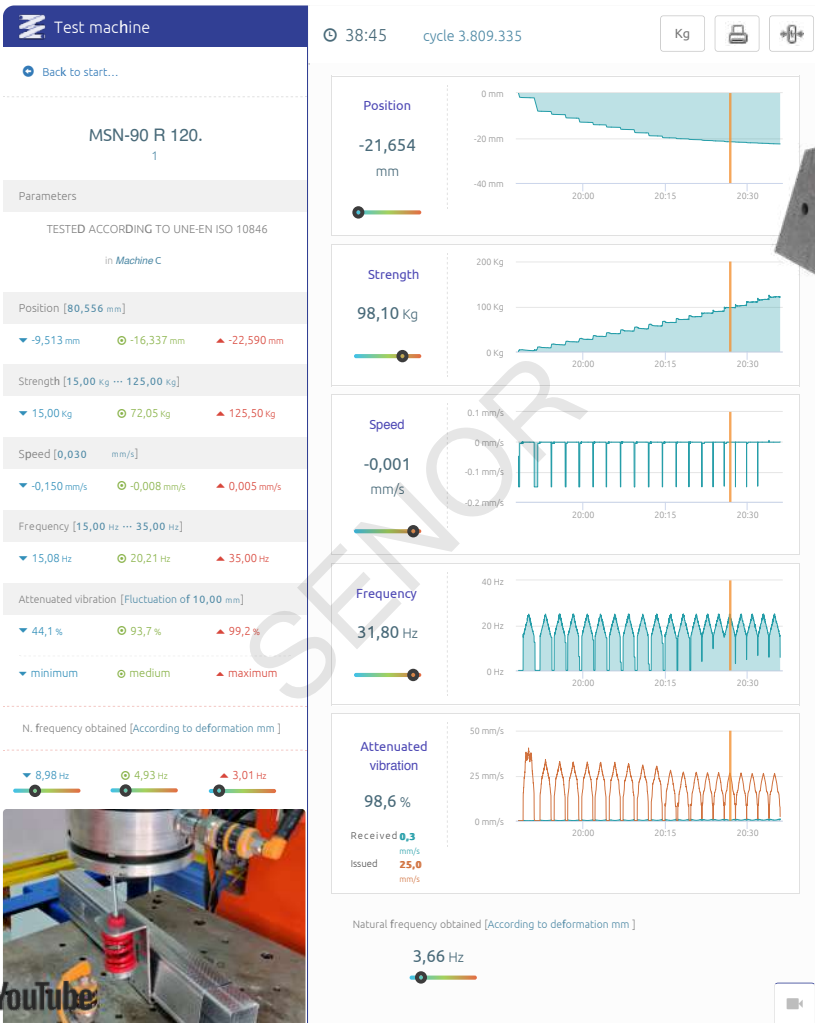
HYBRID HANGER WITH DIRECT FASTENING TO C PROFILES or STUD

Ref. SE-MSN-90 R 120

Laboratory tests carried out according to UNE-EN ISO 10846-1:2009

Acoustic and vibration. Measurement in the laboratory of vibro-acoustic transfer properties of elastic elements.

Manufacturer of ANTIVIBRATION systems





CONSTRUCTION Catalogue 2021

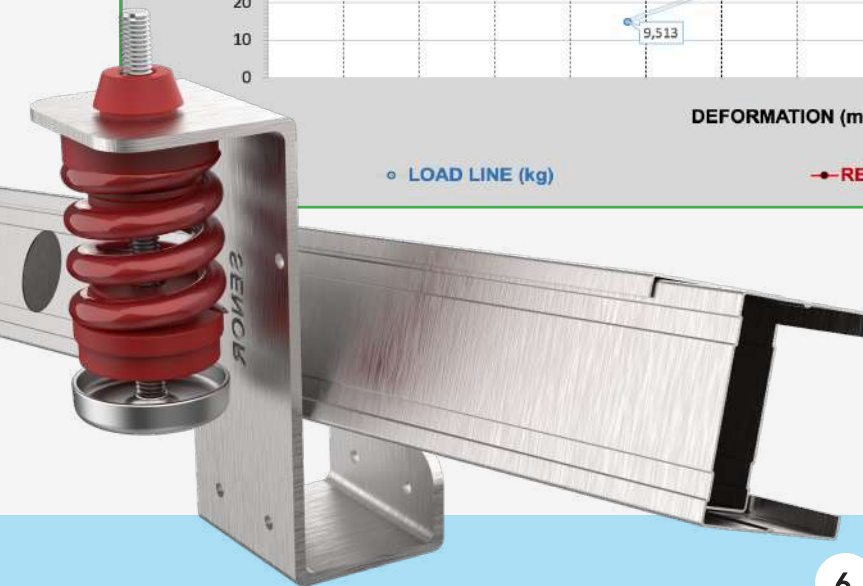
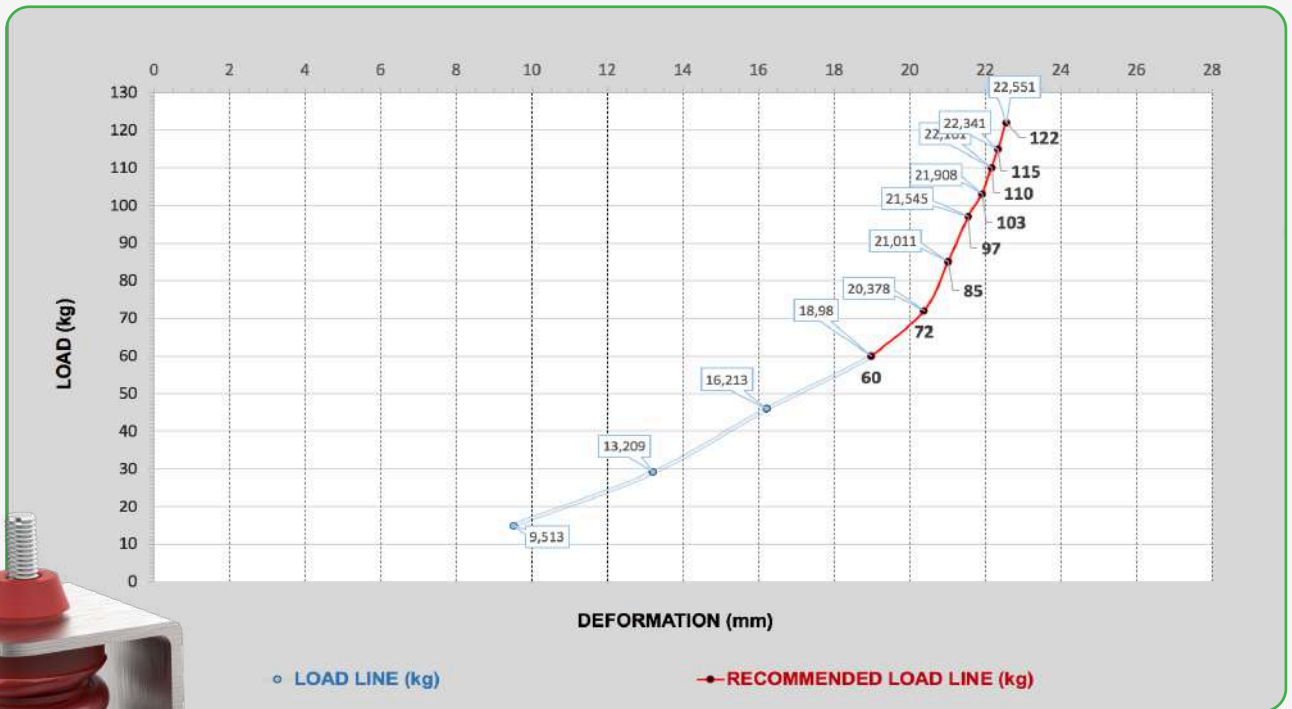
HYBRID HANGER WITH DIRECT FASTENING TO C PROFILES or STUD

Ref. SE-MSN-90 R 120

LABORATORY RESULTS

Chart 1

ACOUSTIC / HYBRID Ceiling



RED RUBBER & SPRING:
Available references

- 1° SE-MSN-90 R 120/M6.
- 2° SE-MSN-90 R 120/M8.
- 3° SE-MSN-90 R 120/M10.

CONSTRUCTION Catalogue 2021

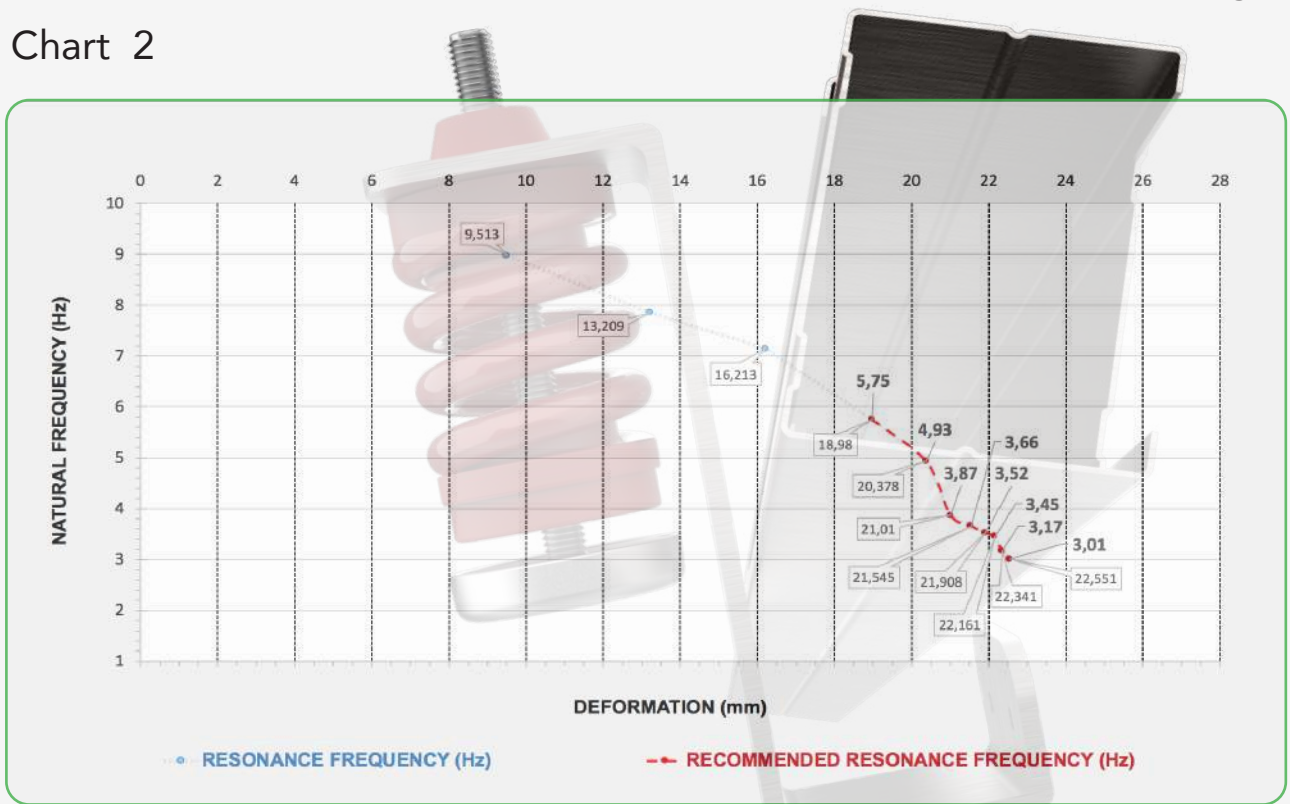
HYBRID HANGER WITH DIRECT FASTENING TO C PROFILES or STUD

Ref. SE-MSN-90 R 120

Manufacturer of **ANTIVIBRATION** systems

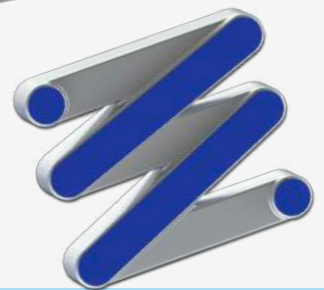
ACOUSTIC / HYBRID Ceiling

Chart 2



Ref. SE-MSN-90 R 120

Patented



*SENOR Aisladores Acústicos



CONSTRUCTION Catalogue 2021

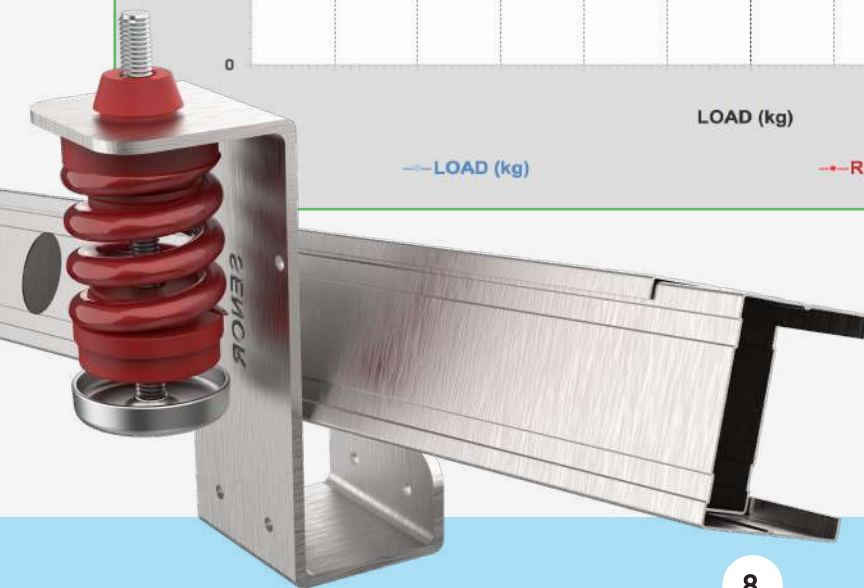
**HYBRID HANGER WITH
DIRECT FASTENING TO C PROFILES or STUD**

Ref. SE-MSN-90 R 120

LABORATORY RESULTS

Chart 3

ACOUSTIC / HYBRID Ceiling



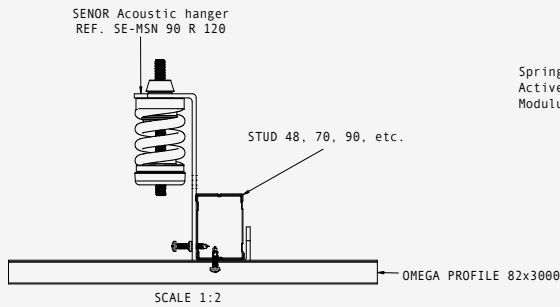
**Ref. SE-MSN-90 R 120
Patented**

CONSTRUCTION Catalogue 2021

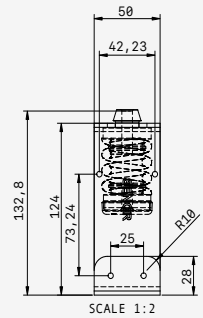
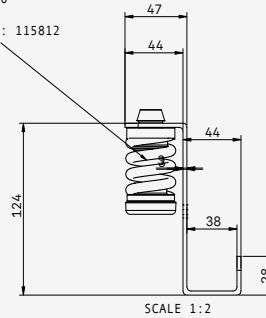
HYBRID HANGER WITH DIRECT FASTENING TO C PROFILES or STUD

Ref. SE-MSN-90 R 120

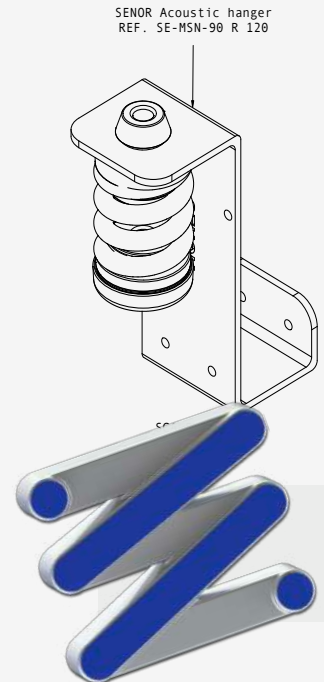
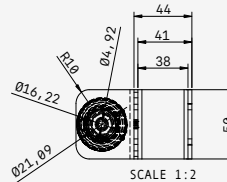
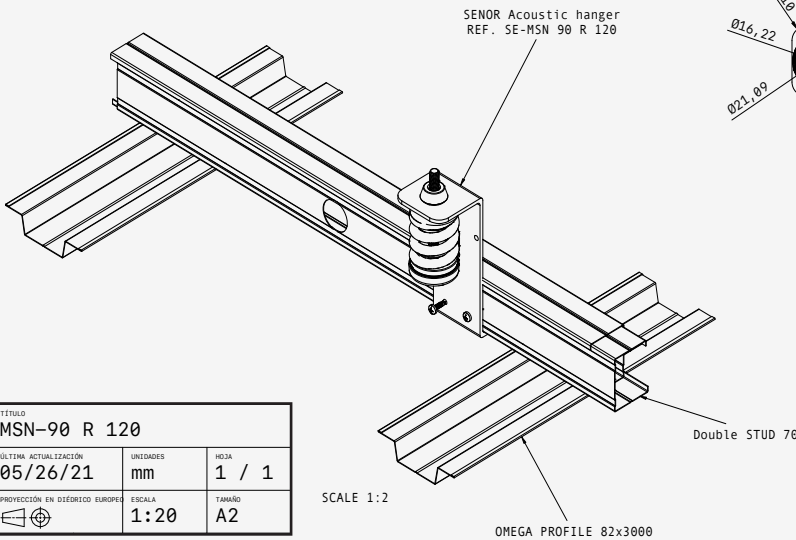
DRAWING VIEWS



Spring diameter: 5.6
Active coils: 4,0
Modulus of rigidity: 115812



SE-MSN-90 R 120
Patented



TÍTULO MSN-90 R 120		
ÚLTIMA ACTUALIZACIÓN 05/26/21	UNIDADES mm	Hoja 1 / 1
PROYECCIÓN EN DISEÑO EUROPEO	ESCALA 1:20	TAMANO A2



*SE-MSN Aisladores Acústicos

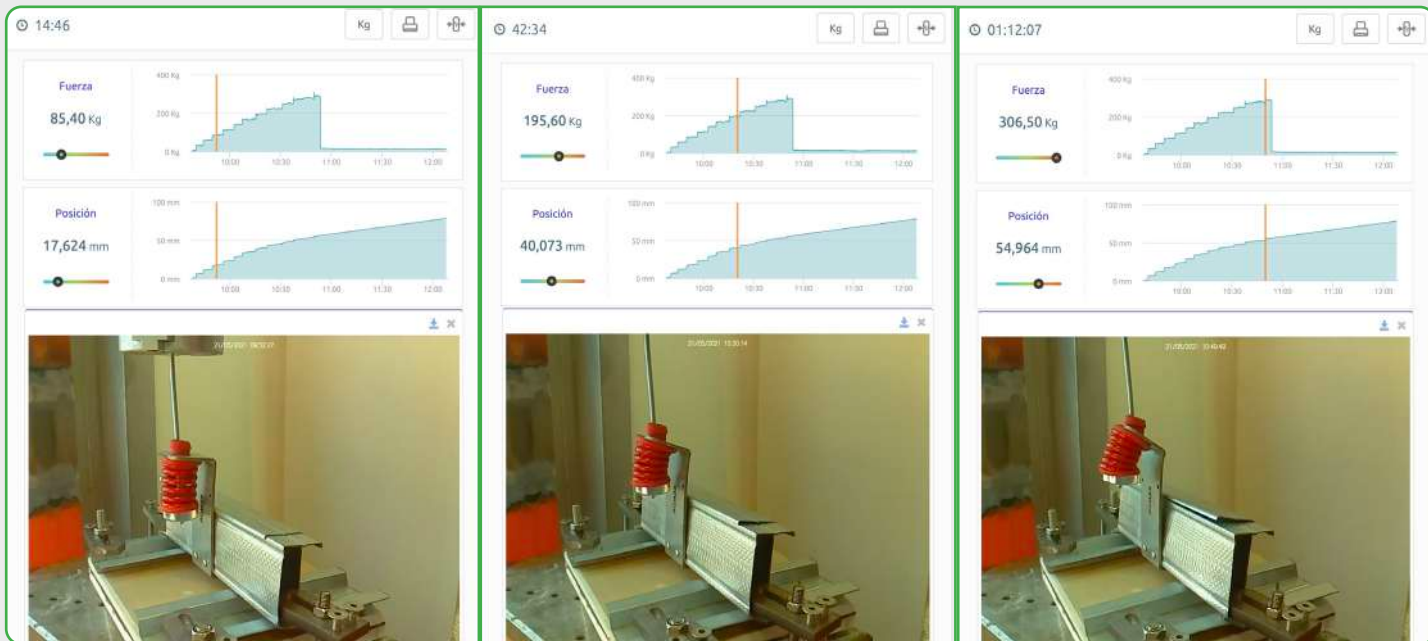


CONSTRUCTION Catalogue 2021

HYBRID HANGER WITH **DIRECT** FASTENING TO **C** PROFILES or **STUD**

Ref. **SE-MSN-90 R 120**

Mechanical test LABORATORY



Test layout: 85,4 kg

MSN-90 R 120

In this test, the hanger is subjected to load inside the parameters designed to the product.

SE-MSN-90 R 120
Patented

Test layout: 195,6 kg

MSN-90 R 120

In this test, the hanger is subjected to load out of the parameters designed to the product.

We can see steel spring and polymers very compressed.

Test layout: 306,5 kg

MSN-90 R 120

Failure mode.
The components are deformed and the profiles are twisted reaching its elastic limit.

CONSTRUCTION Catalogue 2021

HYBRID HANGER WITH DIRECT FASTENING TO C PROFILES or STUD

Ref. SE-MSN-90 R 120

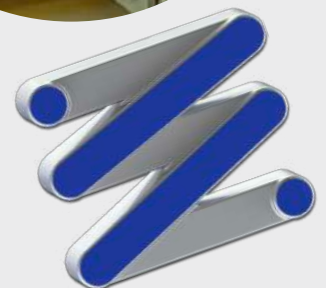
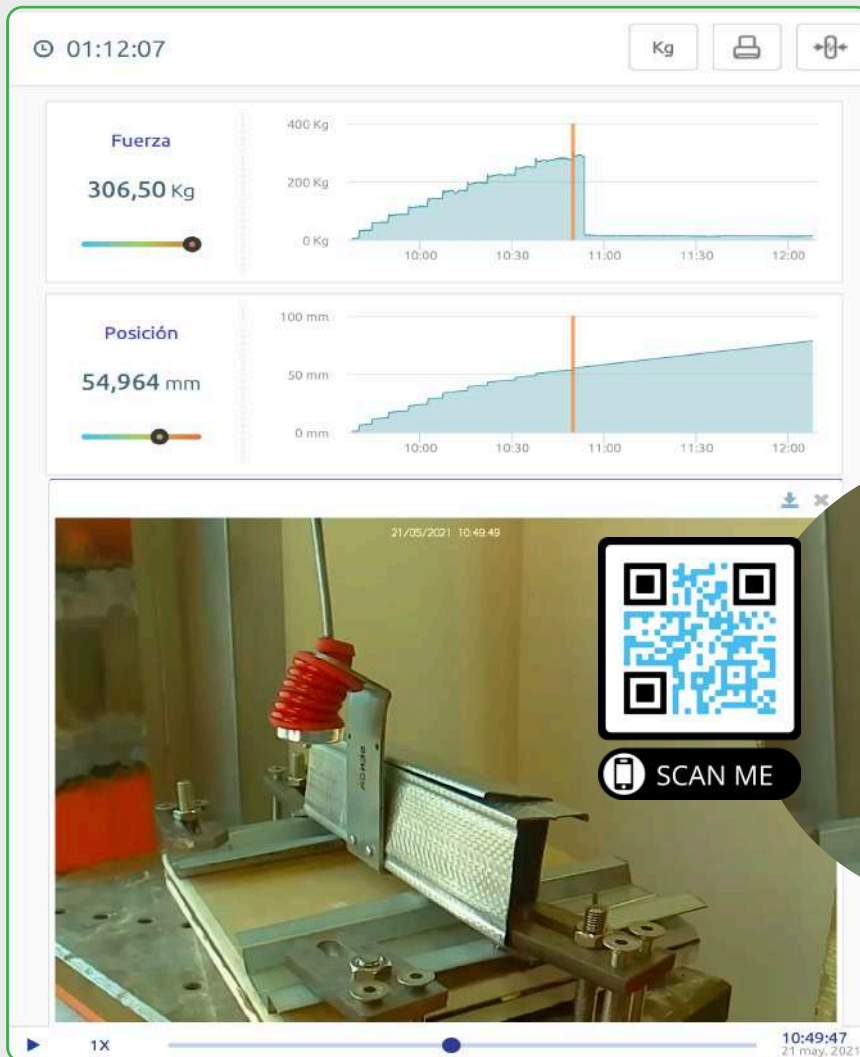
Manufacturer of **ANTIVIBRATION** systems

MSN-90 R 120

Failure mode.

The elastic limit of the component is reached at **306 kg**.

The break strength testing is concluded.



*SENOR Aisladores Acústicos



CONSTRUCTION Catalogue 2021

HYBRID HANGER WITH DIRECT FASTENING TO C PROFILES or STUD

Ref. SE-MSN-90 R 120


Certificate of Compliance



SENR certifies:

The **MSN-90 model** in the construction range for the suspension of acoustic false ceilings under slab has an **optimal lifespan of 10 years** provided that the installation is carried out under **ordinary environmental conditions** and are not exposed to chemical components that could degrade the product. The **MSN-90 model** strictly complies with **UNE** (Spanish Association for Standardization) **UNE 100-153-88**: air conditioning: vibration insulators: design criteria.

SENR declares under its responsibility that the following components for suspended ceiling in buildings strictly complies with the technical sections of installation mentioned in the technical documentation of the product.



Certificación
Concedida a
SUSPENSIONES ELASTICAS DEL NORTE SL

PLG. IND. EL GARROTAL, PARCELA 10 MODULO 5 - 14700 - PALMA DEL RIO - CORDOBA. - ESPAÑA

Bureau Veritas Certification certifica que el Sistema de Gestión ha sido auditado y encontrado conforme con los requisitos de la norma:

NORMA
ISO 9001:2015

El Sistema de Gestión se aplica a:


DISEÑO, DESARROLLO Y FABRICACIÓN DE AISLADORES ACÚSTICOS PARA LA ERRADICACIÓN DE LAS VIBRACIONES Y LA CONTAMINACIÓN POR RUIDO PARA SU APLICACIÓN EN LOS SECTORES DE LA CONSTRUCCIÓN Y LA INDUSTRIA.

Número del Certificado:	ES114742- 1
Aprobación original:	25-09-2002
Auditoría de certificación/renovación:	14-09-2020
Caducidad de ciclo anterior:	03-10-2020
Certificado en vigor:	04-10-2020
Caducidad del certificado:	03-10-2023

Este certificado está sujeto a los términos y condiciones generales y particulares de los servicios de certificación

Bureau Veritas Iberia S.L.
C/ Valportillo Primera 22-24, Edificio Caoba, 28108 Alcobendas - Madrid, España

1/1



CONSTRUCTION Catalogue 2021

HYBRID HANGER WITH DIRECT FASTENING TO C PROFILES or STUD

Ref. SE-MSN-90 R 120

Manufacturer of **ANTIVIBRATION** systems

Warning

Relevant information

SEÑOR reserves the right to make changes in specifications at any time without prior notice. It is a responsibility of the user to use the latest and updated version of the product data sheets.

A copy of which will be available on request. This information and, in particular, relative recommendations to the application and final use of the product, are given in good faith, based on **SEÑOR** knowledge and experience of its products, provided that they are correctly installed in ordinary circumstances and within its useful life.



SE-MSN-90 R 120

Patented



*SEÑOR Aisladores Acústicos