

ACOUSTIC ceiling

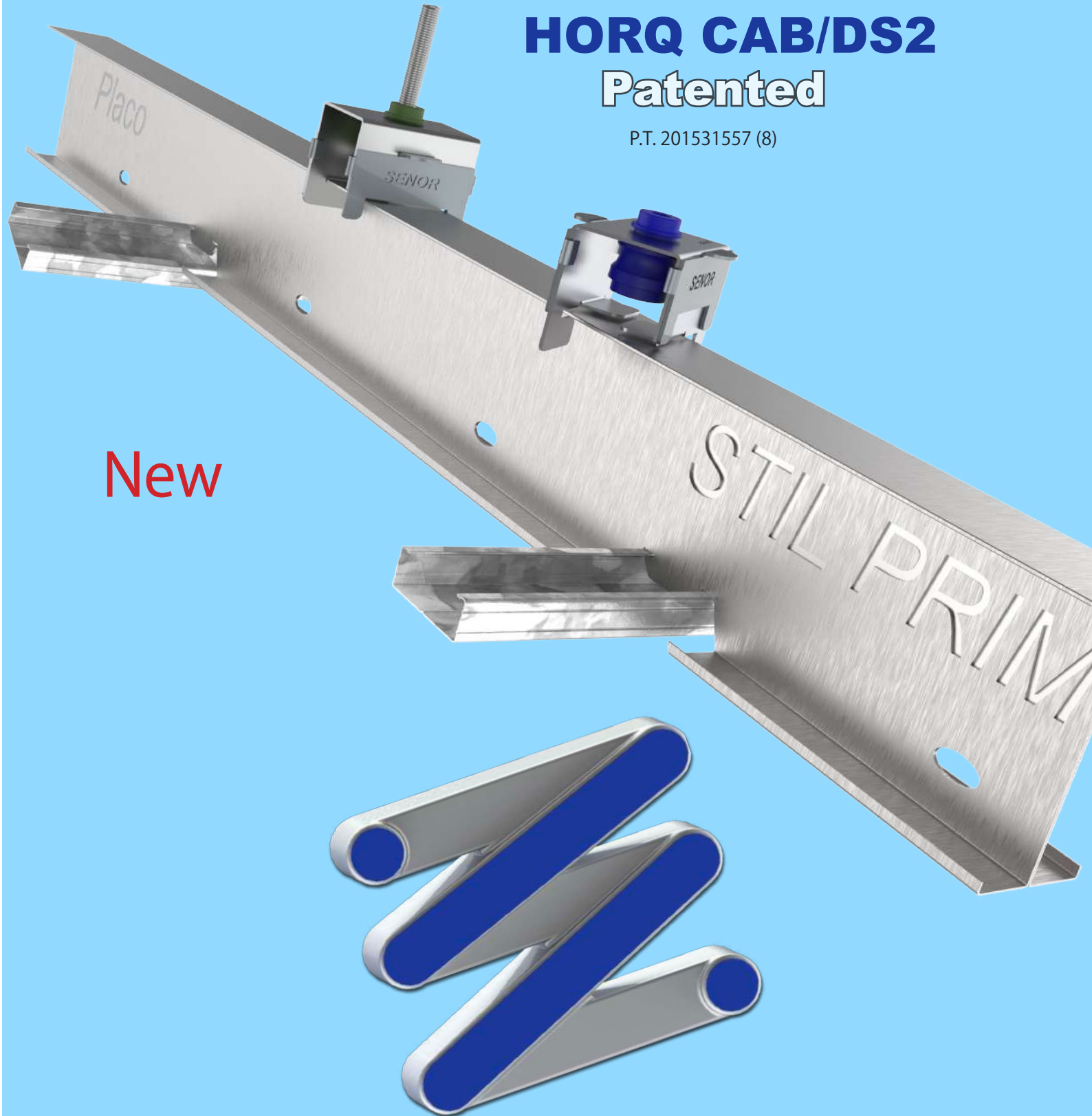
Mod.

HORQ CAB/DS2

Patented

P.T. 201531557 (8)

New



SENOR

ACOUSTIC ceiling

Mod.

HORQ CAB/DS2

Patented

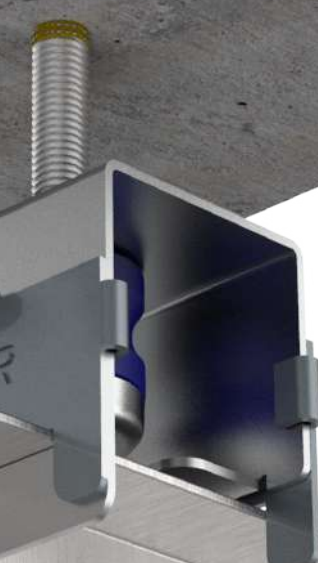
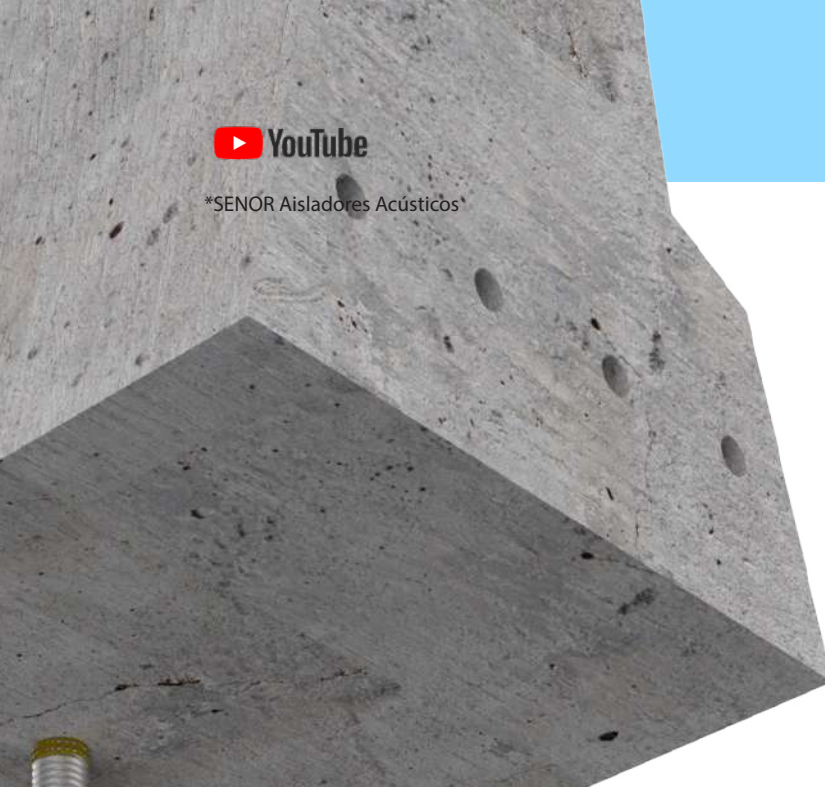
P.T. 201531557 (8)

Introduction.

A **DIFFERENT** shock absorber. A very professional suspension. It is a second-generation rubber shock absorber manufactured with high-performance and renewed raw materials that provide important improvements in their properties **in the vibromechanical field.**

HORQ CAB/DS2 is much more than a shock absorber, it is an acoustic suspension with ultra-fast adaptation to the **STIL PRIM 100** primary profile; with a simple movement, it is fixed to th profile. **Our engineers** work every day for your safety. (Only we manufacture this product).





New



Main FEATURES.

HORQ CAB/DS2 does not require fixing screws to be attached to the STIL PRIM-100 profile. As it incorporates a DOUBLE vertical locking device (**DS2**), which allows **90 degree** turns on its axis, which allows inserting the shock absorber in the desired position.

- * Ultra fast fixing to the primary profile STIL PRIM 100.
- * Easy placement at any point along the profile.
- * No screws are required to install.
- * Ultra fast leveling.
- * Incredible response in the vibromechanical field in the mid/low frequencies Hz.



ACOUSTIC
ceiling.

New

Mod.

HORQ CAB/DS2

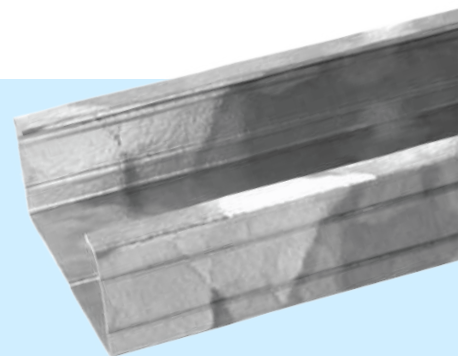
Patented

P.T. 201531557 (8)

DYNAMIC load capacity.

In the acoustic sector there is a wide diversity of construction solutions. The weight distribution per fixing unit depends on different variables, **such as: mass m^2 , distance between the inter-axes of the ceiling profiles, arrangement of shock absorbers on the slab, etc...**

The **HORQ CAB/DS2** model has the advantage of combining **2 colors** to differentiate the load per unit (kg): **GREEN** and **BLUE**. The **GREEN** color will indicate the one with the lowest weight (between **8Kg** up to **30kg** maximum load) and the **BLUE** color the one with the lowest weight (between **27Kg** up to **50kg** maximum load.) In this way we can choose the most effective shock absorber depending on the system.



New

Mod.

HORQ CAB/DS2

Patented

P.T. 201531557 (8)

ACOUSTIC
ceiling.

ACOUSTIC ceiling.

Ref.
SE-HORQ CAB/DS2 30 V

Green rubber: "TC-4/GPN"

Loads between **8-30 Kg.**

Resonance frequency **7 to 15 Hz.**



New

Mod.

HORQ CAB/DS2

Patented

P.T. 201531557 (8)

Ref.
SE-HORQ CAB/DS2 50 A

Blue rubber: "TC-5/EXN"

Loads between **27-50 Kg.**

Resonance frequency **7 to 15 Hz.**

LABORATORY test.
UNE-EN ISO 10846-1:2009

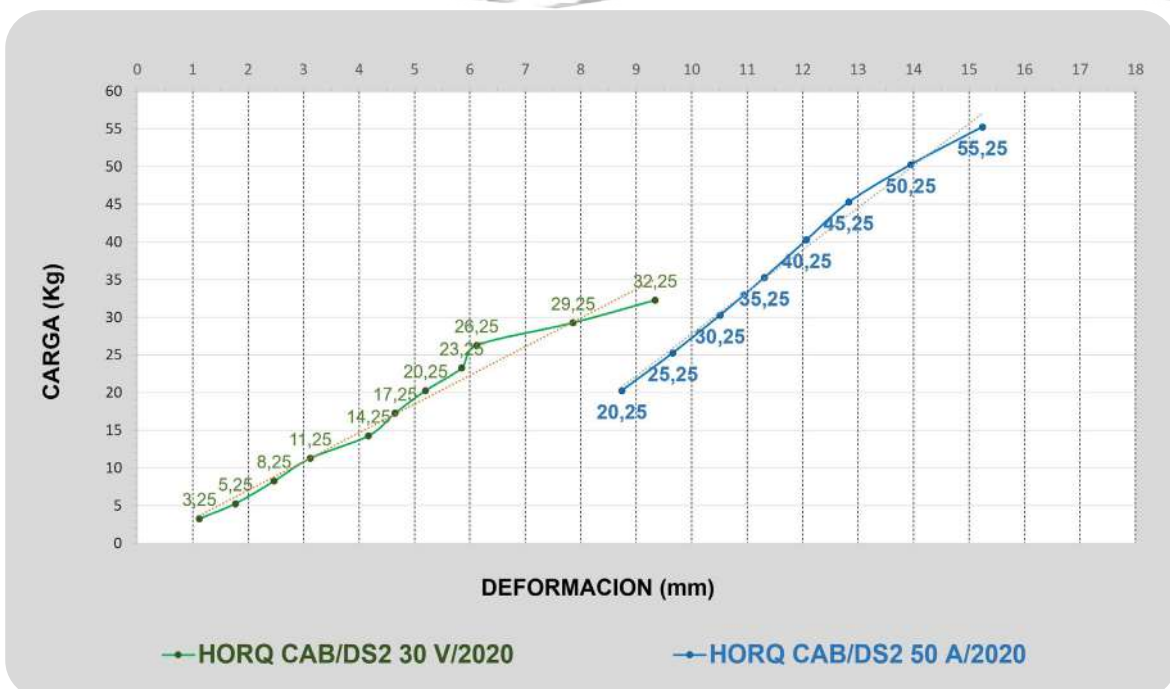
Acoustics and vibrations. Laboratory measurement of the vibro-acoustic transfer properties of elastic elements.

ACOUSTIC
ceiling.

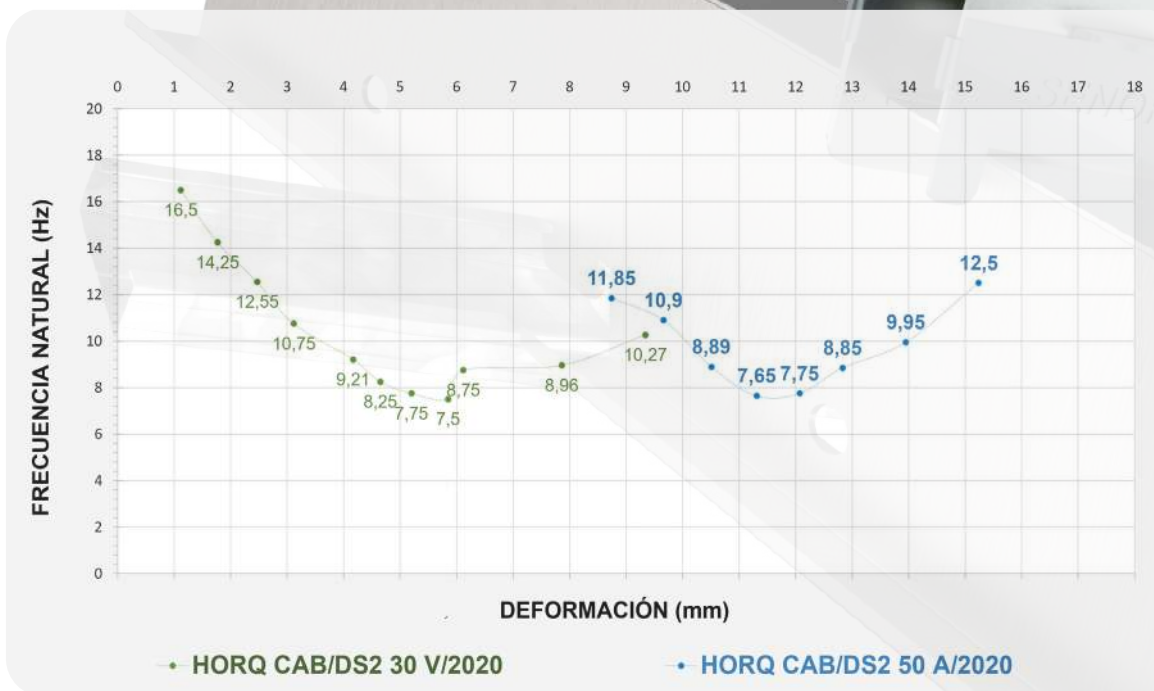
PRODUCT graphics.



Graph 1



Graph 2



Graph 3



ACOUSTIC ceiling.

New

Mod.

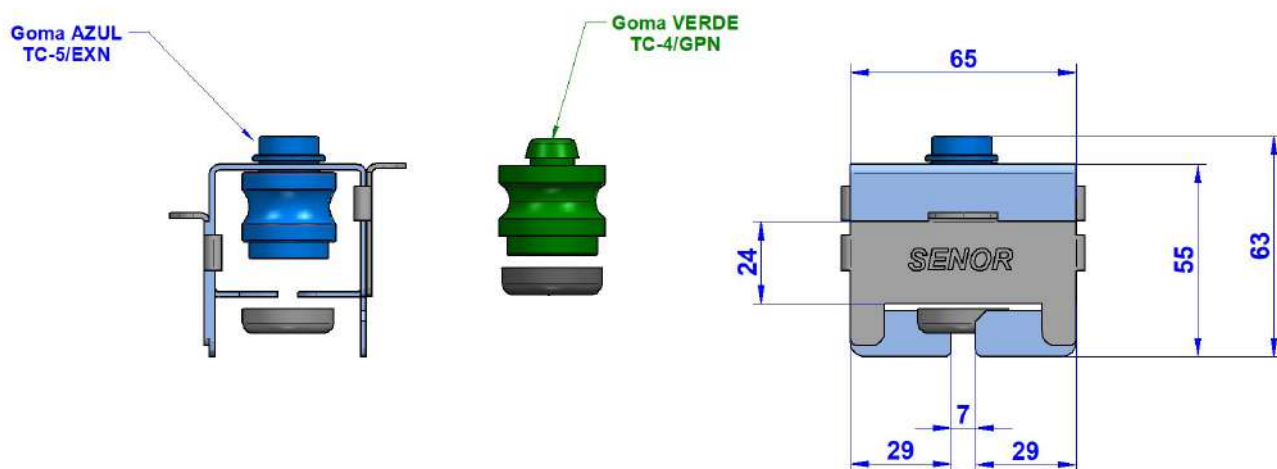
HORQ CAB/DS2

Patented

P.T. 201531557 (8)



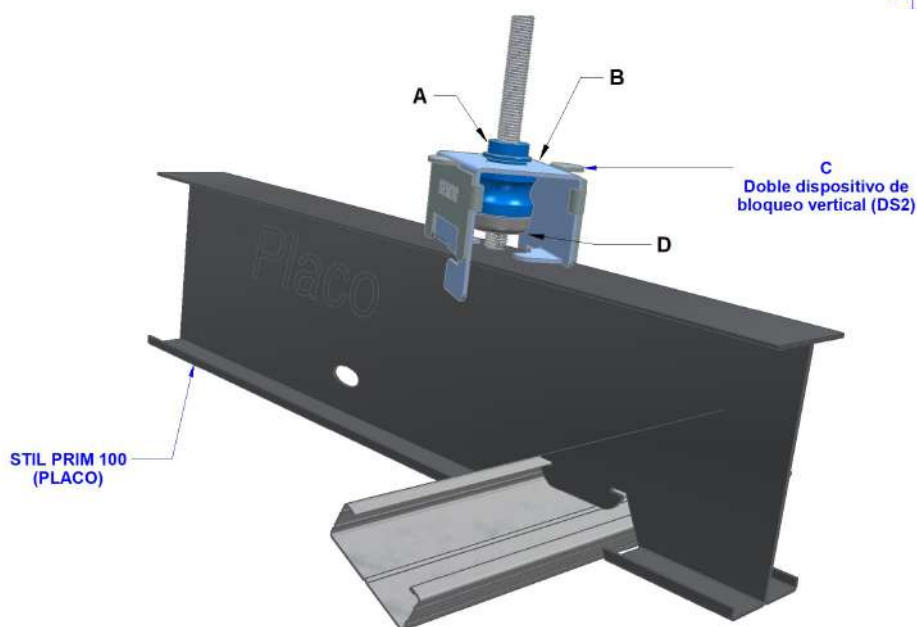
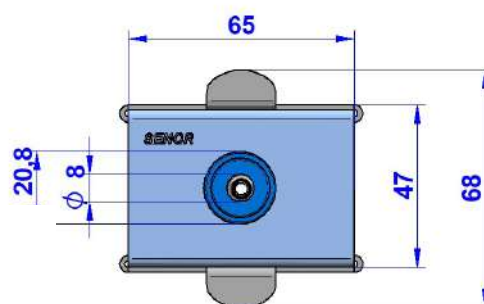
PRODUCT drawings



Mod. **HORQ CAB/DS2**

Patented

P.T. 201531557 (8)



New

Componentes **PRINCIPALES.**

(**A**) **Top cap** with protruding neck: it prevents the contact between the threaded rod and the metal components (**B**). It also provides a perfect seating to the "bowl shaped metallic piece" (**D**) and an optimal performance in the range of medium / high frequencies (Hz).



New
 Mod.
HORQ CAB/DS2
 Patented

P.T. 201531557 (8)

(B) Outer shell made of high-performance galvanized steel **Dx54d + Z140** with an edge thickness of 1,5 millimeters. It provides the rigidity of the system and the fast insertion to the ceiling profile **STIL PRIM 100**.

(C) Locking device, (DS2), made of from high-performance galvanized steel **Dx54d + Z140** with an edge thickness of 1,5 millimeters. **SAFETY:** Breaking point over 250 kg/point load.

(D) Bowl-shaped metallic leveling piece "CN", made of high-performance galvanized steel **Dx54d + Z140** with an edge thicknes of 1,5 millimeters. It provides the mechanical tensile strength to the system. **BREAK:** It breaks the threads above the 250 kg/point load.

Certificate of conformity



SEÑOR certifies

All our products in the construction range for suspended acoustic suspended ceilings Mod.HORQ CAB / DS2 have an optimal aging life of 10 years. Provided that their installation is carried out under normal environmental conditions and they are not exposed to chemical components that can degrade the product. Mod.HORQ CAB / DS2 strictly complies with UNE 100-153-88: anti-vibration mounts: selection criteria.

Mod. HORQ CAB/DS2

Patented

P.T. 201531557 (8)

New

Warning Important information

SEÑOR reserves the right to change the technical specifications of the product without prior notice. It is the responsibility of the user to know and to use the latest and updated version of the product data sheets, a copy of which will be sent to whoever requests it. This information and in particular the recommendations regarding the application and final use of the product are given in good faith, based on SEÑOR's current knowledge and experience of its products, when they are correctly installed under normal circumstances and within their useful life.

PROJECT MANAGER: David Muñoz "SEÑOR"



DECLARACIÓN DE CONFORMIDAD.

(DIRECTIVA 89/106/CEE SOBRE LOS PRODUCTOS DE CONSTRUCCIÓN)

EC DECLARATION OF CONFORMITY

(CONSTRUCTION PRODUCTS DIRECTIVE 89/106/CEE).

SUSENSIONES ELÁSTICAS DEL NORTE, S.L. ([SEÑOR](#))

P.I. El Garrotal, Parcela 10, módulo 4 y 5 / Palma del Río (CÓRDOBA) España (SPAIN)

DECLARA BAJO SU RESPONSABILIDAD QUE LOS SIGUIENTES **COMPONENTES DE SUBSTRUCTURA DE TECHO SUSPENDIDO** UTILIZADO EN INTERIORES DE EDIFICIOS: DECLARES UNDER ITS RESPONSIBILITY THAT THE FOLLOWING SUSPENDED CEILING SUBSTRUCTURE COMPONENTS TO BE USED INSIDE BUILDINGS.

USED FOR INTERIOR APPLICATIONS:

MODELO/MODEL: [HORQ CAB/DS2.](#)

REFERENCIAS/REFERENCES:

SE-HORQ CAB/DS2 30 V/M6

[SE-HORQ CAB/DS2 50 A/M6](#)

MÉTRICA/METRIC: 6 y 8.

PERFIL/PROFILE: [SR / STIL PRIM50](#)

SE-HORQ CAB/DS2 30 V/M8

[SE-HORQ CAB/DS2 50 A/M8](#)

CUMPLE LOS REQUISITOS DE LA NORMA:

A1:2008

MEET THE REQUIREMENTS OF THE STANDARD

UNE-EN 13964:2006; UNE-EN 13964:2006/

EN 13964:2006; EN 13964:2006/A1:2008

**APLICACIONES:
ACÚSTICOS.**

APPLICATIONS:

PARA USO EN LA INSTALACIÓN DE FALSOS TECHOS

TO BE USED IN THE INSTALLATION OF ACOUSTIC CEILINGS

FECHA DE EMISIÓN: 04/02/2019

ISSUED ON: 04/02/2019

RE: DCE 002-ver 1

GERENTE/MANAGING DIRECTOR

Ms Carmen López Iglesias