

**NEW
PRODUCT**

SEÑOR 

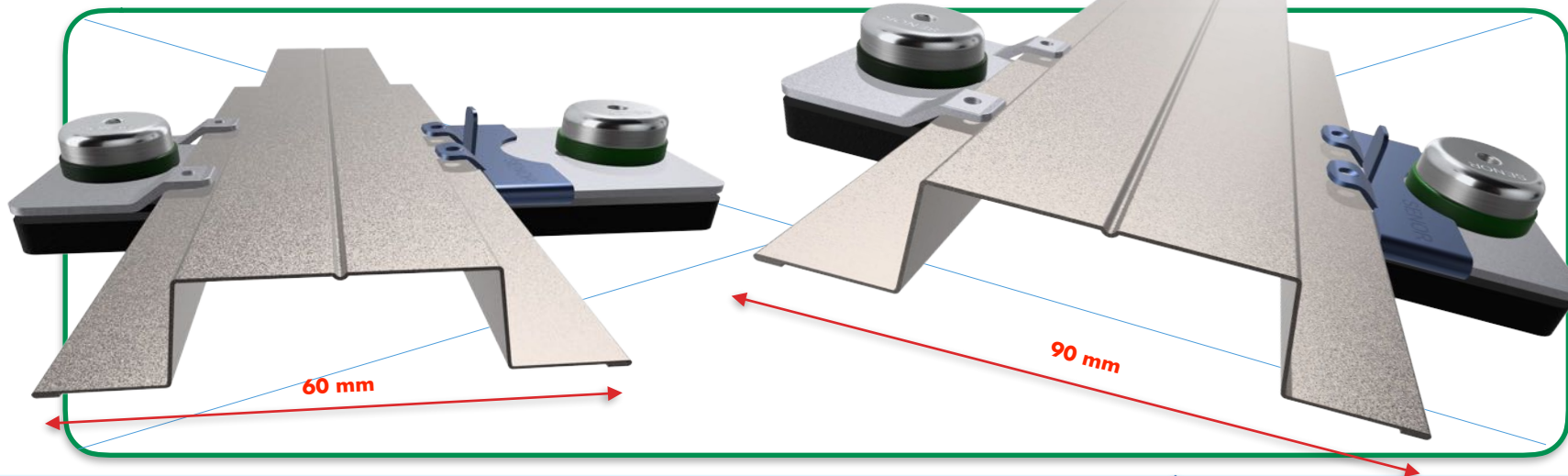
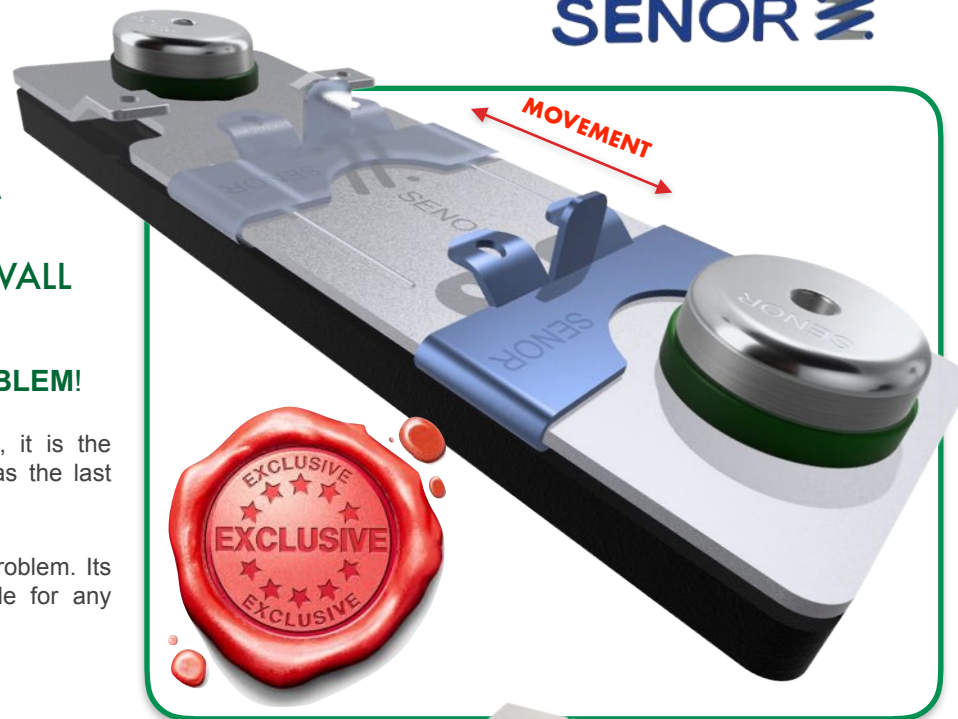
FTD-OMEGA ULTRA

RUBBER MOUNT FOR CEILING AND WALL LINING SYSTEMS

THE PROFILE LENGTH IS NO LONGER A PROBLEM!

FTD-OMEGA ULTRA is the **thinnest** mount on the market, it is the present and future solution to soundproof small spaces. It has the last technology to avoid vibrations and acoustic pollution.

This clip is a new product. The profile length is no longer a problem. Its locking device ensure the clip to the channel. It is available for any **OMEGA** profile (from 20 mm up to 90 mm).



USE Recommendation: wall rubber mount for acoustic ceilings and walls. This type of polymer has a better damping result than other rubbers such as **polyurethane**, polystyrene, **EPDM**, among others.

REFERENCE	DIMENSIONS (mm)	USES	LOAD (kg) MIN-MAX
SE-FTD-OMEGA ULTRA	A / L / H 60 x 175 x 25	Acoustic walls or ceilings	3 - 25

 **SCAN ME**



I+D+i

*This product has been registered in the Spanish Patents and Trademarks Office

Quality of the polymer:

● Polymer: **KRAIBURG-TPE - TC4/GPN** (tested according to the Standard **UNE-EN ISO 10846-1:2009**).

✓ Resonance frequency: **7-15 Hz**.

✓ Recommended load range: **3 kg - 25 kg**.



SENROR

SENROR Products
Acoustic
Walls



SENROR Aisladores Acústicos

Ref. SE-FTD-OMEGA ULTRA

AKUSTIKA ARLOAUREA DE ACUSTICA
Erakuntzaren Kalitate Kontrolerako Laborategia
Laboratorio de Control de Calidad de la Edificación



tecnalia

Laboratory test UNE-EN ISO 10846-1:2009

Aislamiento a Ruido Aéreo según UNE-EN ISO 10140-2:2011 Medidas en Laboratorio

Solicitante: SUSPENSIONES ELÁSTICAS DEL NORTE, S.L. (SENROR)

Nº Resultado: B2020-122-M760 RA

Fecha Ensayo: 30/10/2020

Muestra: TRASDOSADO DIRECTO ACÚSTICO (SENROR + CHOVA): SE-FTD OMEGA; SE-BEC-10X100; SE-MONT-BICAPA-40; SE-BEC-10X100; CHOVA/NAIPA; CHOVA; VISCOLAM, SOBRE PARED DE BLOQUE REVESTIDA.

Masa superficial estimada: 325 kg/m²

Área muestra: 10,08 m²

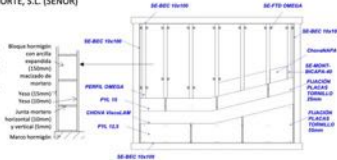
Volumen sala emisora: 66,5 m³

Volumen sala receptora: 55,2 m³

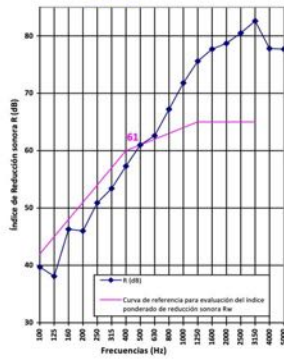
T_{amb,em}: 20,3 °C

HR_{amb,em}: 49 %

P_{amb,em}: 967 mbar



f (Hz)	R (dB)
100	39,7
125	38,1
160	46,3
200	46,0
250	50,9
315	53,4
400	57,3
500	61,0
630	62,6
800	67,2
1000	71,8
1250	75,6
1600	77,7
2000	78,7
2500	80,5
3150	82,6
4000	77,8
5000	77,7



Índices según UNE-EN ISO 717-1:2013: R_w (C₅₀): 61 (-2; -7) dB

Índices según CTE DB-HR: R_{A1}: 60,2 dBA

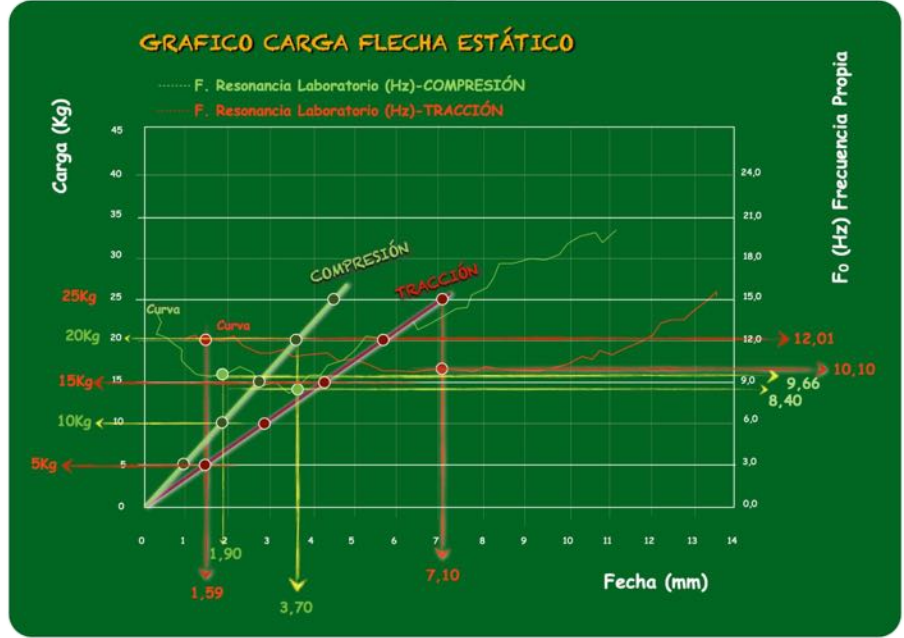
R_{A2}: 53,7 dBA

Evaluación basada en resultados medidos en laboratorio obtenidos mediante un método de ingeniería.



Informe de Ensayo Nº B2020-LACUS-IN-122-4 A

Página 14 de 14



Axial compression results

LOAD (Kg)	DEFOR MATION (mm)	RESONANCE FREQUENCY (Hz)	SWEEP (Hz)		SOUNDPROOFING LEVEL (%)	
10	1,90	9,66	25	50	82,45	96,12
20	3,70	8,40	25	50	87,27	97,10

Axial tensile results

5	1,59	12,01	25	50	70,00	93,88
15	4,25	11,00	25	50	75,99	94,91
25	7,10	10,10	25	50	80,49	95,75



Data sheet

TC4GPN (GP/FG Series)

THERMOLAST® K

Product properties

Name TC4GPN

Series GP/FG

Colour / RAL DESIGN Natural

Mechanical properties

Hardness 39⁺ - 5⁺ ShoreA DIN ISO 7619-1

Density 1.100 g/cm³ DIN EN ISO 1183-1

Tensile strength¹ 6,5 MPa DIN 53504/ISO 37

Elongation at break¹ 800 % DIN 53504/ISO 37

Tear resistance 14,0 N/mm ISO 34-1 Methode B (b)(Graves)

CS 72 h/23 °C 12 % DIN ISO 815-1 Method A

CS 24 h/70 °C 23 % DIN ISO 815-1 Method A

CS 24 h/100 °C 59 % DIN ISO 815-1 Method A

¹ Deviating from ISO 37 standard test piece S2 is tested with a traverse speed of 200 mm/min.

All values published in this data sheet are rounded average values.

NEW PRODUCT

**NEW
PRODUCT**

 Youtube

SEÑOR Aisladores Acústicos



SEÑOR

SEÑOR Products
Acoustic
Walls

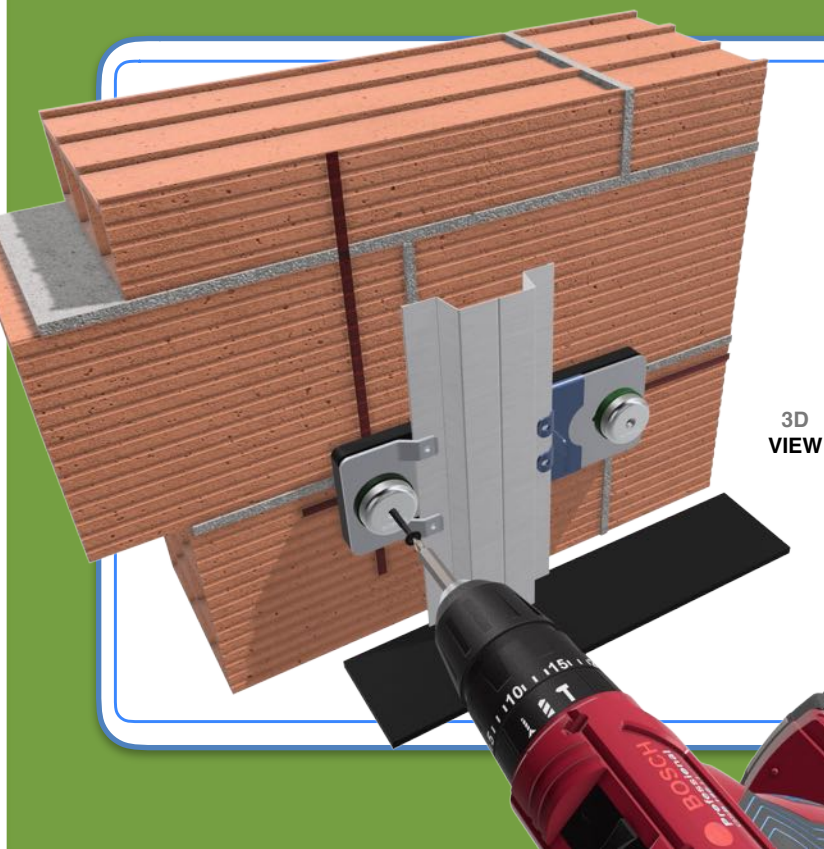
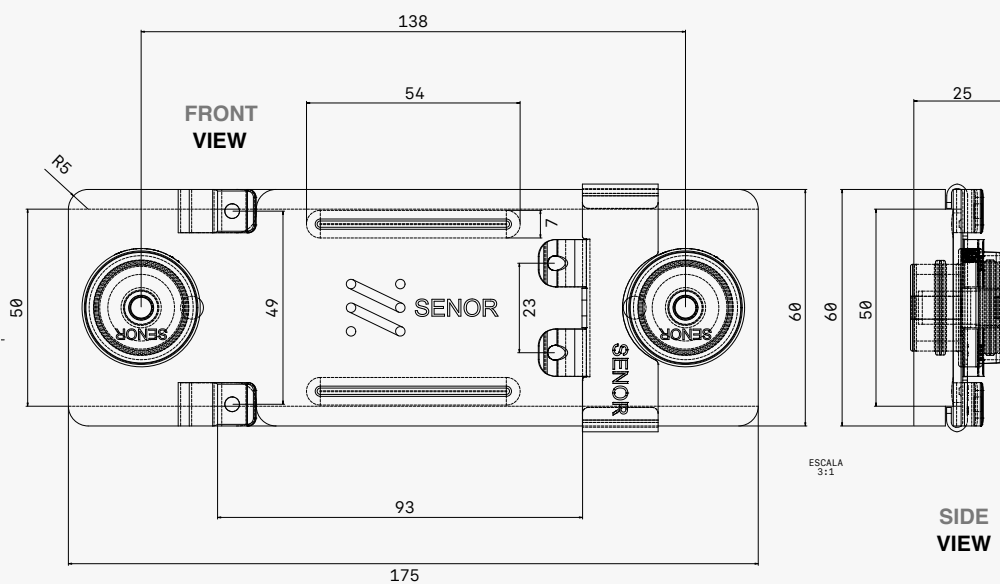
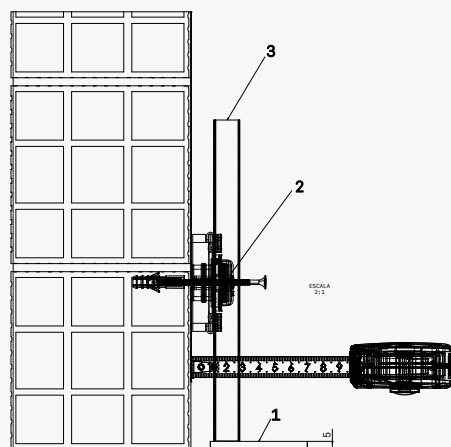
Ref. SE-FTD-OMEGA ULTRA

03

1º- Acoustic band EPDM CR-130 type BEC-5 "SEÑOR".

2º- Wall clip SE-FTD-OMEGA ULTRA for OMEGA profiles.

3º- OMEGA metal channel.



MATERIALS

This acoustic wall clip is composed of:

- A: The polymer: **KRAIBURG-TPE / TC4GPN**. Hardness: $39 \pm 5^\circ$ SHORE A. Colour: **Green**. Hardness according to **ISO 48-4** or **DIN ISO 7619-1**. High soundproofing level in frequencies (Hz).



- B: Acoustic plate made of **CAU EPDM CR-130 RE 42**. Colour: **Black**. Its provide a high soundproofing level in low/medium frequencies (Hz).



SENOR

SENOR Products
Acoustic
Walls

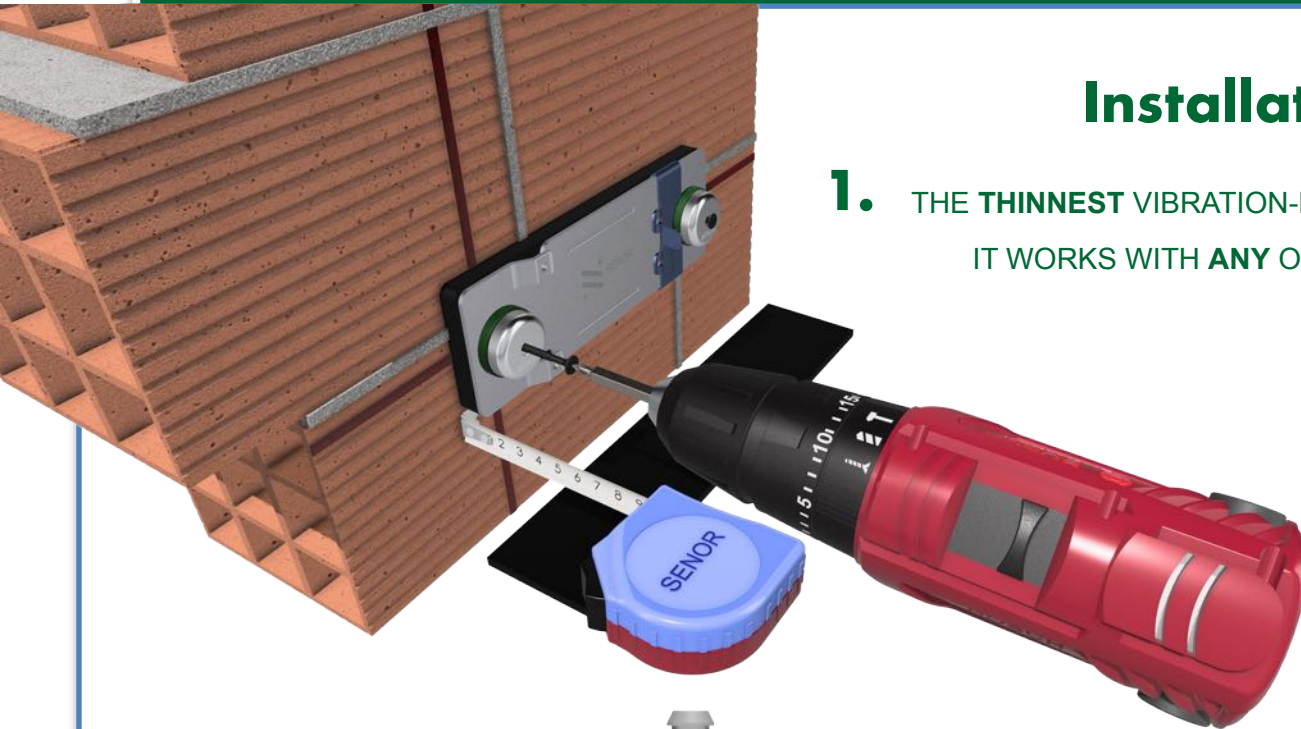
 Youtube

SENOR Aisladores Acústicos

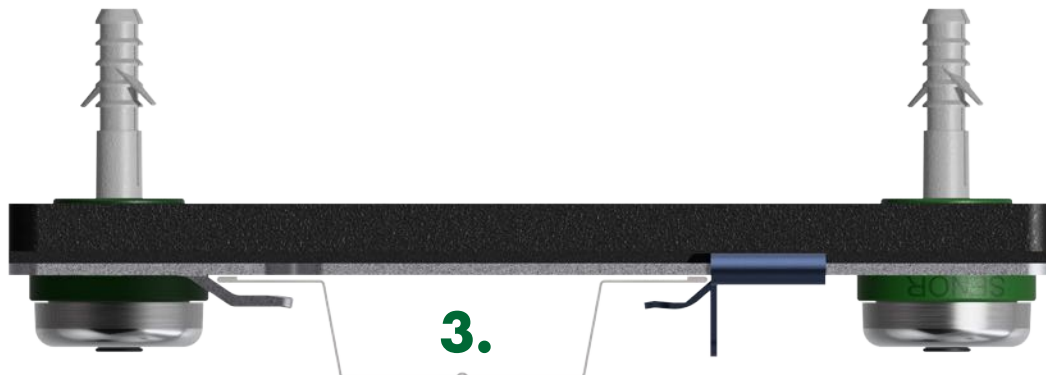
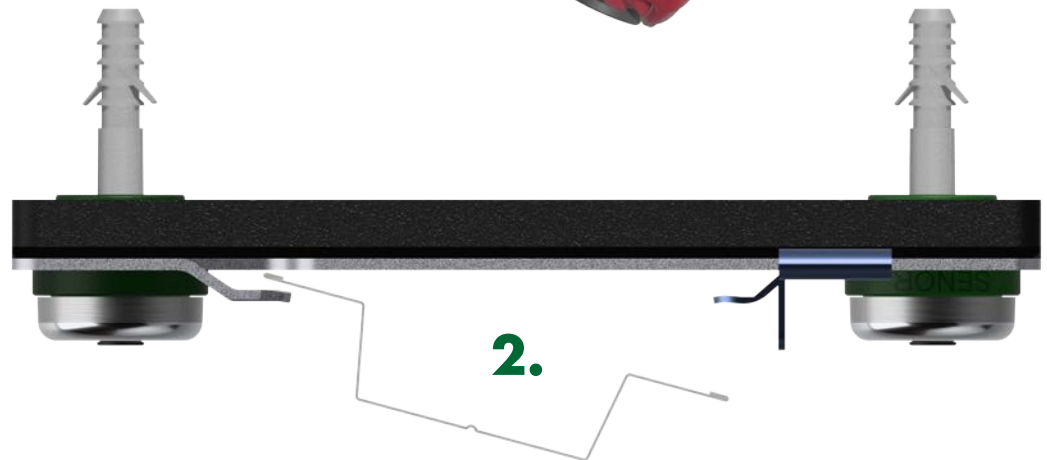
Ref. SE-FTD-OMEGA ULTRA

Installation guide

1. THE THINNEST VIBRATION-DAMPENING MOUNT
IT WORKS WITH ANY OMEGA PROFILE!



 SCAN ME



**NEW
PRODUCT**