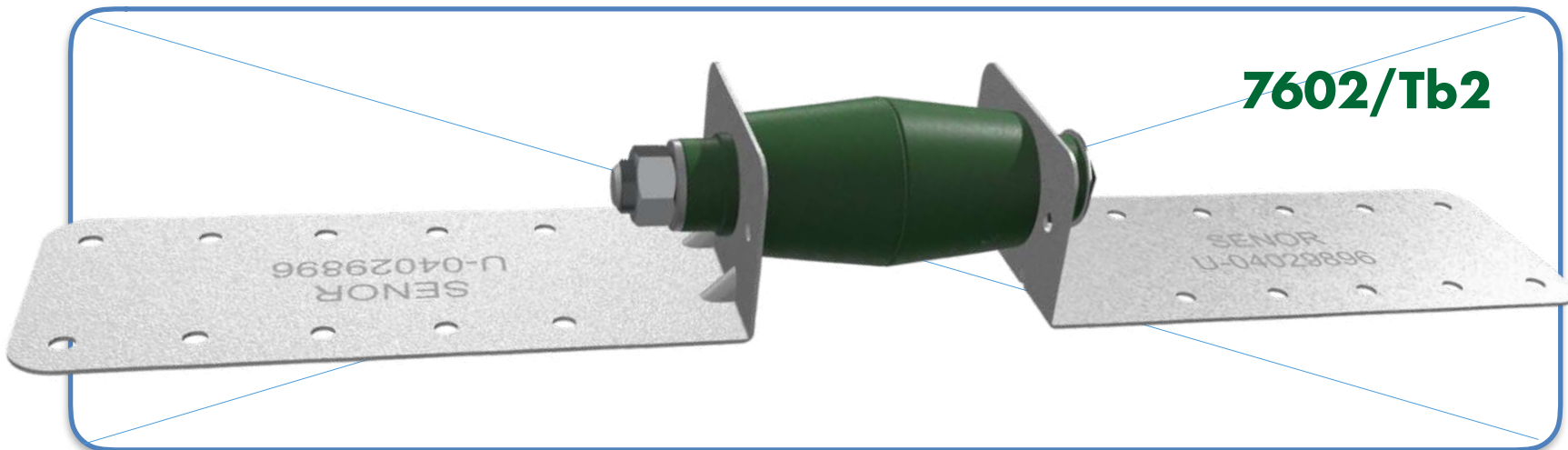
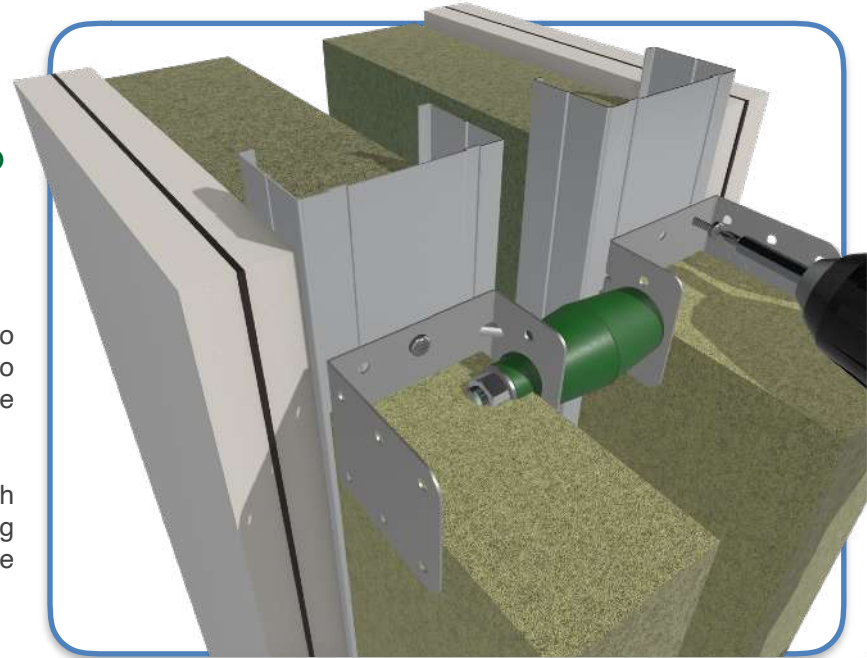


7602/Tb2

RUBBER WALL MOUNT WITH DOUBLE FASTENING TO CONNECT TWO SELF-SUPPORTING STRUCTURES (ACOUSTIC PARTITION WALL SYSTEM)

This model is a **RUBBER** wall mount devised to provide quality to any given acoustic system. Its main function is to connect two self-supporting structures providing elasticity in order to attenuate sound frequencies and vibrations.

The model **SE-7602/Tb2** has a **PATENTED** control system which allows the metal brackets to be moved in both directions. By fixing both sides with screws, the metal bracket can be moved and the polymer is compressed in both directions.



The steel bracket: made according to the Standard **EN 10204/DIN50049 / ISO404**. Transformation according to Iron and Steel Standard **EN 10346:2015**.

Quality: **DX51D+Z275 NA C. 275 g/m²**.

- **Thickness:** 0,8 mm

I+D+i
 *This product has been registered in the Spanish Patents and Trademarks Office.



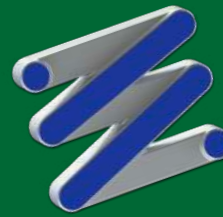
| REF | COLOUR | THICKNESS (mm) | CHANNEL | LOAD (kg) MIN-MAX | PACKING |
|-------------|--------|----------------|-------------|-------------------|---------|
| SE-7602/Tb2 | | 0,8 | Double stud | 5 - 32 | 25 |

Bend the bracket with your hand!

By bending the bracket, the air chamber can be reduced. In addition, the bracket allows the deadening material to be held.

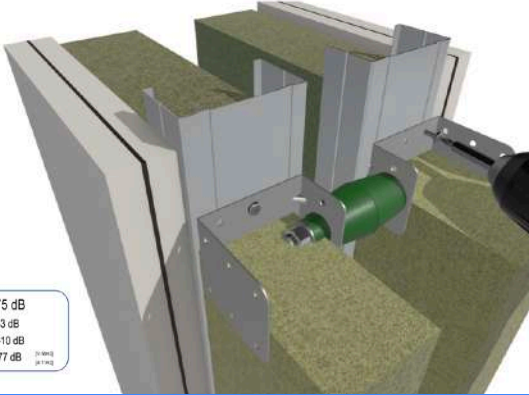
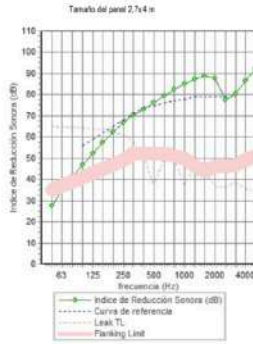
- The polymer is named **KRAIBURG-TPE** (according to the Standard **UNE-EN ISO 10846-1:2009**).

✓Resonance frequency: **7-15 Hz**.

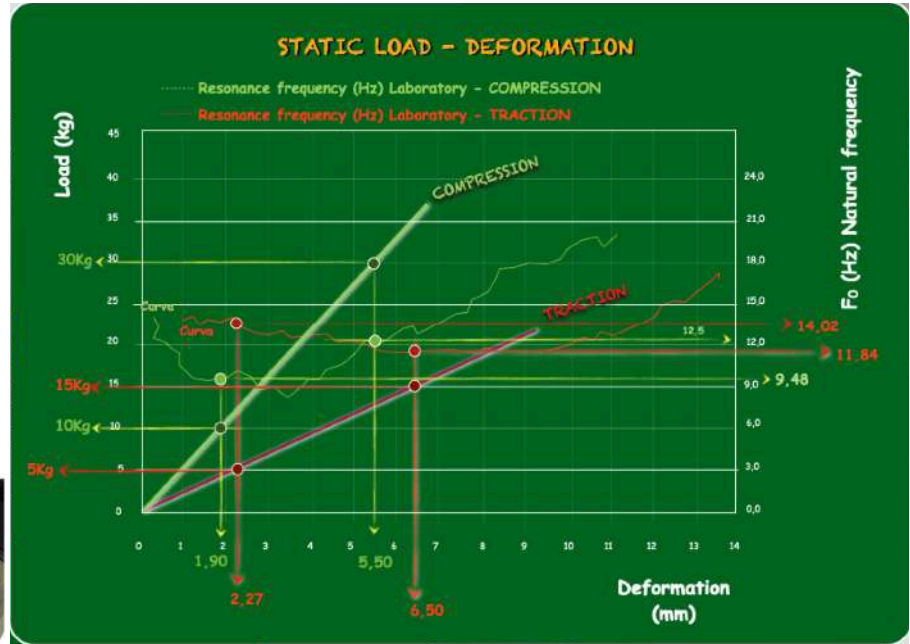


Laboratory test UNE-EN ISO 10846-1:2009

| frecuencia (Hz) | Ri(dB) | Ri(dB) |
|-----------------|--------|--------|
| 50 | 28 | |
| 63 | 35 | 31 |
| 80 | 41 | |
| 100 | 47 | |
| 125 | 52 | 50 |
| 160 | 57 | |
| 200 | 62 | |
| 250 | 67 | 65 |
| 315 | 70 | |
| 400 | 73 | |
| 500 | 76 | 76 |
| 630 | 79 | |
| 800 | 82 | |
| 1000 | 85 | 85 |
| 1250 | 87 | |
| 1600 | 89 | |
| 2000 | 88 | 81 |
| 2500 | 77 | |
| 3150 | 80 | |
| 4000 | 86 | 84 |
| 5000 | 92 | |



Rw 75 dB
C -3 dB
C_p -10 dB
D_{nT,w} 77 dB



Axial compression results

| LOAD (Kg) | DEFORMATION (mm) | RESONANCE FREQUENCY (Hz) | SWEEP (Hz) | | SOUNDPROOFING LEVEL (%) | |
|-----------|------------------|--------------------------|------------|----|-------------------------|-------|
| 10 | 1,90 | 9,48 | 25 | 50 | 83,21 | 96,27 |
| 20 | 3,75 | 8,68 | 25 | 50 | 86,29 | 96,89 |

Axial tensile results

| | | | | | | |
|----|------|-------|----|----|-------|-------|
| 5 | 2,27 | 14,02 | 25 | 50 | 54,12 | 91,47 |
| 10 | 4,22 | 11,92 | 25 | 50 | 70,58 | 93,97 |
| 15 | 6,50 | 11,84 | 25 | 50 | 71,08 | 94,06 |



Data sheet

TC4GPN (GP/FG Series)

THERMOLAST® K

Product properties

Name TC4GPN

Series GP/FG

Colour / RAL DESIGN Natural

Mechanical properties

Hardness 39⁺ ± 5⁺ ShoreA DIN ISO 7619-1

Density 1.100 g/cm³ DIN EN ISO 1183-1

Tensile strength¹ 6.5 MPa DIN 53504/ISO 37

Elongation at break¹ 800 % DIN 53504/ISO 37

Tear resistance 14.0 N/mm ISO 34-1 Methode B (b)(Graves)

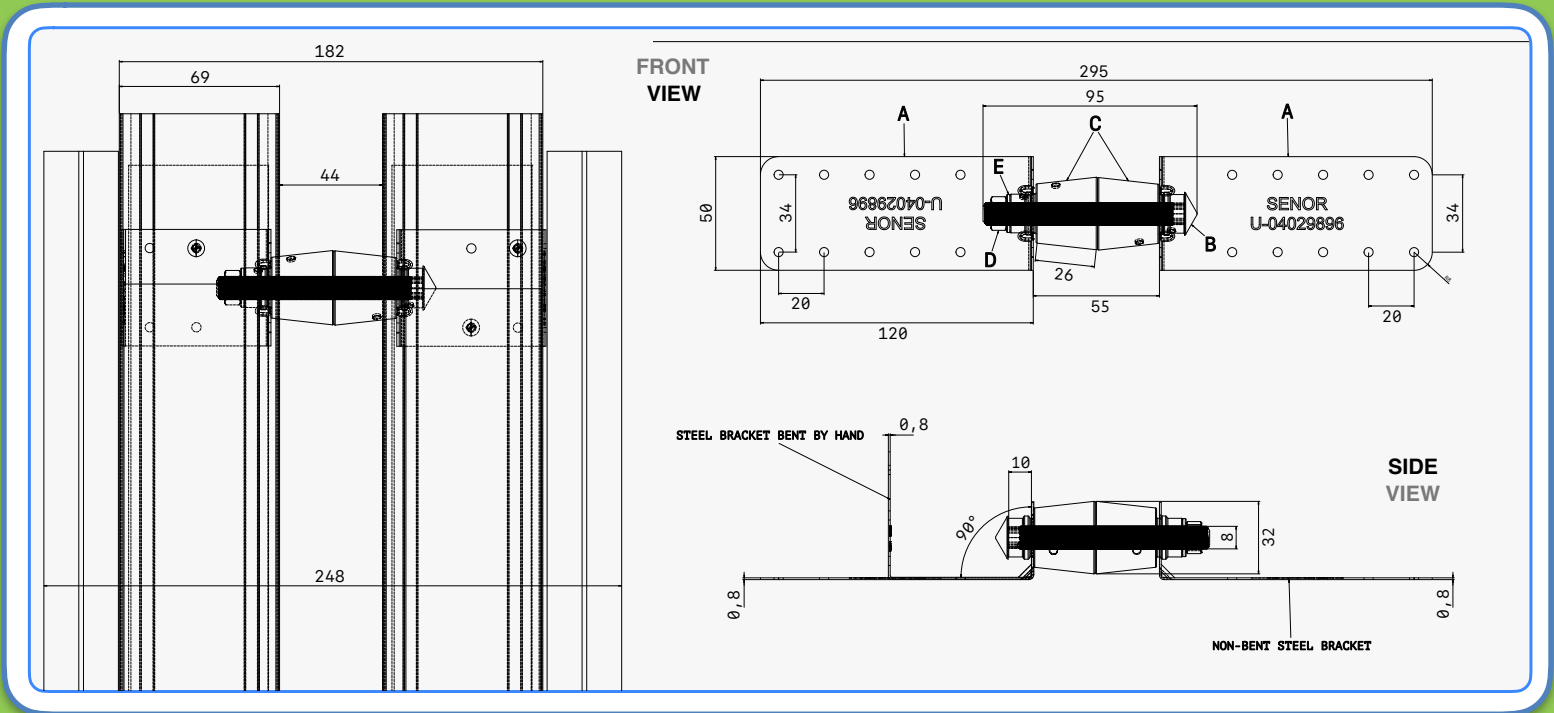
CS 72 h/23 °C 12 % DIN ISO 815-1 Method A

CS 24 h/70 °C 23 % DIN ISO 815-1 Method A

CS 24 h/100 °C 59 % DIN ISO 815-1 Method A

¹ Deviating from ISO 37 standard test piece S2 is tested with a traverse speed of 200 mm/min.

All values published in this data sheet are rounded average values.

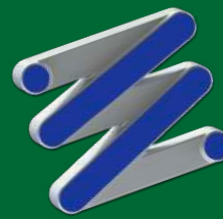


3D
VIEW

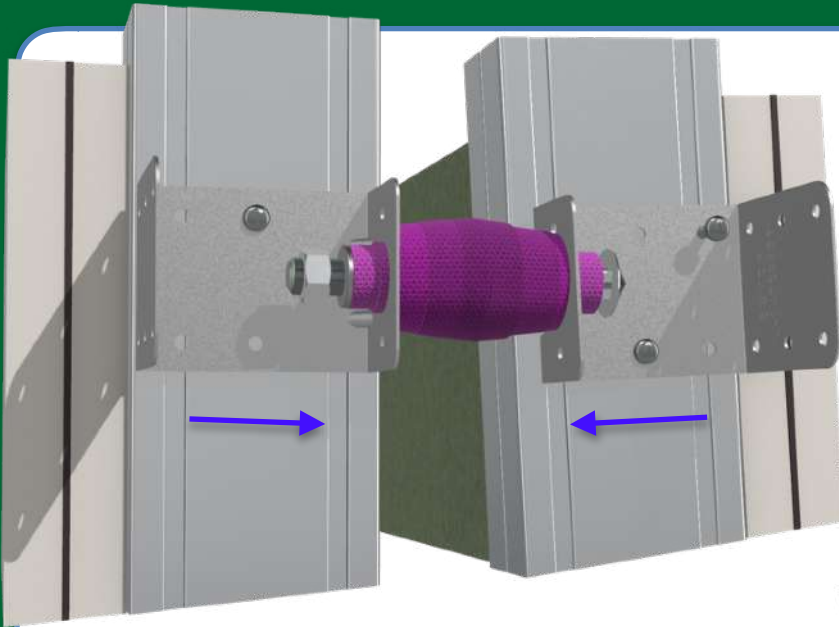
MATERIALS

This acoustic wall mount is composed of:

- A: 2x **Metal bracket 0,8x50x120** made of galvanized steel according to The Standard **EN 10204/DIN50049/ISO404**. Transformation according to iron and steel Standard **EN 10346:2015**. Steel quality **DX51D+Z275 MA**. Zinc covering 300 g/m²
- B: 1x **Steel screw 8x95**: Zinc Plated Cr+3 Standard **DIN603**.
- C: 2x **The polymer: KRAIBURG-TPE / TC4GPN**. Hardness: 39 +- 5° SHORE A. Colour: **Green**. Hardness according to the Standard **ISO 48-4** o **DIN ISO 7619-1**.
- D: 1x - **Standard Nut DIN-934 A2** made of zinc steel for metric 8.
- E: 1x - **Dock washer DIN-9021** made of zinc steel for metric 8.



Ref. SE-7602/Tb2



Ref. SE-7602/Tb2

AXIAL COMPRESSION INSIDE THE PARTITION WALL

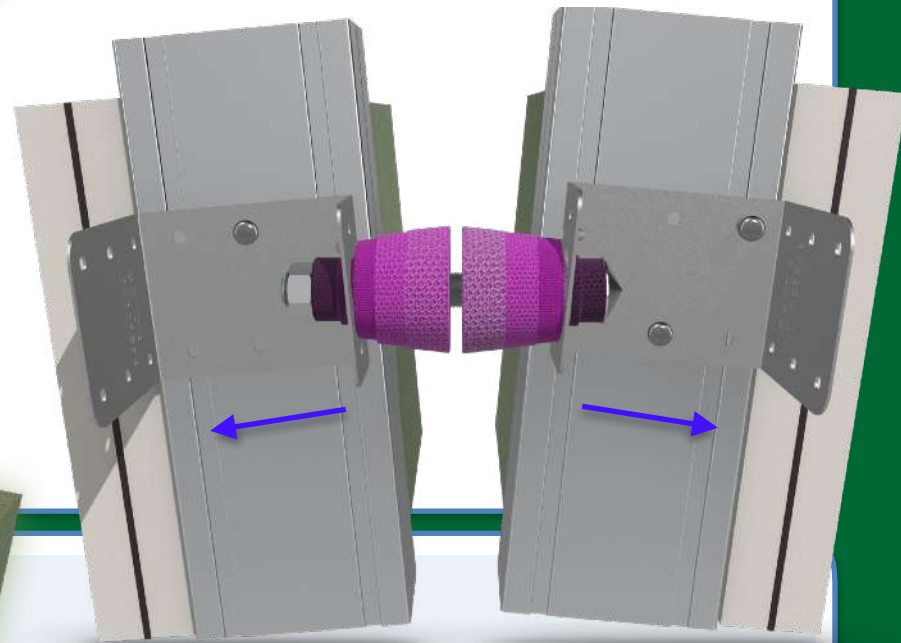
Loads between 5 kg up to 32 kg (maximum load).

Resonance frequency: 7-15 Hz.

Note

POSITIONS

This acoustic mount is devised to work in both directions: axial compression to the outside of the partition wall and axial compression inside the partition wall.

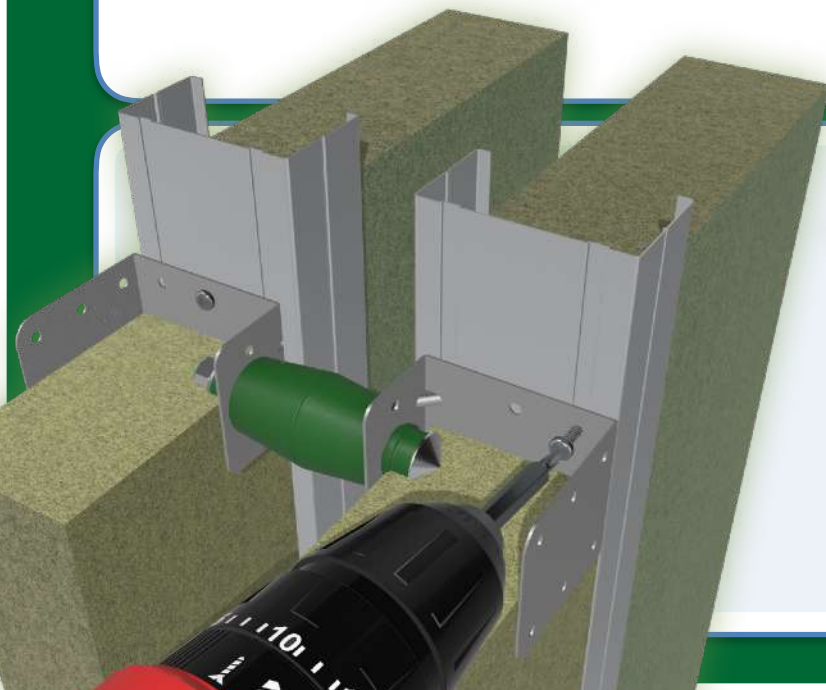


Ref. SE-7602/Tb2

AXIAL COMPRESSION TO THE OUTSIDE OF THE PARTITION WALL

Loads between 5 kg up to 15 kg (maximum load).

Resonance frequency: 7-15 Hz.





SAFETY SYSTEM

Ref. SE-7602/Tb2

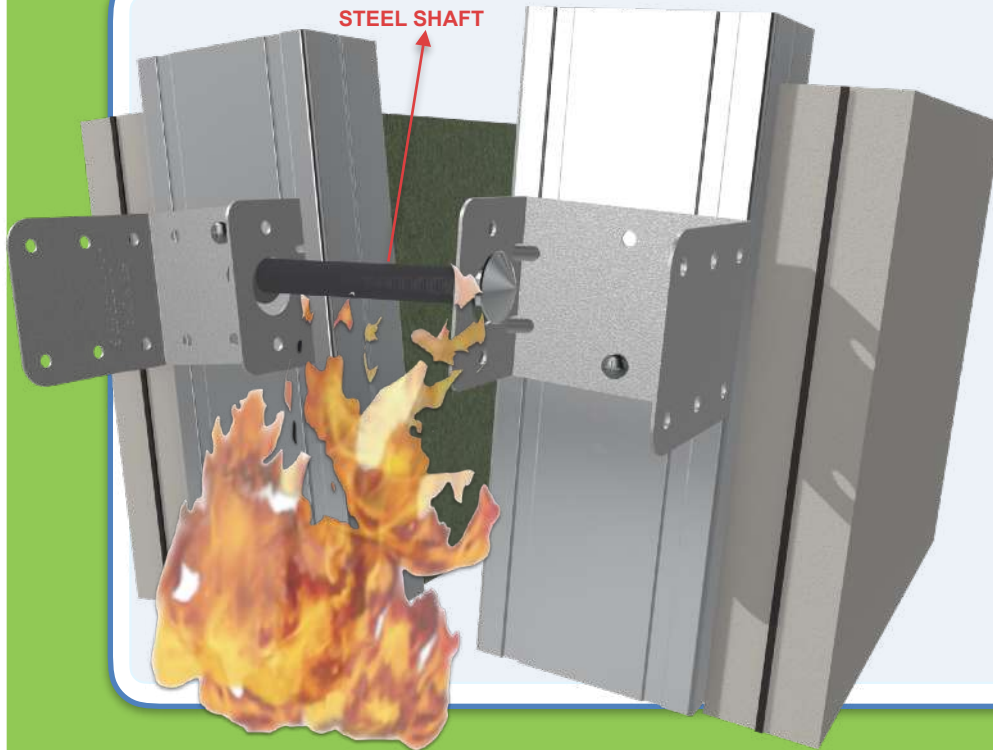
Inside the rubber, there is a steel shaft to get **maximum safety** in case of **fire**. The polymer is disintegrated but, due to the steel shaft, the fastening remains even if the acoustic system is heated to a high temperature (120°).

I+D+i

*This product has been registered in the Spanish Patents and Trademarks Office.



STEEL SHAFT



SENROR certifies

Ref. SE-7602/Tb2

SENROR reserves the right to make changes in specifications at any time without prior notice. It is a responsibility of the user to use the latest and updated version of the product data sheet. A copy of which will be available on request.

The Standard: UNE-EN 37-507-88

Uses: Galvanized coatings on fabricated iron and steel articles.