

7600-LD "CERAMIC PARTITION WALL

Revolution in the vibro-mechanical field.

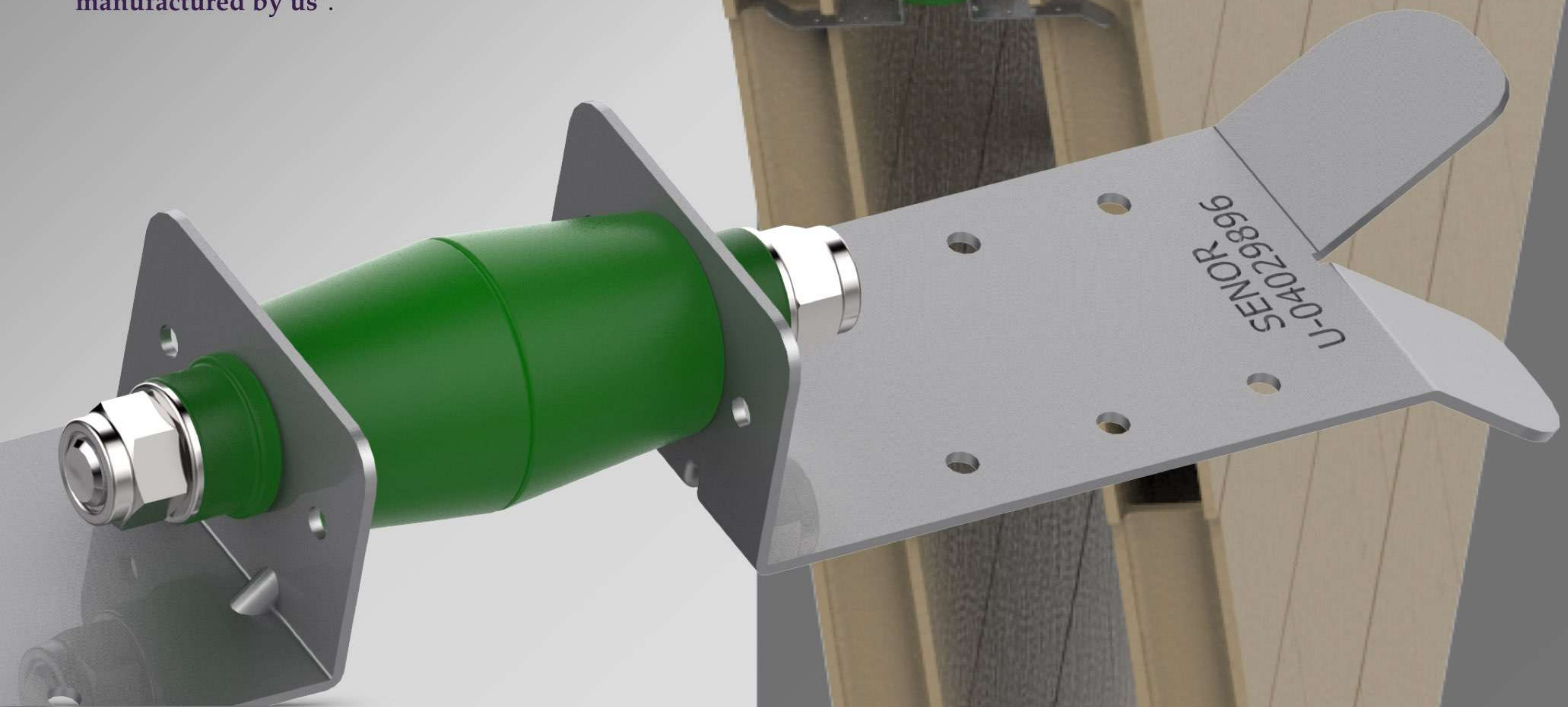
BETTER IMPOSSIBLE !

Introduction

LATERAL ISOLATOR + "MEGOL" WITH
DIRECT FASTENING TO CERAMIC WALL.

They are last generation dampers with
exclusive design for supporting false acoustic
ceramic partition walls. "Exclusively
manufactured by us".

NAIL FOR WALL FASTENING



Material Feature.

They are dampers made of a high-resistance polymer type, (MEGOL - IA 30 C-UG/UVI F/61 - P1250SPE). Rigorously made to comply with standard UNE EN 13964.

EXTENSION STEEL BRACKET: Made with galvanized steel according to standard EN 10204/DIN50049/ISO404. Transformation according to steel standard EN 10346:2009. Quality of steel **DX51D+Z275 NA C. Covering 275 gr/m2.** Available 1,5 millimeters.

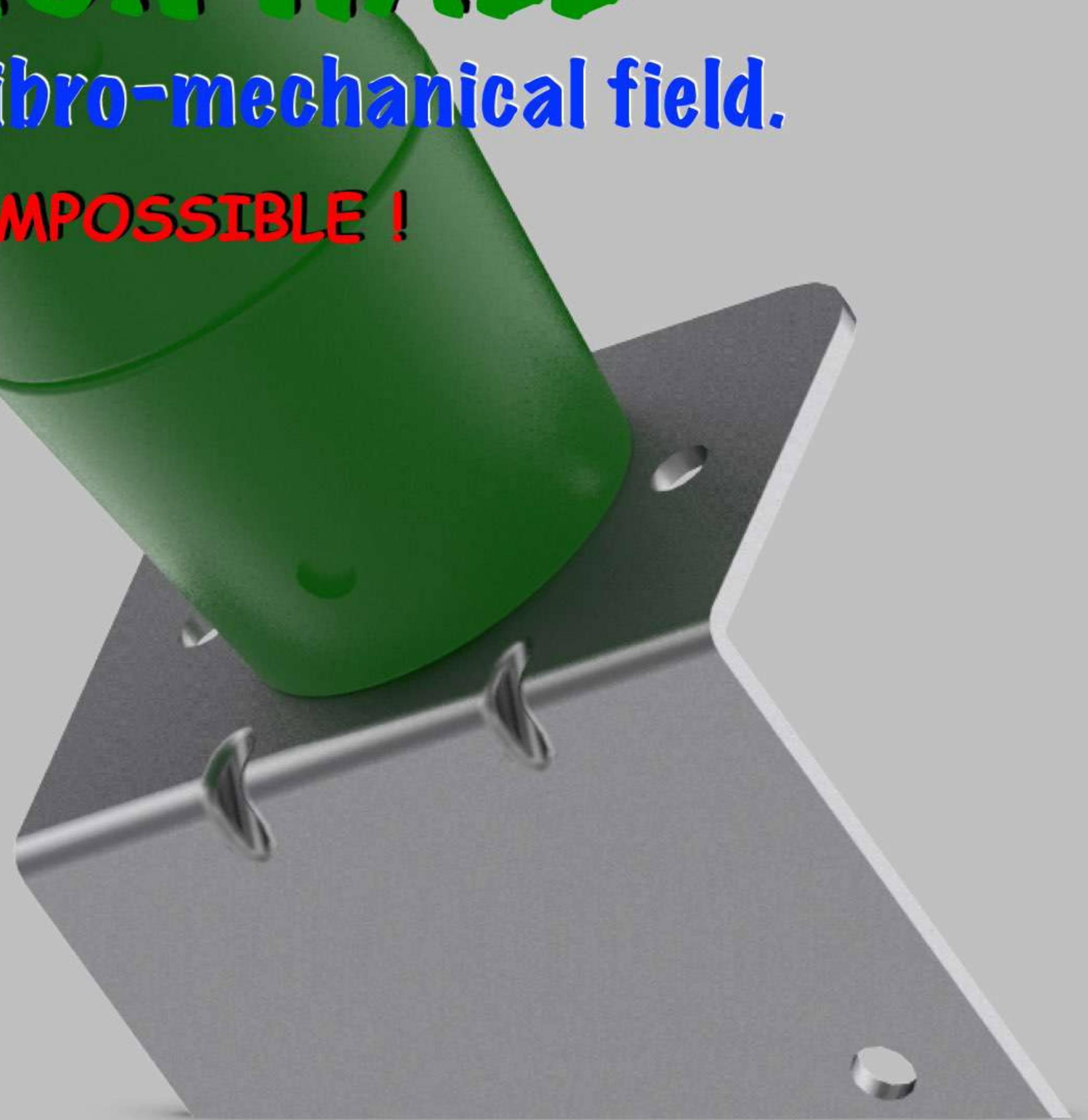
MAIN FEATURES: The steel bracket has a partial cut in its front region creating two inverted pleats. These pleats, once fastened to the ceramic wall increase the tensional tensile strength exponentially.

7600-LD "CERAMIC PARTITION WALL"

Revolution in the vibro-mechanical field.

BETTER IMPOSSIBLE !

It is a unique isolator which stands out for its simplicity. This new series of dampers are designed to eradicate and attenuate the transmission of vibrations caused by shocks, impacts or vibro-mechanical energy coming from equipment which generate acoustic pollution above the audible field threshold (20Hz.).



MEGOL-IA 30 C-UG/UVI F/P1250SPE25" according to standard UNE EN 13964.

Feature	Method	unit	result
Density	ASTM D 792	g/cm3	1,19
Hardness "15 sec"	ASTM D 2240	Shore A	29
Extreme force	ASTM D 624	KN/m	13
Elasticity module 100% elongation	ASTM D 638	MPa	1,8
Elasticity module 300% elongation	ASTM D 638	MPa	2,7
Ultimate tensile strength	ASTM D 638	MPa	5,1
Elongation % break	ASTM D 638	%	817
MFI (190 °C, 49.05 N)	ASTM D 1238	g/10 min	20

The performance line shows the beginning and the end of work of the polymeric body green MEGOL, situated in 5 Kg for the beginning in pulling position and 10 Kg in the compression direction. Ending at 15 Kg in the pulling direction and 38Kg in the compression direction. The graph provide us the following information:

- Deformation in millimeters.
- Load process in each deformed point.
- Optimum degree of elasticity.

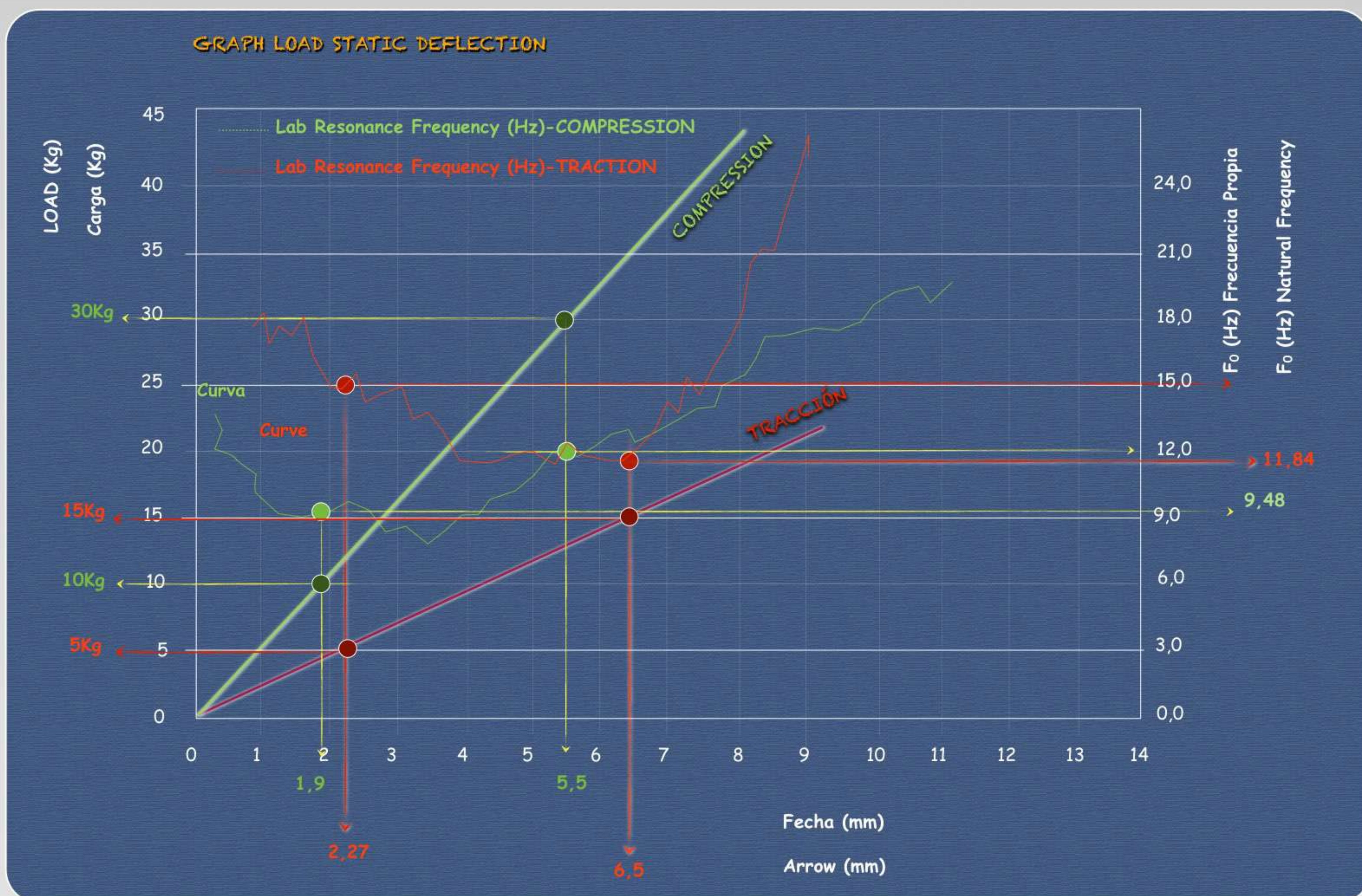
Graph Data - To Compression

DEFORMATION (MM)	NATURAL FREQUENCY (HZ)	LOAD (KG)
1	10,20	5,00
2	9,48	10,00
3	8,70	16,00
4	9,00	23,00
5	10,30	27,80
6	12,60	33,60
7	12,55	38,00
8	15,00	43,80

Graph Data - To traction

DEFORMATION (MM)	NATURAL FREQUENCY (HZ)	LOAD (KG)
1	16,40	2,50
2	15,00	4,80
3	14,99	7,40
4	11,84	9,65
5	12,00	11,70
6	11,99	14,30
7	14,20	15,90
8	18,00	19,20

RESULTS GRAPH.



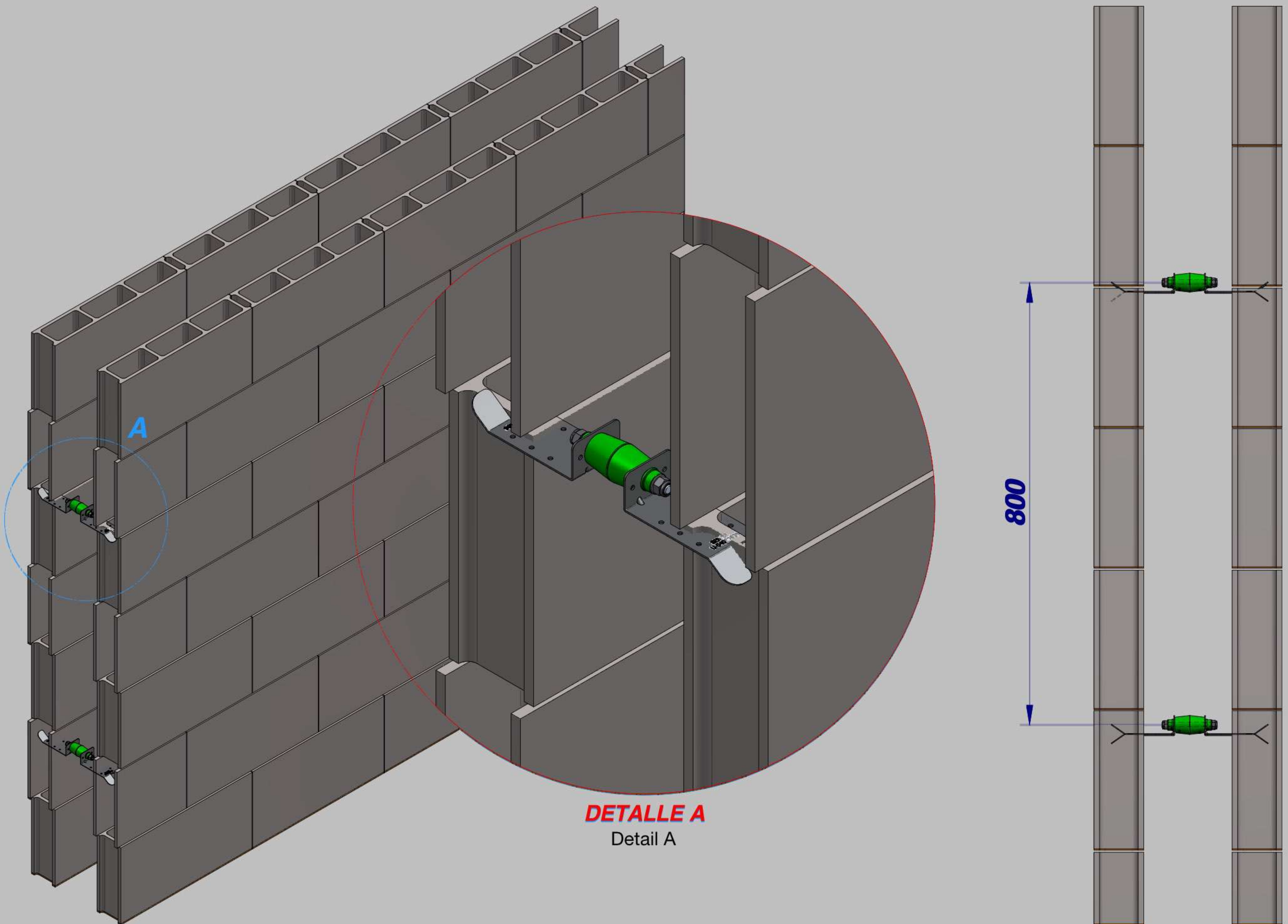
METHOD.

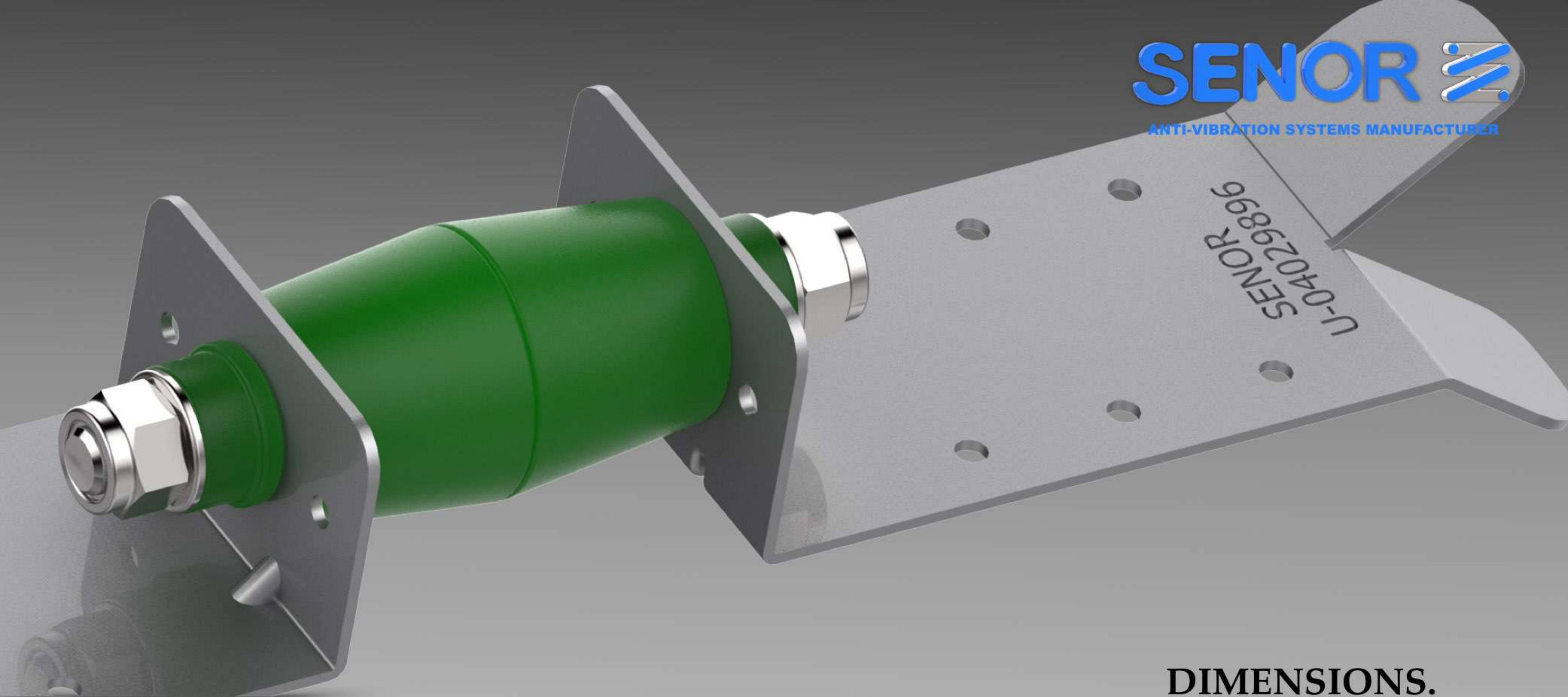
Choose the correct load line until it cuts the line of the chosen method. Draw a vertical line until reaching the **Lab Resonance Frequency (Hz)** curve of the same color. From here, if the following drawn line is horizontal we will get the natural resonance frequency, if on the contrary, it is vertical we will get the deflection or desired deformation in millimeters.

7600-LD "CERAMIC PARTITION WALL

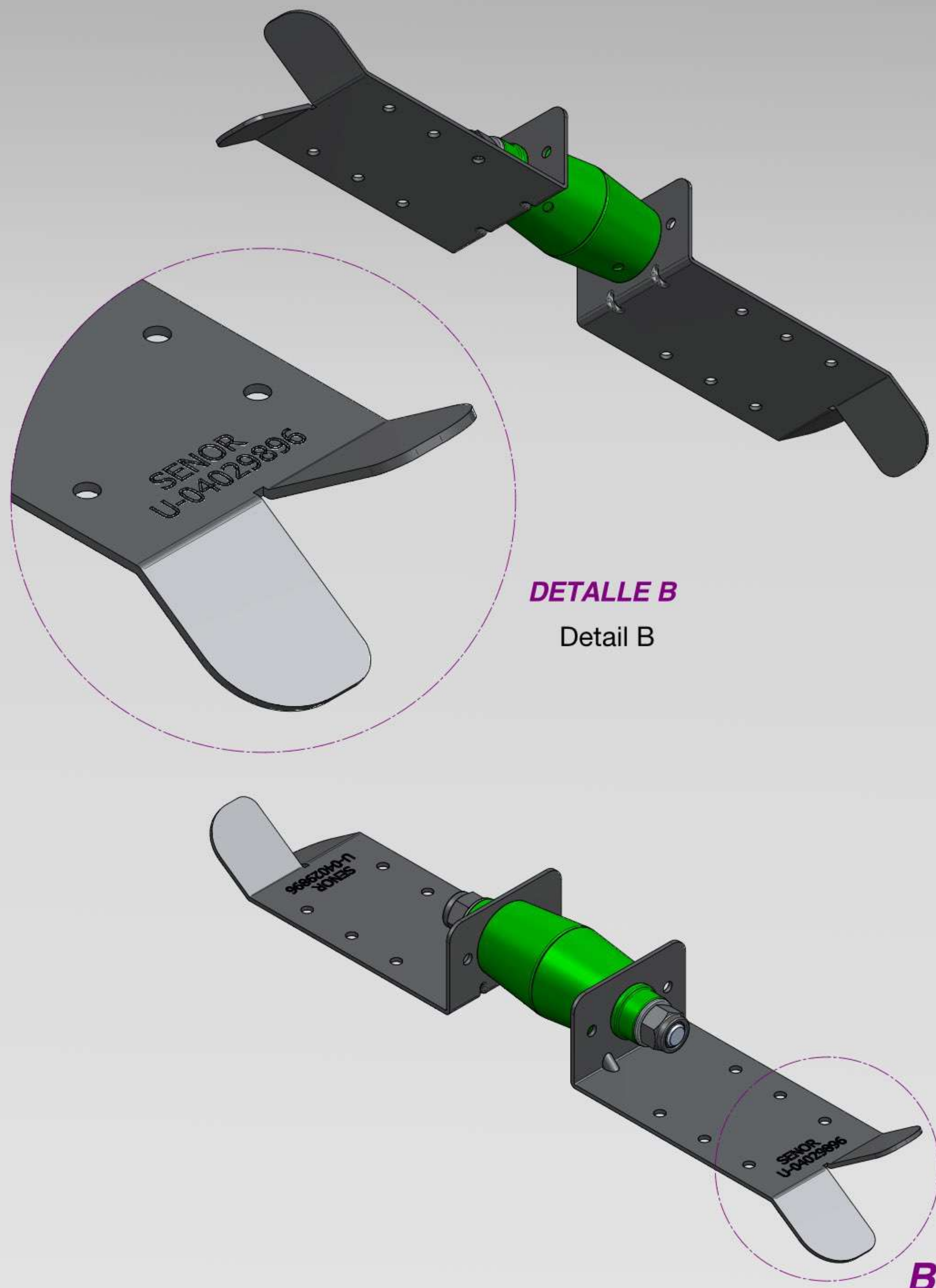
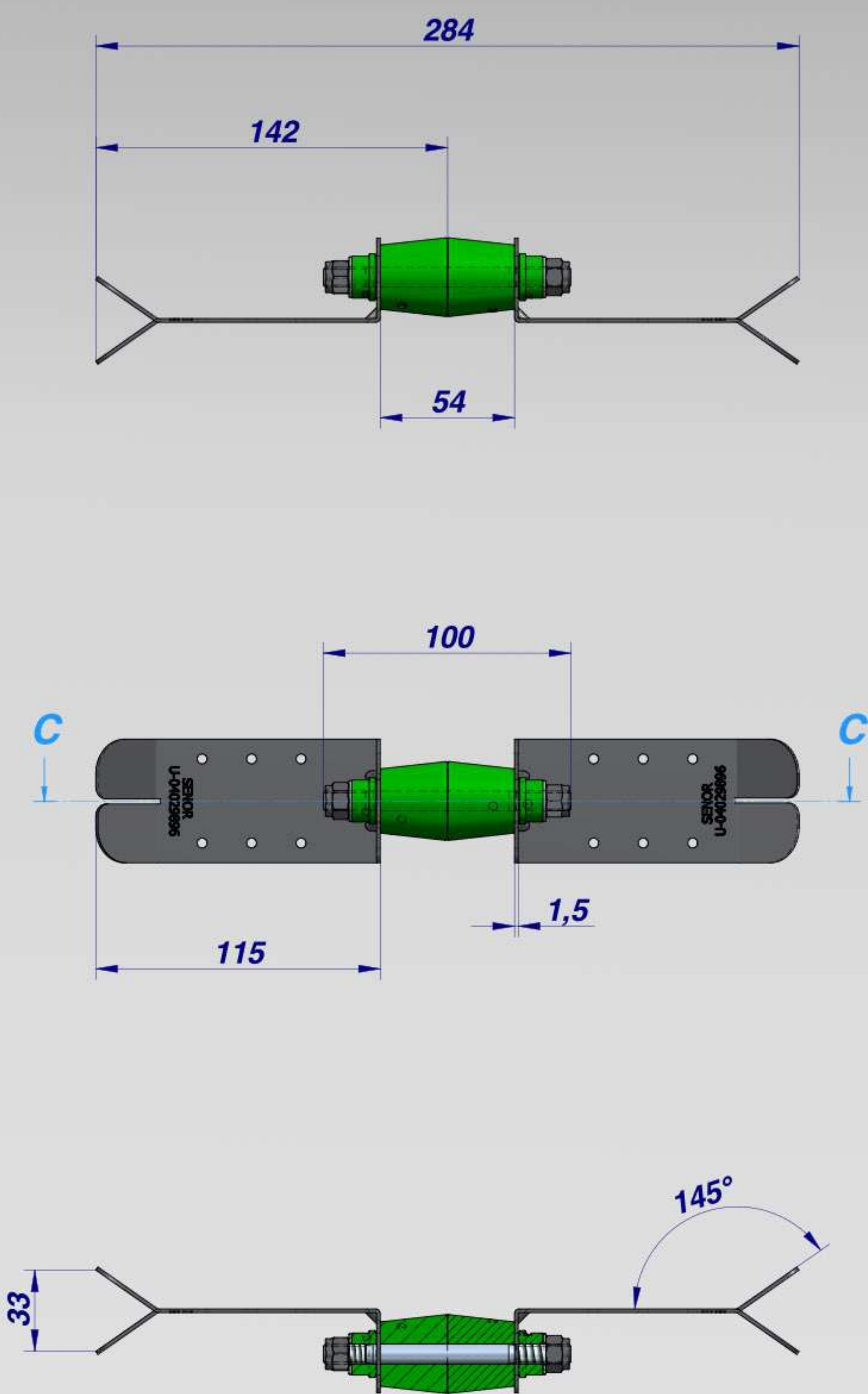
Revolution in the vibro-mechanical field.

BETTER IMPOSSIBLE !





DIMENSIONS.



DETALLE B
Detail B

CORTE C-C
Section C-C

Notice

SENOR; reserves the right of changing the technical specifications of the product without notice. It is the user's responsibility to know and use the last version of the data sheets of the products, copy of which will be sent to whom may request it. This information and, in particular, the recommendations relative to the application and final use of the product, are provided in good faith, based in the current knowledge and the experience of "SENOR" of its products, when properly installed, under normal circumstances, and within its shelf life.

7600-LD "CERAMIC PARTITION WALL

Revolution in the vibro-mechanical field.

BETTER IMPOSSIBLE !

BUREAU VERITAS
Certification



Certificación Certification

Concedida a / Awarded to

SUSPENSIONES ELASTICAS DEL NORTE SL

PLG. IND. EL GARROTAL, PARCELA 10 MODULO 5 MODULO 5
14700 PALMA DEL RIO
SPAIN

Bureau Veritas Certification certifica que el Sistema de Gestión ha sido auditado y encontrado conforme con los requisitos de la norma:

Bureau Veritas certify that the Management System has been audited and found to be in accordance with the requirements of standard:

NORMA / STANDARD

ISO 9001:2008

El Sistema de Gestión se aplica a:
Scope of certification:

DISEÑO, DESARROLLO Y FABRICACIÓN DE AISLADORES ACÚSTICOS PARA LA ERRADICACIÓN DE LAS VIBRACIONES Y LA CONTAMINACIÓN POR RUIDO PARA SU APLICACIÓN EN LOS SECTORES DE LA CONSTRUCCIÓN Y LA INDUSTRIA.

DESIGN, PRODUCTION AND ASSEMBLY OF ACUSTIC ISOLATORS FOR THESUSPENSION OF FALSE ROOFS, WALLS AND FLOORS. COMMERCIALIZATION OF ACUSTIC AND WATERFIGHT BANDS AND ACUSTIC ISOLATORS.

Número del Certificado
Certificate Number

ES059307-1

Directora de Certificación / Certification
Manager

Aprobación original :
Original approval date :

25/09/2002

Certificado en vigor:
Effective date:

04/10/2014

Caducidad del certificado:
Certificate expiration date:

03/10/2017

Este certificado está sujeto a los términos y condiciones generales y particulares de los servicios de certificación
This certificate is valid, subject to the general and specific terms and conditions of certification services

Entidad de Certificación / Certification Body: Bureau Veritas Iberia S.L.
C/ Valportillo Primera 22-24, Edificio Caoba, Pol. Ind. La granja, 28108 Alcobendas - Madrid, Spain



WE CERTIFY.- That all of our products of construction range for supporting ceramic partition wall of double layer, have a aging life of more than 3000 florida hours.

UV and Weather Resistance Tests according to PV3930 (Florida).

Instrumentation:

Test Results after 3000 hours, according to CIELAB (DIN 6174) and DIN EN 20105-A02

Xenon Test Chamber with water spray mod. 3100 HS.

Colorimeter Datacolor mod. Spectroflash 450.

Zwick Durometer

Weathering condition.

Test time: 3000 h

Irradiation: 0,5 W/m2 (340 nm)

Black panel: 65°C

Air temperature: 35-45°C

Relative humidity: 60 - 80%

Cycle: 102' light + 18' light + spray