

4360/60 A DS MODEL

RUBBER + STEEL HANGER WITH DIRECT FASTENING TO TC60 METAL CHANNEL

The **4360/60 A DS** model is a **RUBBER + STEEL** hanger with locking device (DS) devised to provide quality to any given acoustic system and to eradicate sound frequencies and vibrations. This hanger get fastened into the channel easily and quickly thanks to our exclusive design. **We are the only ones who can manufacture it.**

The **4360/60 A DS** model is made of a high quality polymer (rubber) which provides improvements in the **vibro-acoustic** field. Its main use is to hang acoustic gypsum plasterboard ceilings using metal channels such as TC60.

The **polymer** of this hanger is **KRAIBURG-TPE** tested according to standard **UNE-EN ISO 10846-1:2009**. (UNE: Spanish Association for Standardization). It reaches a resonance frequency of **7-15 Hz**.

**This product has been registered in the Spanish Patents and Trademarks Office.*



USES

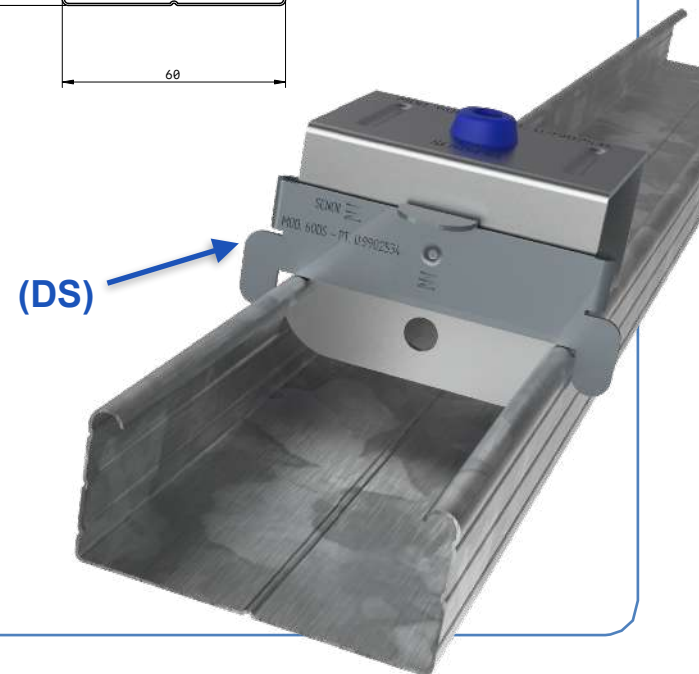
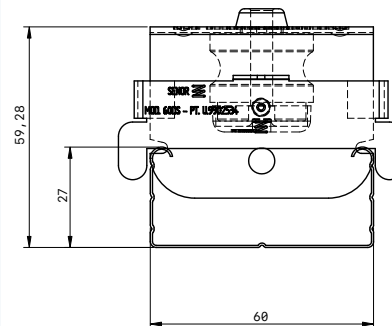
Its main use is the installation of acoustic ceilings using galvanized steel channel such as TC60

50



METAL CHANNEL

Galvanized steel ceiling channel of 60 millimeters.



REF	COLOUR	METRIC MIN-MAX	CHANNEL (mm)	LOAD(Kg) MIN-MAX	PACKING
SE-4360/60 ADS/24		6 - 8	45 - 48	27 - 50	24
SE-4360/60 ADS/80		6 - 8	45 - 48	27 - 50	80

4360/60 A DS MODEL



SEÑOR Aisladores Acústicos

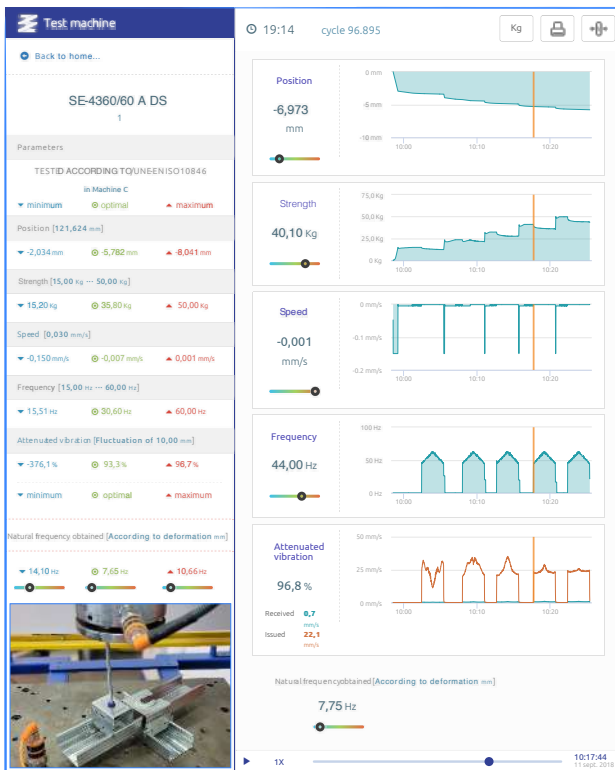
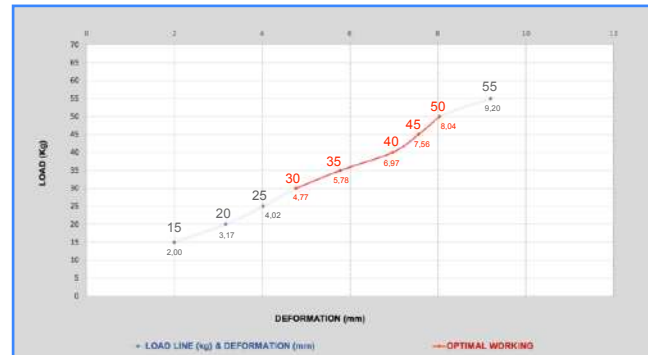
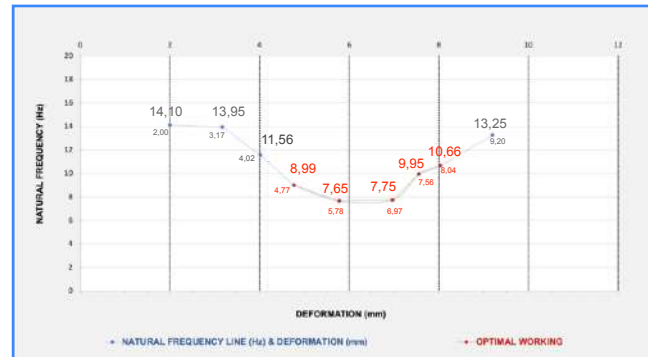


Chart 1



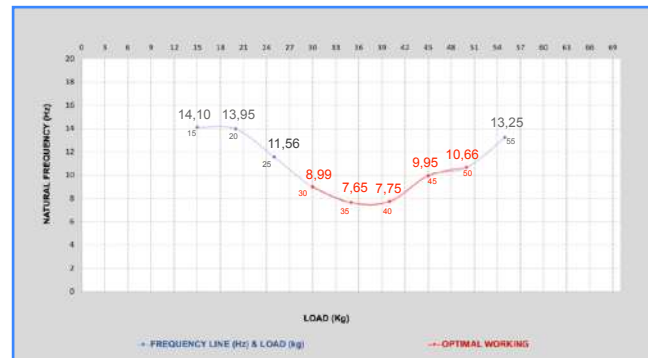
Laboratory test
UNE-EN ISO 10846-1:2009

Chart 2



LOAD (Kg)	DEFORMATION (mm)	RESONANCE FREQUENCY (Hz)	SWEEP (Hz)		SOUNDPROOFING LEVEL (%)	
25	4,02	11,56	25	50	72,80	94,35
30	4,77	8,99	25	50	85,15	96,66
35	5,78	7,65	25	50	89,67	97,65
40	6,97	7,75	25	50	89,37	97,54
45	7,56	9,95	25	50	81,18	95,88
50	8,04	10,66	25	50	77,78	95,24

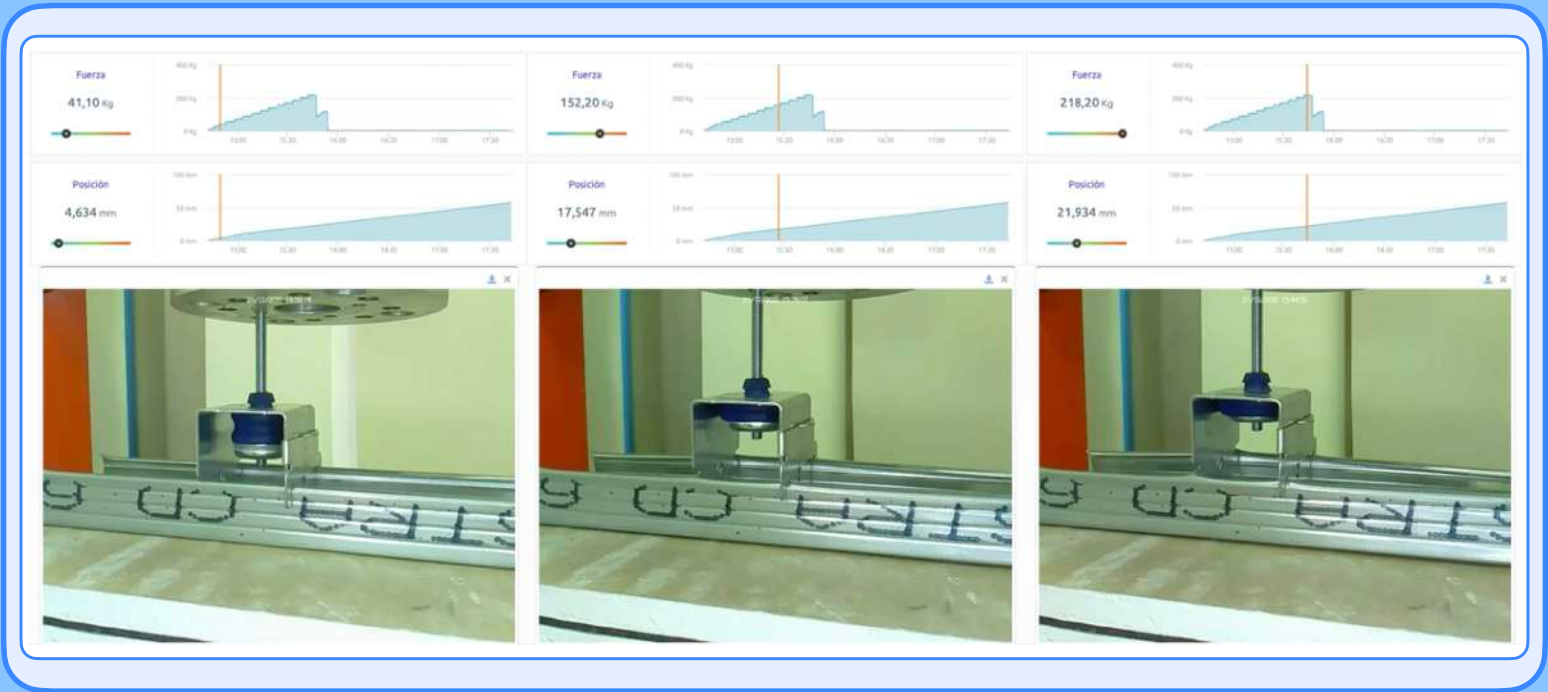
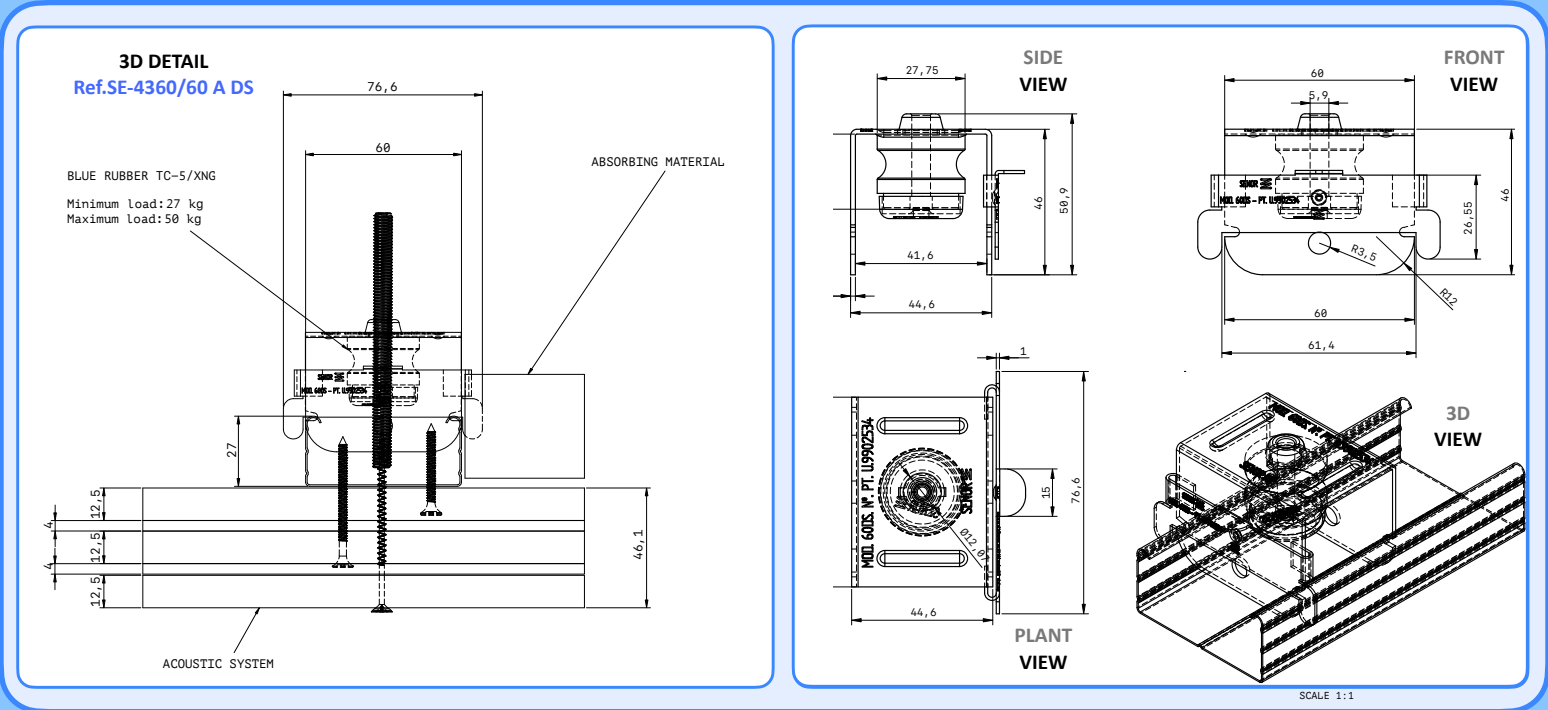
Chart 3





*SEÑOR Aisladores Acústicos

4360/60 A DS MODEL



Applied load: 41,10 Kg

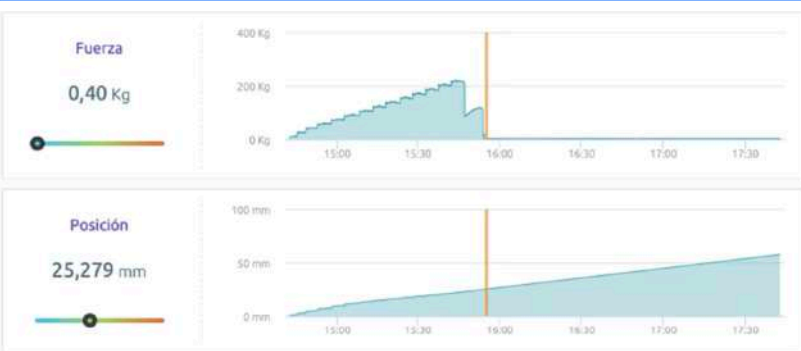
Applied load: 152,20 Kg

Applied load: 218,20 Kg

4360/60 A DS MODEL



SENOR Aisladores Acústicos



Test date:
SENOR 21st December 2020

Failure mode

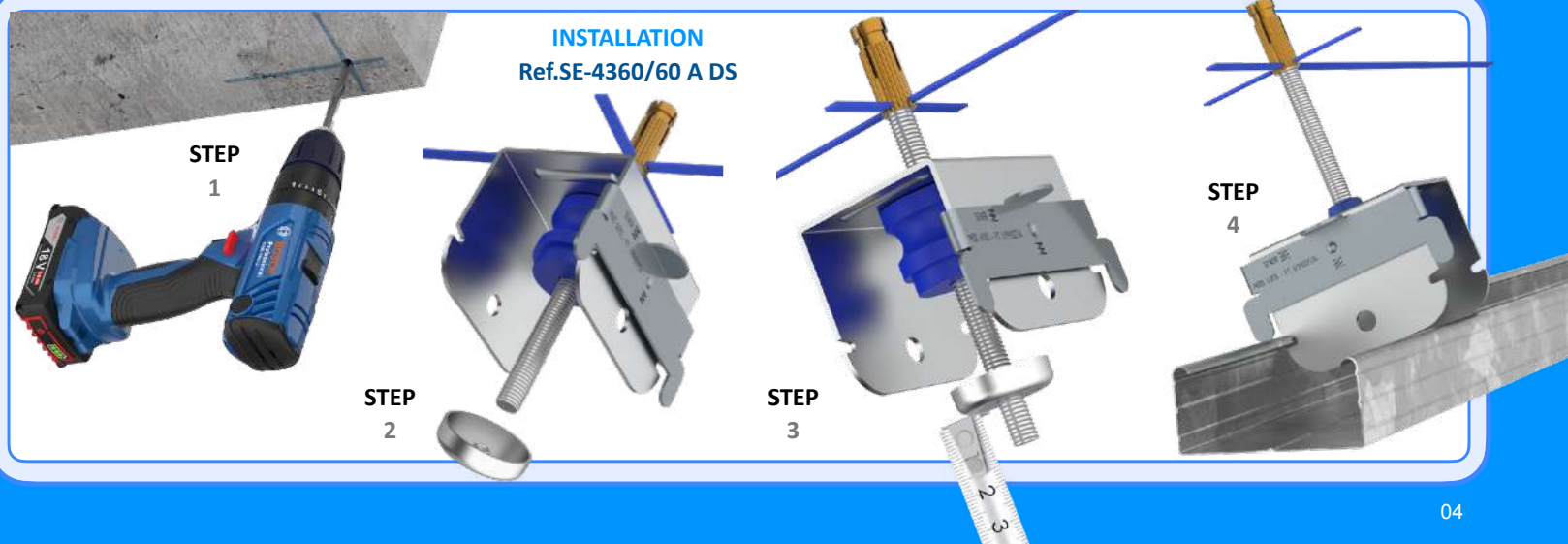
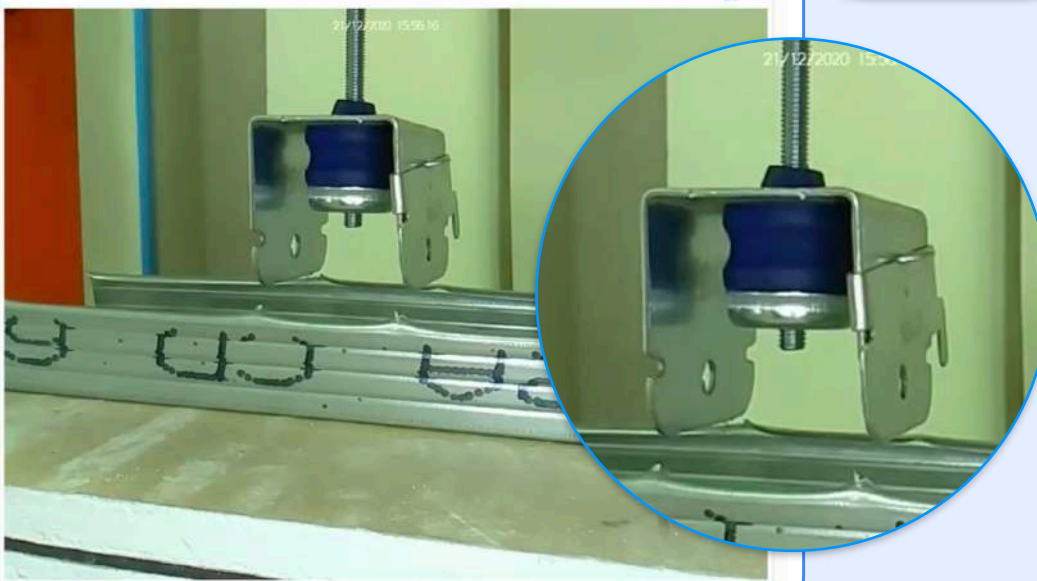
This acoustic hanger exceeds the elastic limit of ceiling channel by reaching **218,20 Kg**. In this case, load line goes down reaching **0,40 Kg**.

The burst test is concluded.

Conclusion

This hanger is designed to bear loads between **27 - 50 kg** (maximum load).

It strictly complies with standard **UNE-EN 13964:2016/A1**.
Suspended ceiling. Requirements and test methods.
(UNE: Spanish Association for Standardization).



INSTALLATION

Ref.SE-4360/60 A DS

STEP 1

STEP 2

STEP 3

STEP 4