

SENOR 

# ACOUSTIC Wall lining

PERFORMANCE AND DESIGN AT THE EDGE OF IMPOSSIBLE.



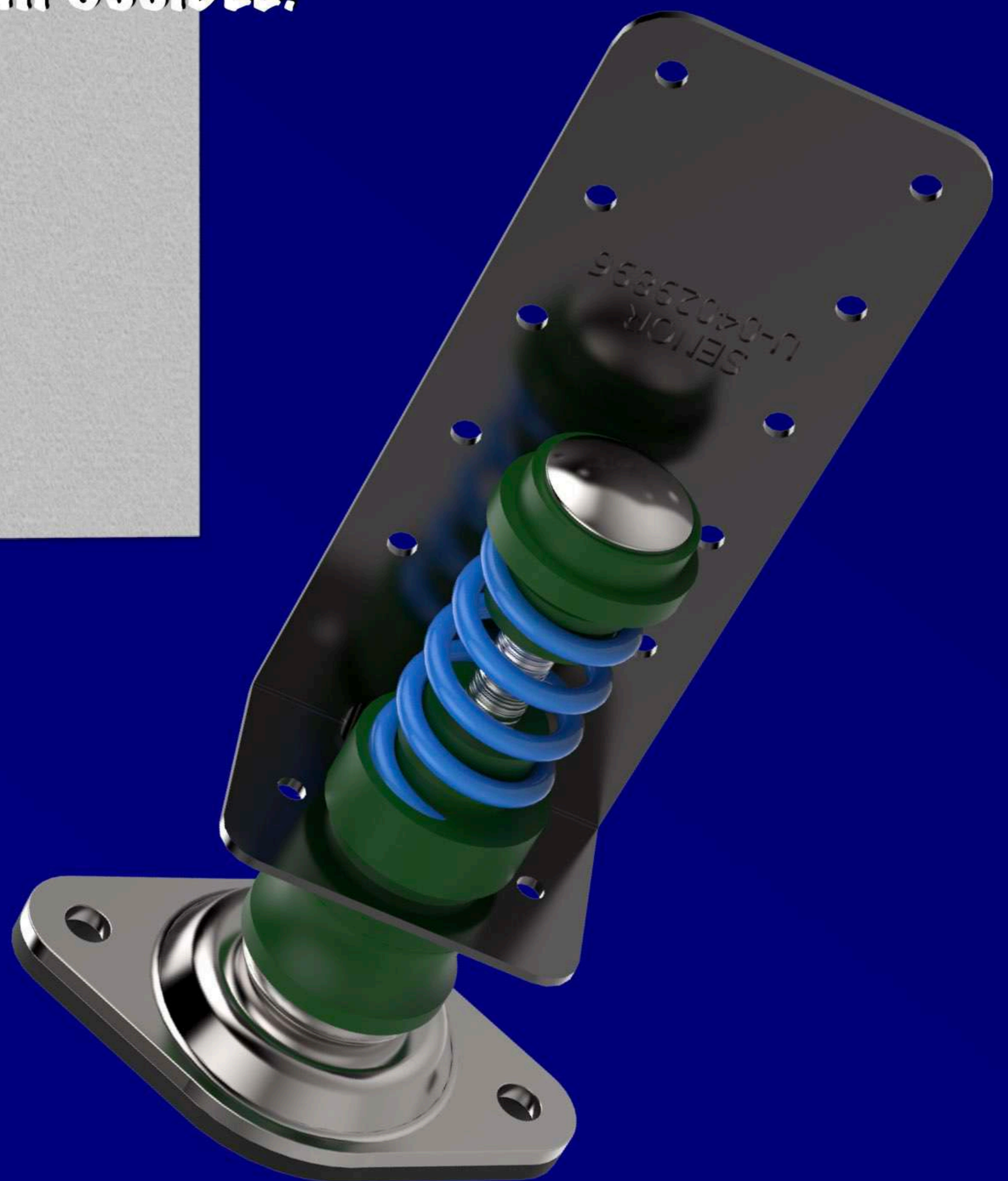
Model

4800/TDM



Year of edition 2017

SENOR 





# ACOUSTIC Wall lining

## Mod. 4800/TDM

**DESCRIPTION** Fourth-generation hybrid isolators with double fastening to wall, rigorously manufactured to support false partition walls or acoustic wall linings. **Exclusive design "SENOR"**

**It is an unique isolator which stands out for its simplicity.** This new series of isolators with double polymer core, (**MEGOL**) + the combination of the helical steel wire, (**Spring**) are designed to eradicate and attenuate the transmission of vibrations caused by **shocks, impacts** or **vibro-mechanical** energy coming from equipment generating acoustic pollution above the **audible field** threshold ( **20Hz.**).

### CHARACTERISTICS

Polymer "**MEGOL-IA 30C-UG/UVI F/P1250SPE25**" according to norm **UNE EN 13964**.

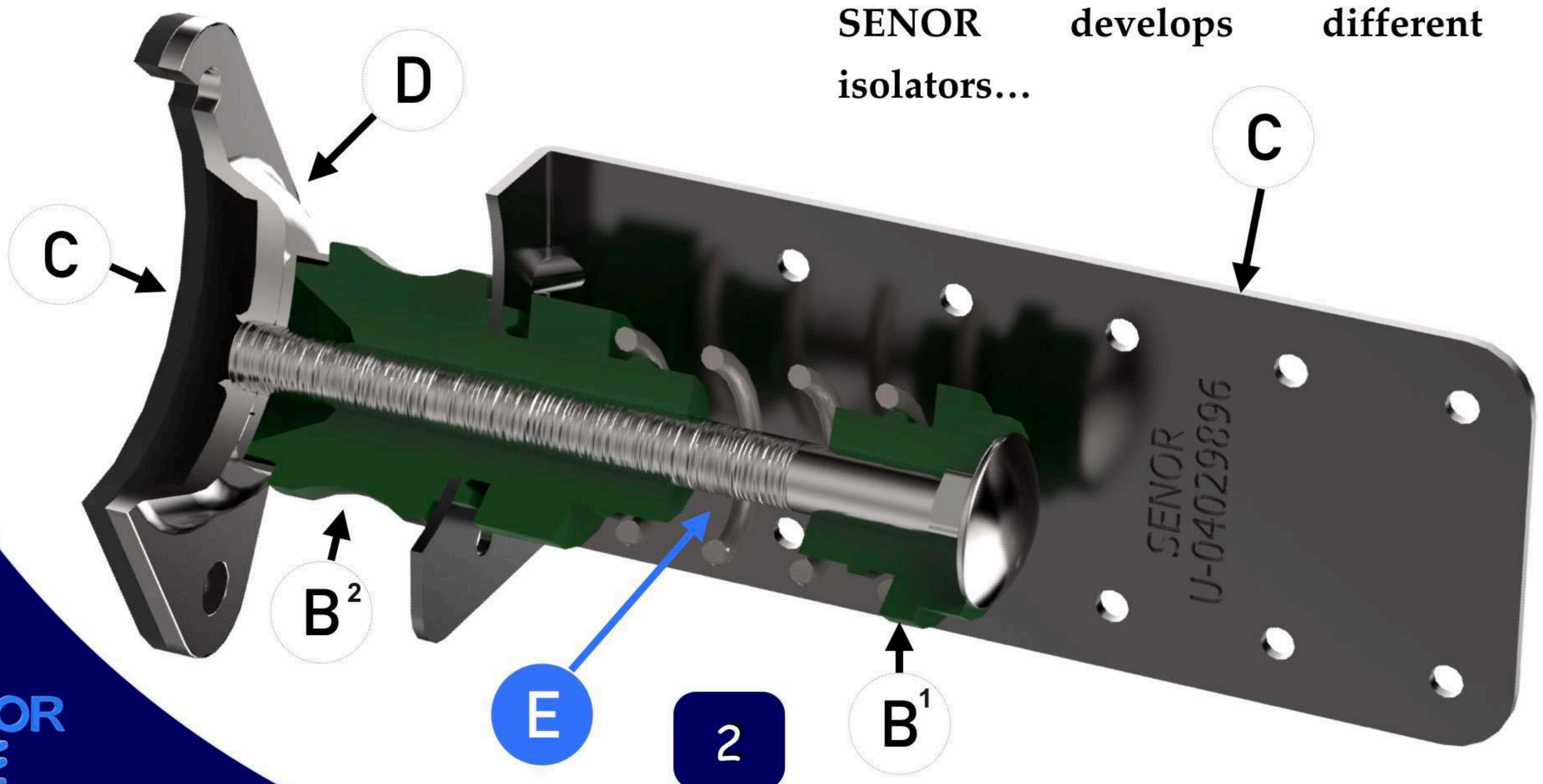
Available color of MEGOL; **GREEN**



This new product presents **a higher damping factor** than **standardized rubbers, Polyurethane, polyethylene, EPDM, etc..** and a high isolation degree against vibration in the range of **medium / low frequencies**.

The Model **4800/TDM** combines an innovative product "**MEGOL**" along with the helical spring. This juxtaposition allows us launching to the market the best isolator of the moment, eradicating pollution due to vibro-mechanical energy.

**SENOR develops different isolators...**





## Model **4800/TDM**

**Steel extension bracket.** Only one steel thickness available.

► Galvanized steel of 1,5 mm

**Mod. No.: 4800/TDM**

**More robust.** Designed for a bigger air chamber.

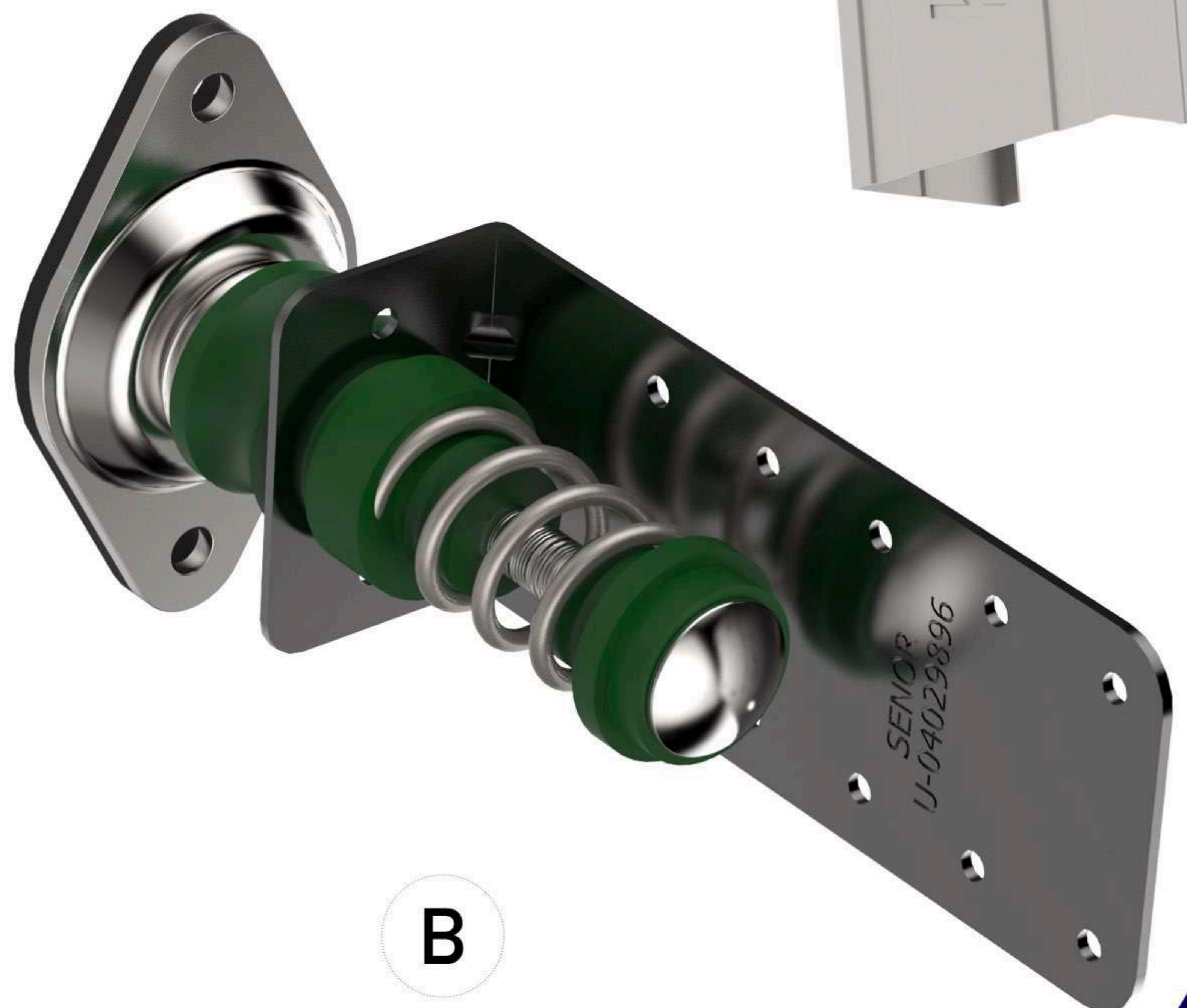
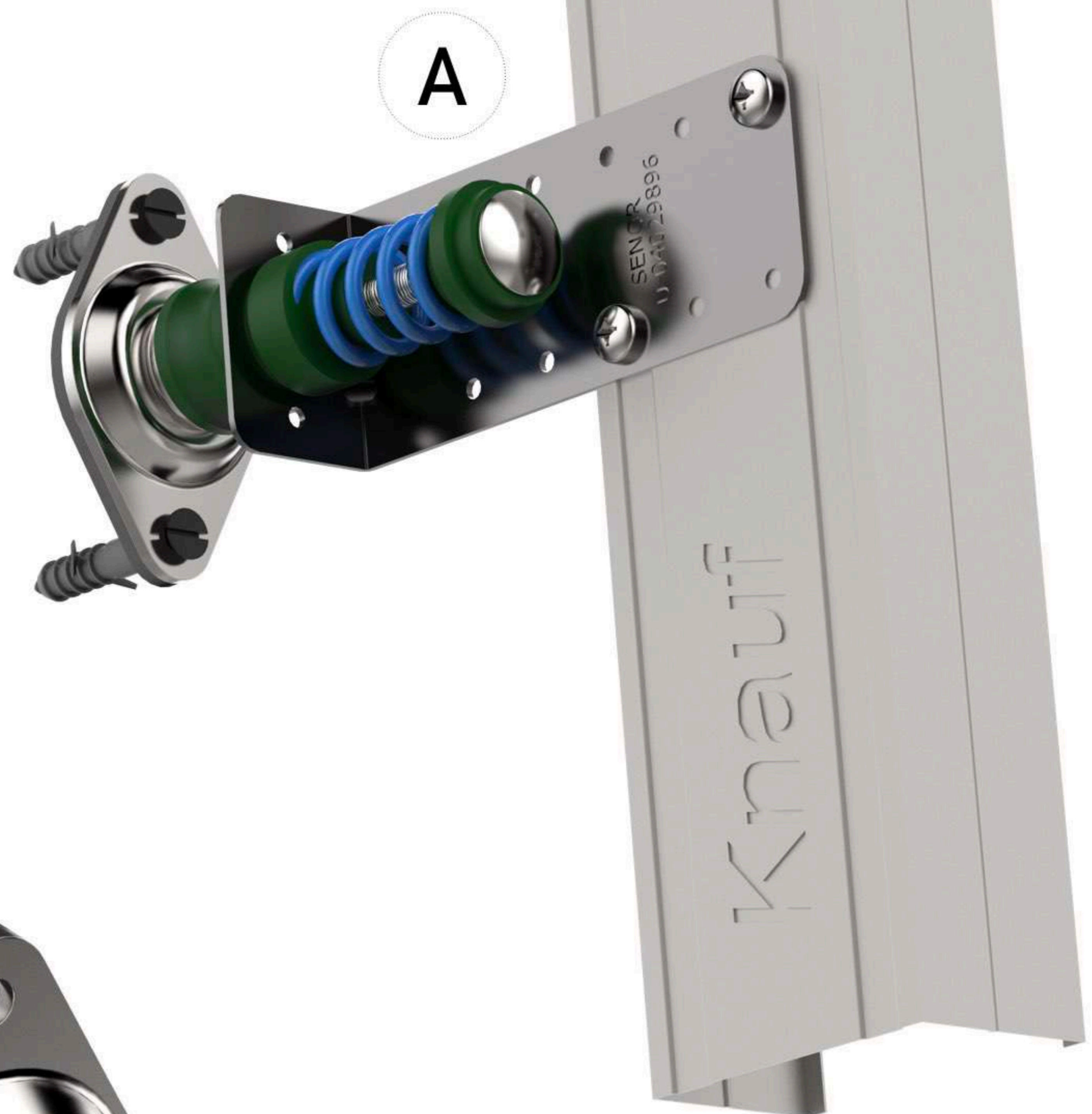
**Ref. No.**

✓ **4800/TDM-15 Grey**  
load between **3-15 Kg**

✓ **4800/TDM-30 Green**  
load between **15-30 Kg**

✓ **4800/TDM-50 Blue**  
load between **30-50 Kg**

✓ **4800/TDM-75 Red**  
load between **50-75 Kg**



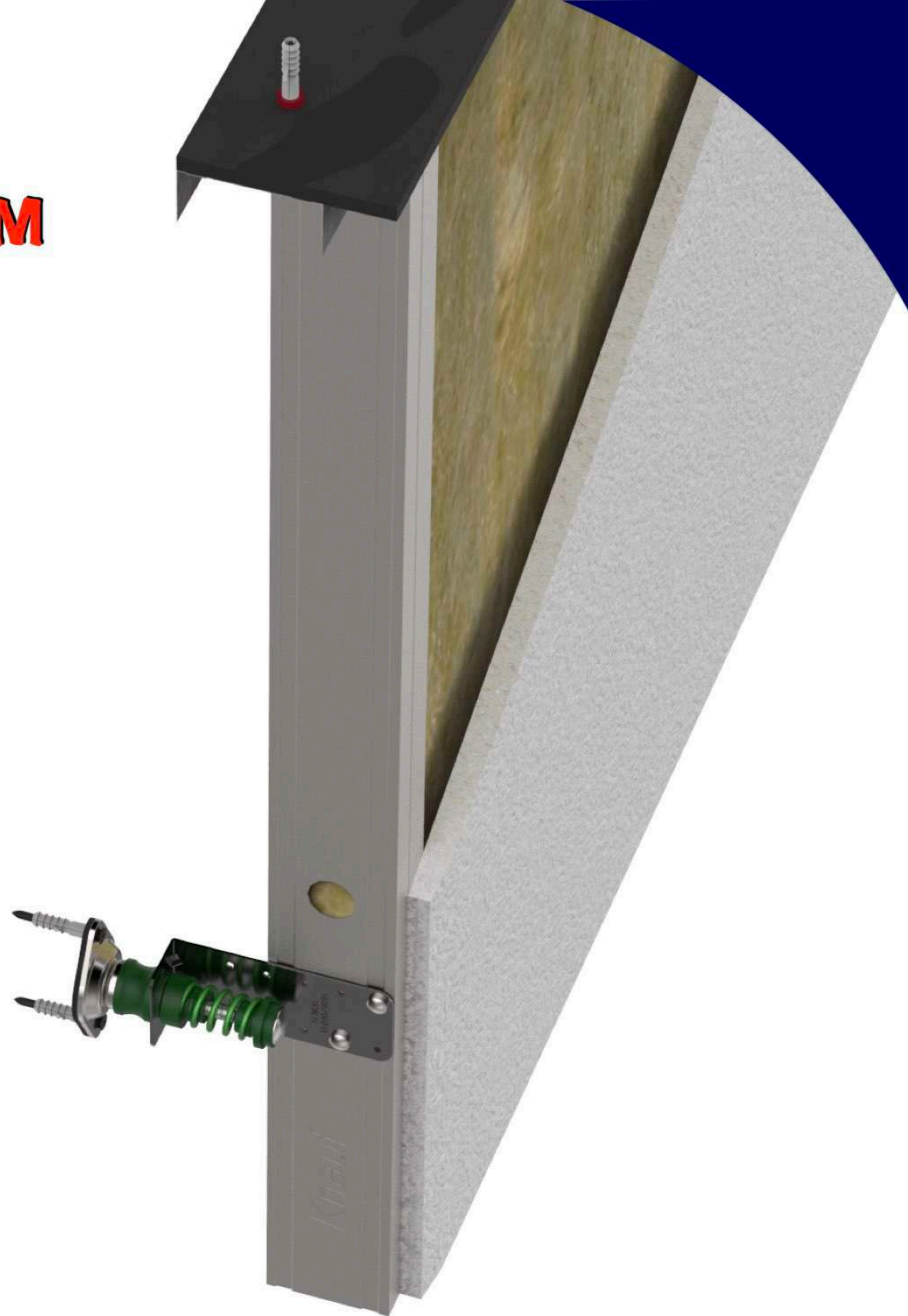
Polymer "MEGOL-IA 30C-UG/UVI F/P1250SPE25"  
according to norm UNE EN 13964.



## Model **4800/TDM**



- Galvanized steel of 1,5 mm  
Ref. No.: 4800/TDM-75



**C**

**Sheet BEC-3**; it is an acoustic microcellular band made with **CAU EPDM 130 RE-42 Black**. It facilitates the settlement of the isolator on the wall, absorbing any small imperfection which may be present in the original wall.

**D**

**Oval-shaped steel plate**, made with rolled steel type **DC04** with inlay according to steel norm EN 10131.

This design allows increasing the mechanical resistance of the piece, since it has two holes in the **NON-INLAID** zone, ensuring that the applied tensions do not damage the central thread or deform the piece during the fixing process.



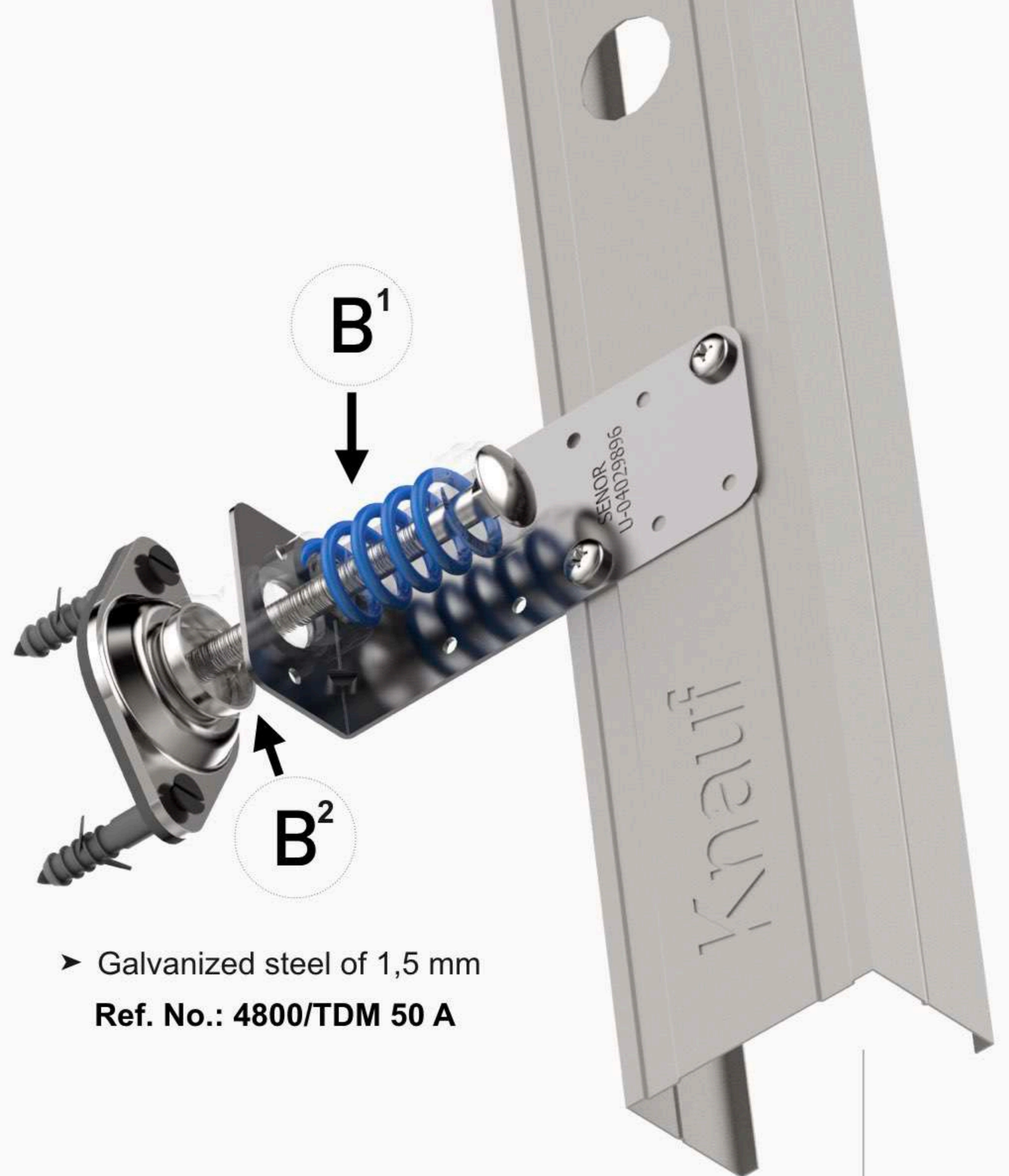
# Model 4800/TDM

## OPTIMUM PERFORMANCE:

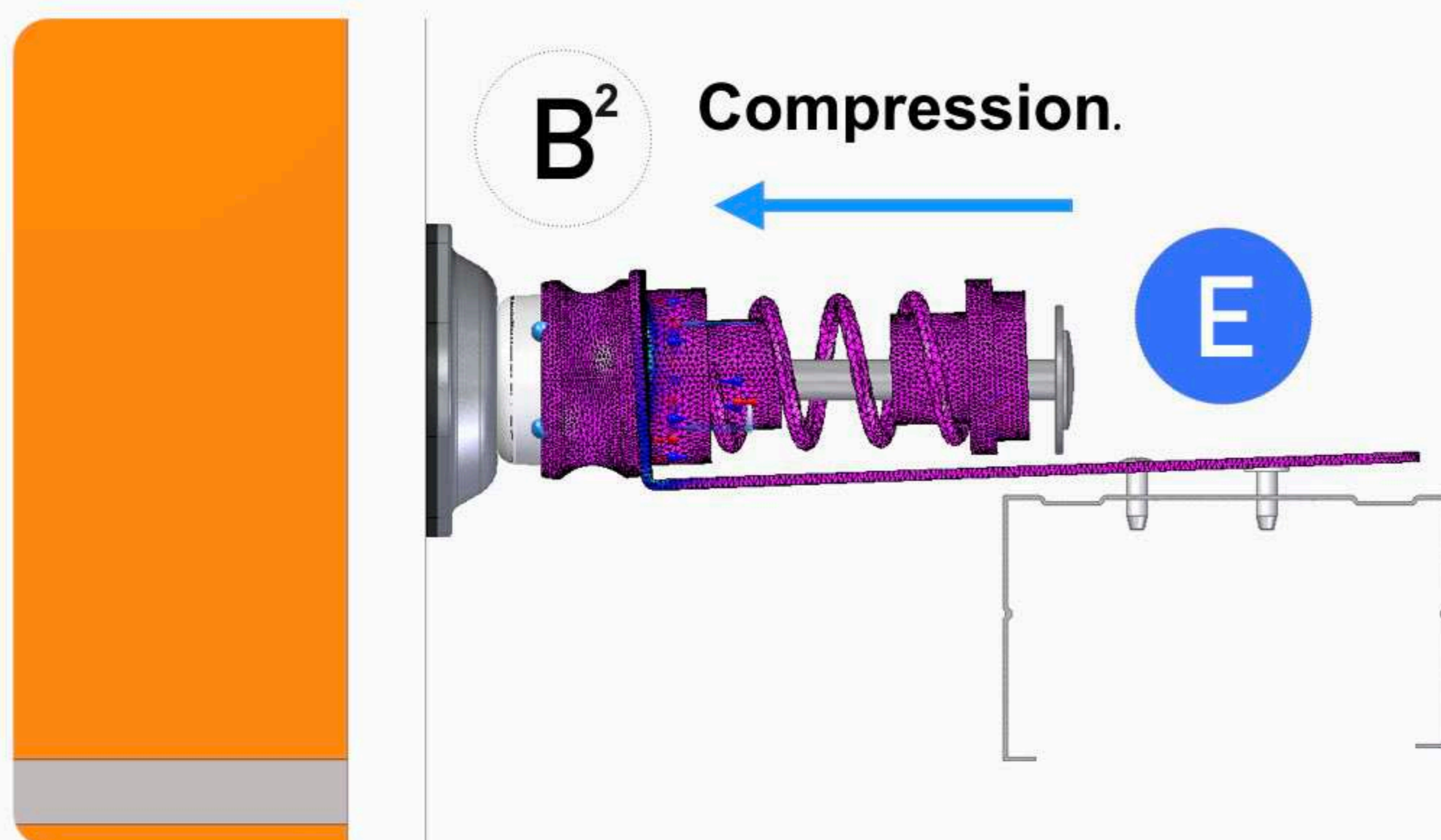
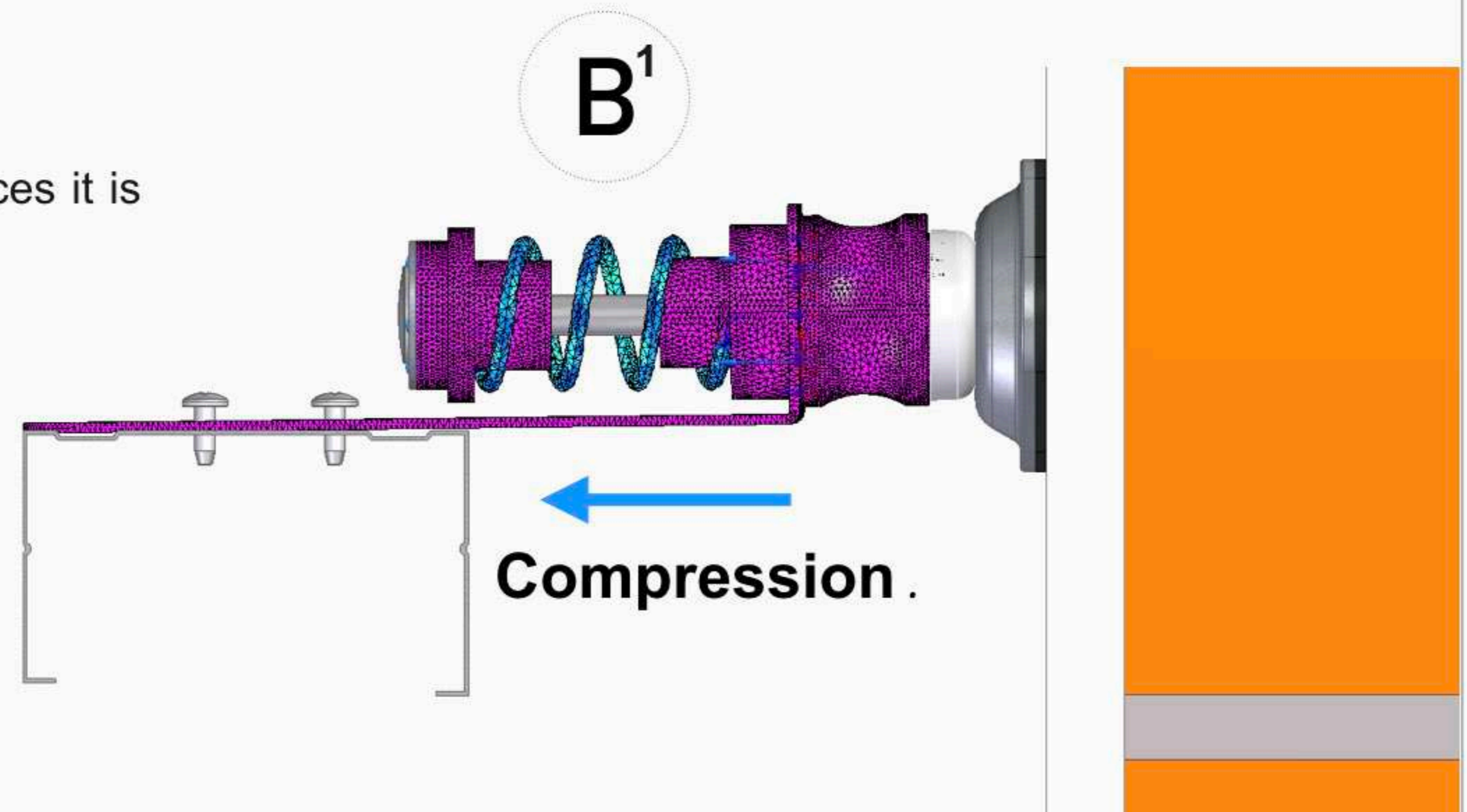
When exciting an acoustic treatment and it starts vibrating, it generates a **to and fro** motion, hence, we will have to place an isolator which allows working in both directions at the same time. The **4800/TDM** series; incorporates a **“PATENTED”** movement control and translation system which allows the metal extension bracket to work free in both directions, that is to say, when fixing the isolator to the wall by screws. It remains totally fixed, allowing the steel bracket to remain totally free, making possible the compression of the hybrid system, both inward and outward. The steel screw (**E**) allows to restrict freedom degrees and it favors the axial movement.

The compression effort is the result of the tensions and pressures existing inside a deformable solid or continuous medium, characterised because it tends to a volume reduction of the body, and also a shortening of it in a specific direction (**Poisson's ratio**).

In general, when a material is subjected to a set of forces it is produced **flexion**, as well as shearing or **torsion**



► Galvanized steel of 1,5 mm  
Ref. No.: 4800/TDM 50 A



all these efforts entail the appearance of tensions, both traction and compression. Although in engineering it is distinguished between the compression effort (**axial**) and the compression tension.



# ACOUSTIC Wall lining

SENOR develops different isolators...



## REGULATION.

The 4800/TDM series; meet the norm UNE 37-507-88. Warm galvanized coatings for screws and other fixing elements.

In the event of fire, the polymer "Isolator" will disappear, but the fastening will remain thanks to the fixing screw. "MAXIMUM SAFETY".



► Galvanized steel of 1,5 mm  
Ref. No.: 4800/TDM-50





**RETAIL PRICE**

Model **4800/TDM**

Model	Reference
 <p>SE-4800/TDM 15 Steel thickness 1,5 mm</p>	
 <p>4800/TDM HYBRID + MEGOL</p>	<p>SE-4800/TDM 30 Steel thickness 1,5 mm</p>
	<p>SE-4800/TDM 50 Steel thickness 1,5 mm</p>
	<p>SE-4800/TDM 75 Steel thickness 1,5 mm</p>

**SENR develops different isolators...**

For further information " **SEE DATA SHEET** "

**\*Registered Product in the Spanish Patent and Trademarks Office \***