

4360/47 V DS MODEL

RUBBER + STEEL HANGER WITH DIRECT FASTENING TO METAL CHANNEL TYPE TC45/48

The **4360/47 V DS** model is a **RUBBER + STEEL** hanger with locking device (**DS**) devised to provide quality to any given acoustic system and to eradicate sound frequencies and vibrations. This hanger get fastened into the channel easily and quickly thanks to our exclusive design. [We are the only ones who can manufacture it.](#)

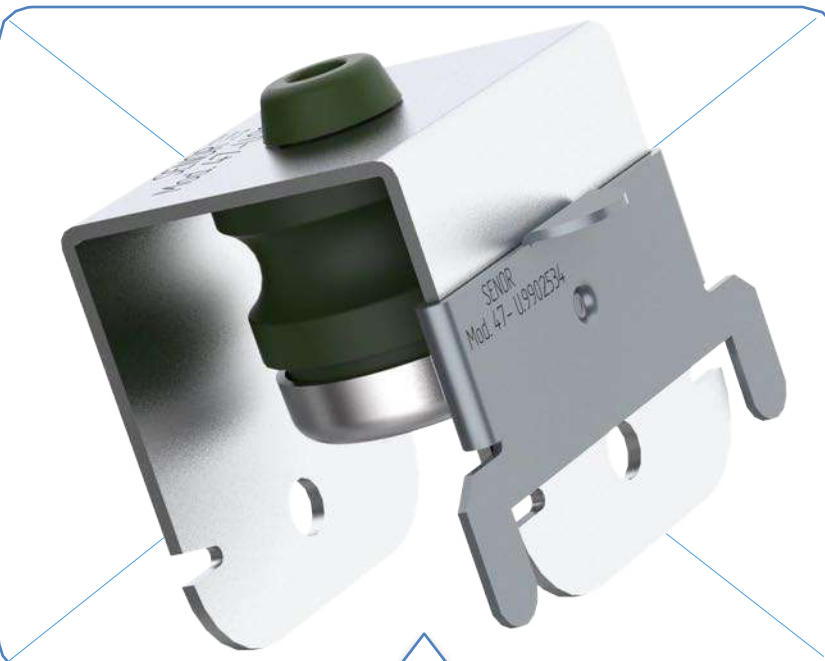
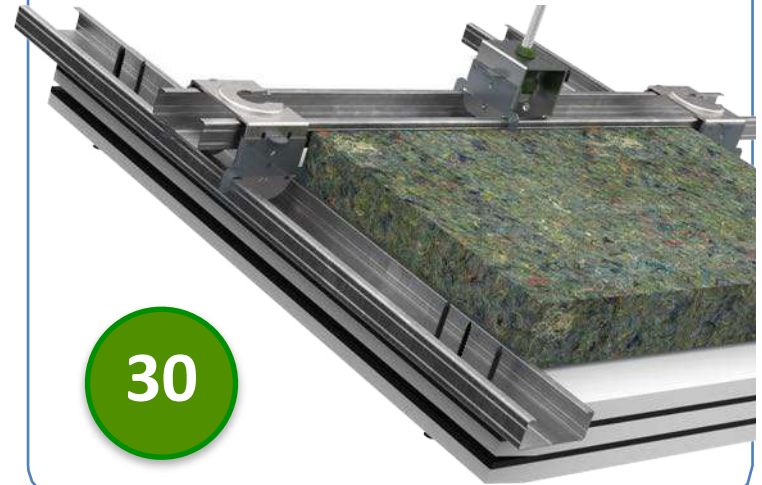
The **4360/47 V DS** model is made of a high quality polymer (rubber) which provides improvements in the vibro-acoustic field. Its main use is to hang acoustic plasterboard ceilings using metal channels such as TC45/48.

The polymer of this hanger is **KRAIBURG-TP**, tested according to standard **UNE-EN ISO 10846-1:2009** (UNE: Spanish Association for Standardization). It reaches a resonance frequency of **7-15 Hz**.

**This product has been registered in the Spanish Patents and Trademarks Office.*

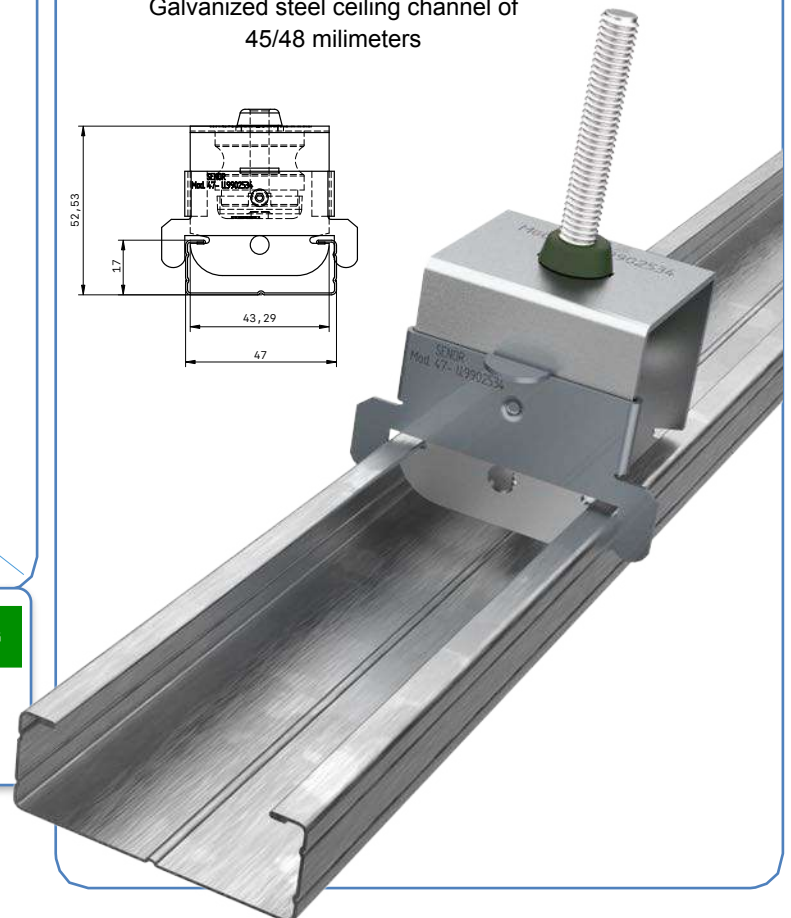
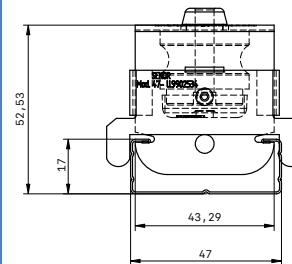
USES

Its main use is the installation of acoustic ceilings using galvanized steel channel such as **F530**, Maestra **4717**, **TC-47** or similars



METAL CHANNEL

Galvanized steel ceiling channel of 45/48 millimeters



REF.	COLOUR	METRIC MIN-MAX	CHANNEL (mm)	LOAD (Kg) MIN-MAX	PACKING
SE-4360/47 VDS/30		6 - 8	45 - 48	8 - 30	30
SE-4360/47 VDS/100		6 - 8	45 - 48	8 - 30	100



*SENROR Aisladores Acústicos

4360/47 V DS MODEL

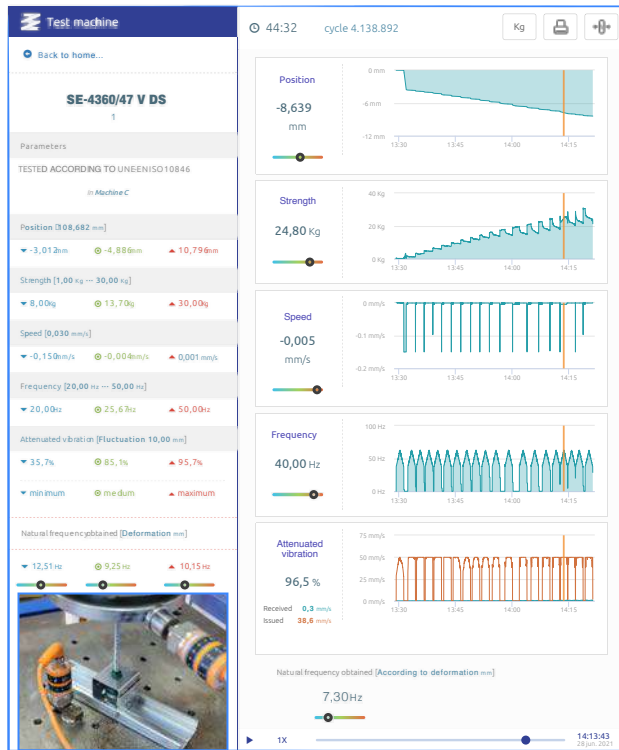
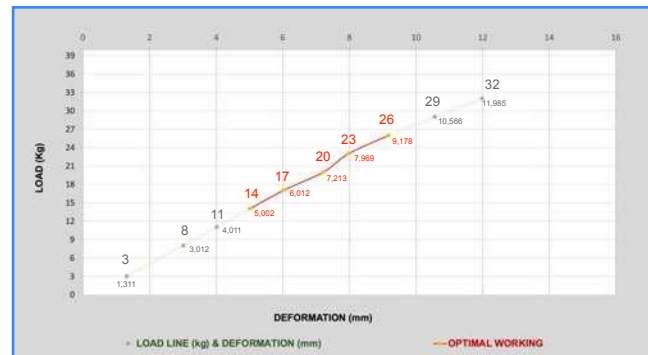


Chart 1



Laboratory test

UNE-EN ISO 10846-1:2009

Chart 2

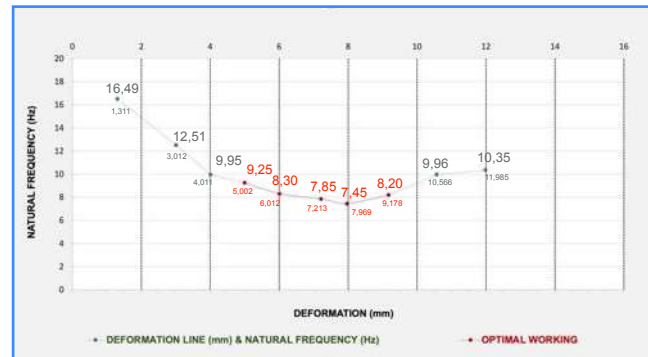
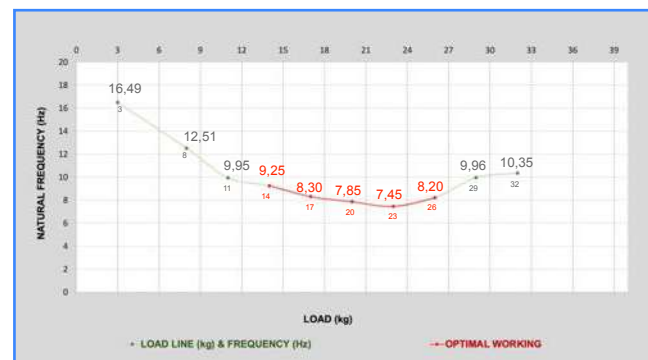


Chart 3



LOAD (Kg)	DEFORMATION (mm)	RESONANCE FREQUENCY (Hz)	SWEEP (Hz)		SOUNDPROOFING LEVEL (%)	
11	4,011	9,95	25	50	81,18	95,88
14	5,002	9,25	25	50	84,14	96,46
17	6,012	8,30	25	50	87,61	97,17
20	7,213	7,85	25	50	89,06	97,47
23	7,969	7,45	25	50	90,25	97,73
26	9,178	8,20	25	50	87,94	97,24



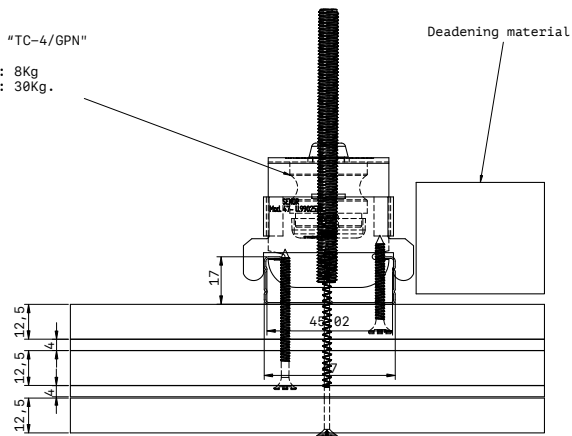
*SEÑOR Aisladores Acústicos

4360/47 V DS MODEL

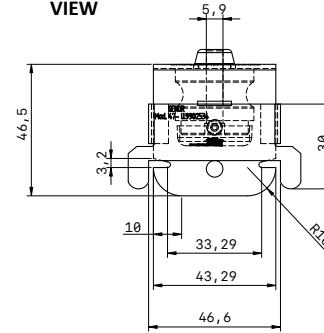
3D DETAIL Ref.SE-4360/47 V DS

GREEN RUBBER "TC-4/GPN"

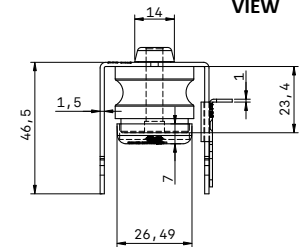
MINIMUM LOAD: 8Kg
MAXIMUM LOAD: 30kg.



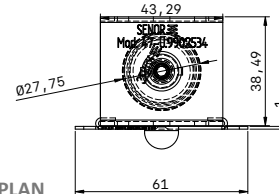
FRONT VIEW



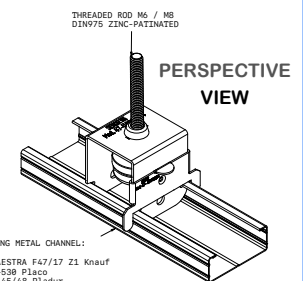
SIDE VIEW



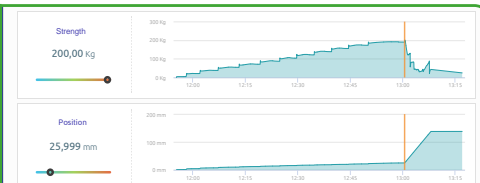
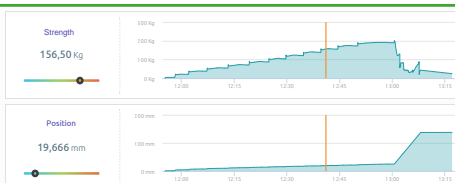
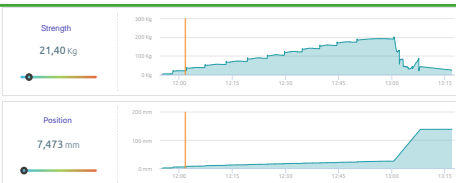
PLAN VIEW



PERSPECTIVE VIEW



CEILING METAL CHANNEL:
1-MAESTRA F47/17 Z1 Knauf
2-F-538 Placo
3-T-45/48 Pladur
4-Similars



Applied load: 21,4 kg

Applied load: 156,5 kg

Applied load: 200,0 kg



*SEÑOR Aisladores Acústicos

4360/47 V DS MODEL



Test date:

28 June 2021

SEÑOR

Failure mode

This hanger exceeds the elastic limit of ceiling channel by reaching **201,40 kg.**

The burst test is concluded.

Conclusion

This acoustic hanger is designed to bear loads between **8-30kg** (maximum load)

It strictly complies with standard **UNE-EN 13964:2016/A1:** Suspended ceiling. Requirements and test methods. (UNE: Spanish Association for Standardization).



INSTALLATION
Ref.SE-4360/47 V DS

