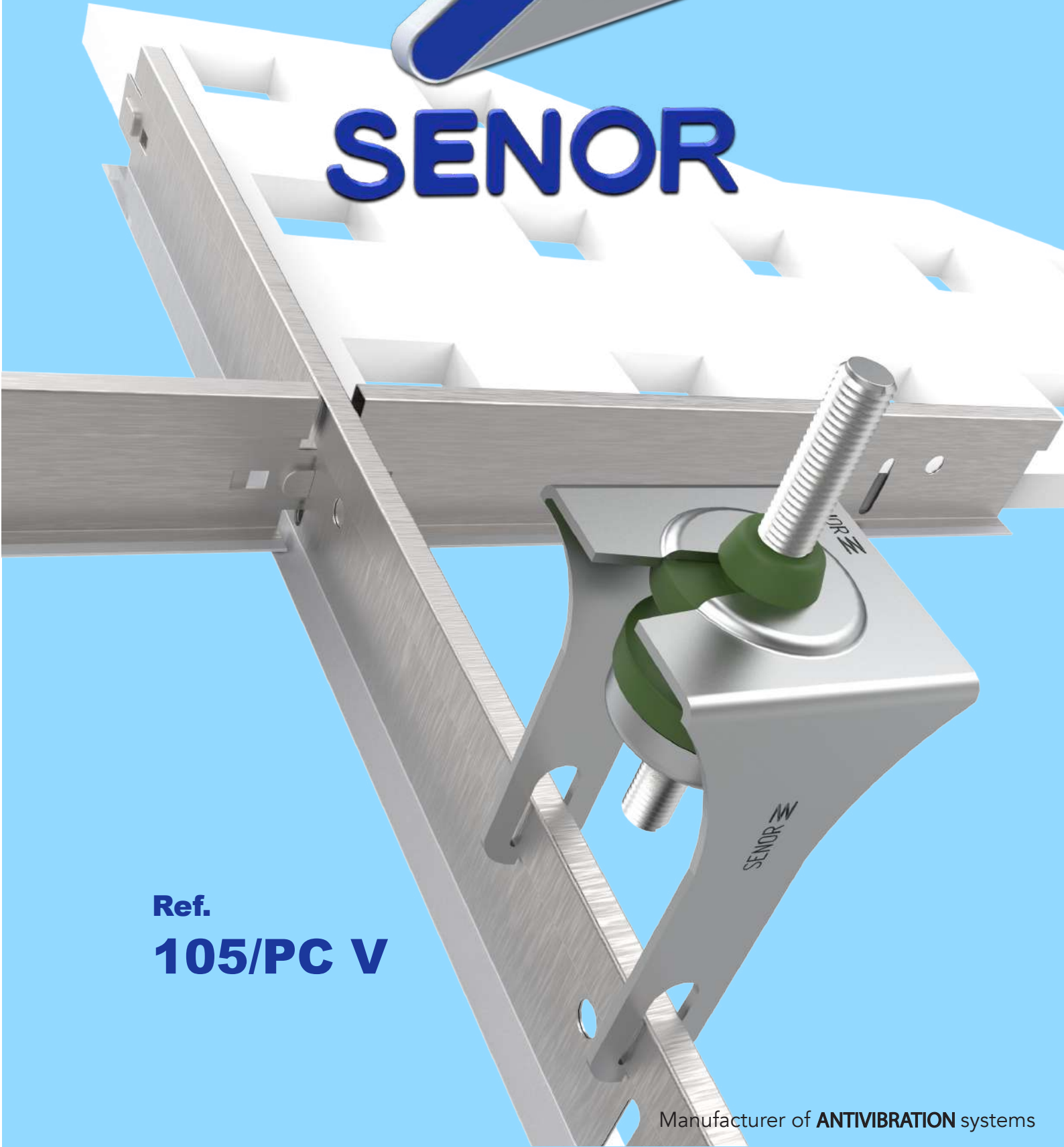


SENOR



Ref.
105/PC V

SUSPENDED Ceiling

Ref.

105/PC V

Introduction

A **DIFFERENT** and **PROFESSIONAL** hanger. It is a renovated **rubber** hanger manufactured with high performance raw materials providing improvement in the vibro-mechanical field.

105/PC V is more than a hanger. It is an **REVOLUTIONARY** acoustic hanger for suspended ceilings with profiles type **T-24** or **T-15** or primary universal profile and secondary profile with click.

105/PC is an **ULTRA FAST** fixation considering that it has the insertion system (**CUG**). **Our engineers** work every day for your security. (*We are the only ones who can manufacture it*).

Ref.
105/PC V



SUSPENDED Ceiling

KEY Features

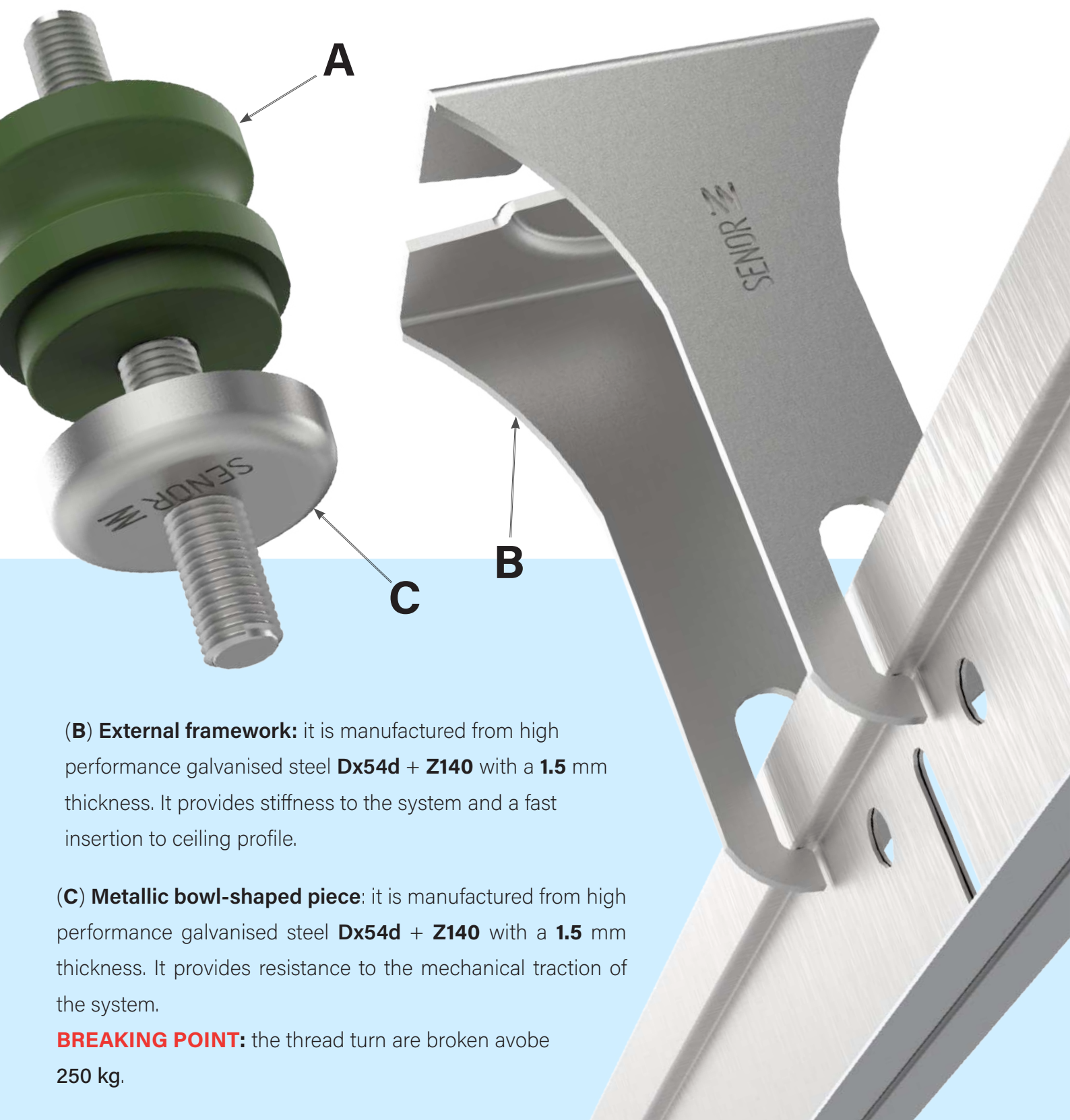
105/PC V: its direct fixation to ceiling profiles type **T-24** or **T-15** makes him an unique product. This hanger is designed to eradicate and attenuate vibrations from units with rotating and repetitive blows above 20 Hz. We find the most powerful **RUBBER** on the market.

(A) **Green rubber:** TC-4/GPN

Loads between **8-30 kg.**

Resonance Frequency **7 to 15 Hz.**

SUSPENDED Ceiling



(B) External framework: it is manufactured from high performance galvanised steel **Dx54d + Z140** with a **1.5** mm thickness. It provides stiffness to the system and a fast insertion to ceiling profile.

(C) Metallic bowl-shaped piece: it is manufactured from high performance galvanised steel **Dx54d + Z140** with a **1.5** mm thickness. It provides resistance to the mechanical traction of the system.

BREAKING POINT: the thread turn are broken above 250 kg.

LABORATORY Test UNE-EN ISO 10846-1:2009

Acoustic and vibrations. Laboratory measurement of vibro-acoustic transfer properties of elastic elements.

Máquina de ensayo

Volver al inicio...

105/PC
1

Receta
E.LABORATORIO P.TRANSFERENCIA/UNE-EN ISO 10846
realizada en Máquina C

Posición [55,718 mm]

▼ -4,506 mm ● -7,176 mm ▲ -10,461 mm

Fuerza [30,00 Kg ... 200,00 Kg]

▼ 5,75 Kg ● 15,60 Kg ▲ 30,00 Kg

Velocidad [0,030 mm/s]

▼ -0,150 mm/s ● -0,010 mm/s ▲ 0,005 mm/s

Frecuencia [15,00 Hz ... 60,00 Hz]

▼ 15,00 Hz ● 25,18 Hz ▲ 50,00 Hz

Frecuencia resultante [Según flecha mm]

▼ 14,24 Hz ● 7,96 Hz ▲ 9,25 Hz

Vibración atenuada [Oscilación de 10,00 mm]

▼ mínimo ● media ▲ máximo

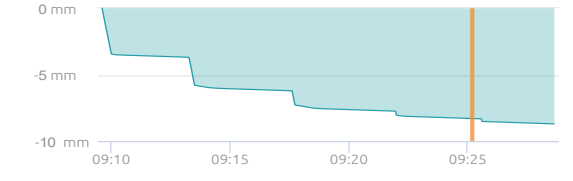
▼ -129,9% ● 88,7% ▲ 96,5%



🕒 25:09 ciclo 3.620.632 Kg 🖨️ 🔍

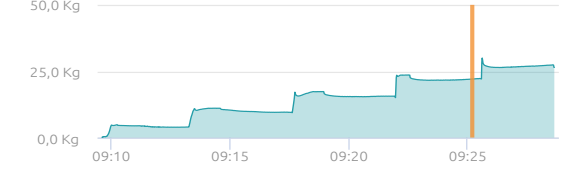
Posición

-8,691 mm




Fuerza

22,07 Kg



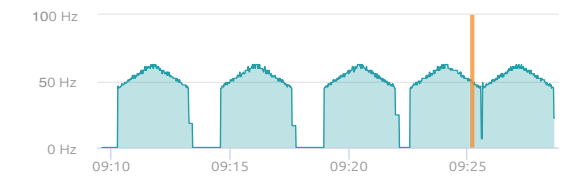
Velocidad

-0,001 mm/s



Frecuencia

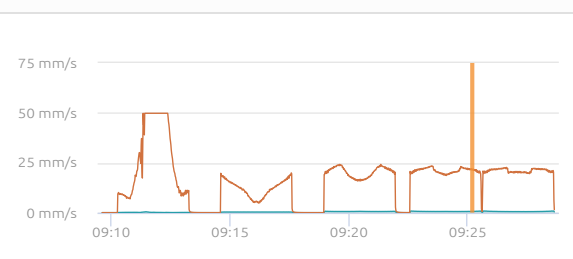
49,23 Hz



Vibración atenuada

97,8 %

Recibida 0,8 mm/s
Emitida 36,6 mm/s



Frecuencia resultante. Vibración atenuada.

● 7,3 Hz ● 97,8 %

▶ 1X 🔍 📹

13:29:14
4 nov. 2020



Ref.
105/PC V

CHARTS

Chart 1

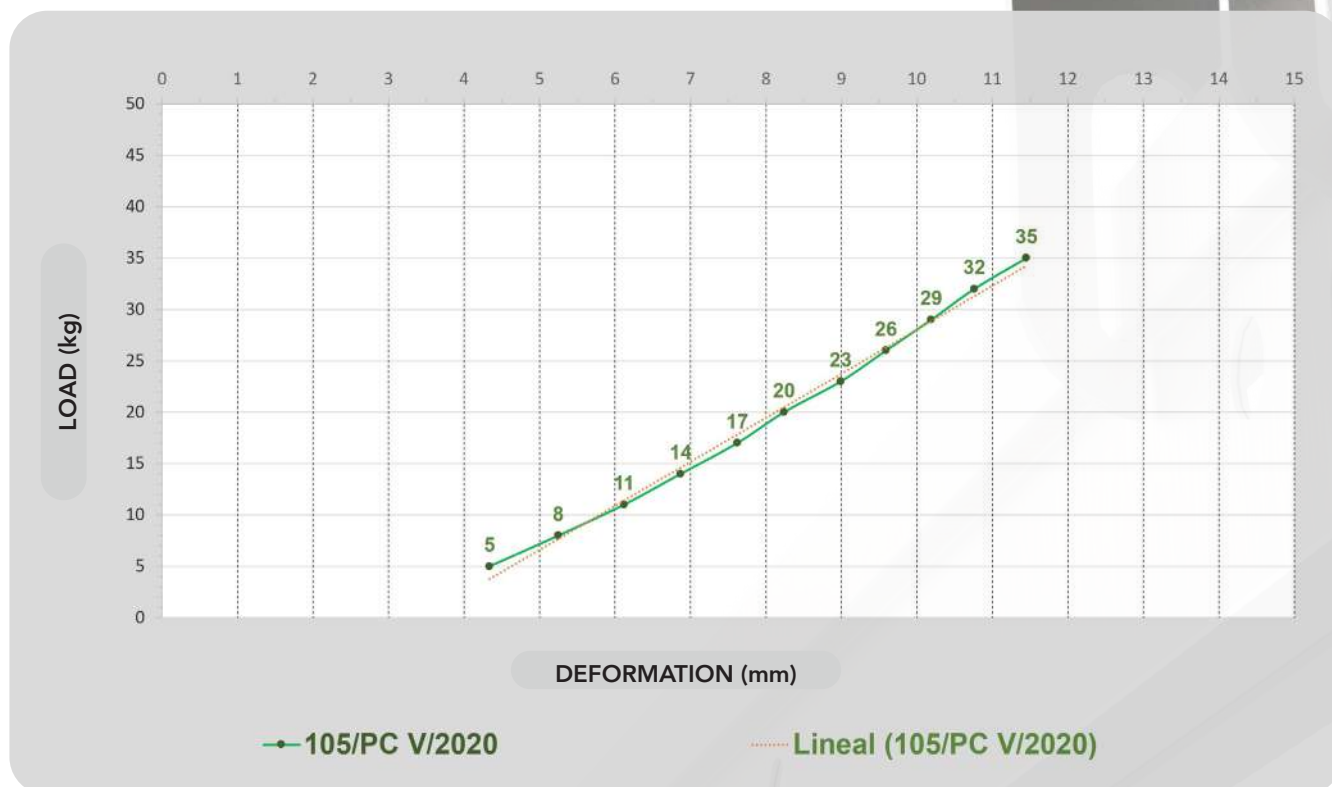


Chart 2

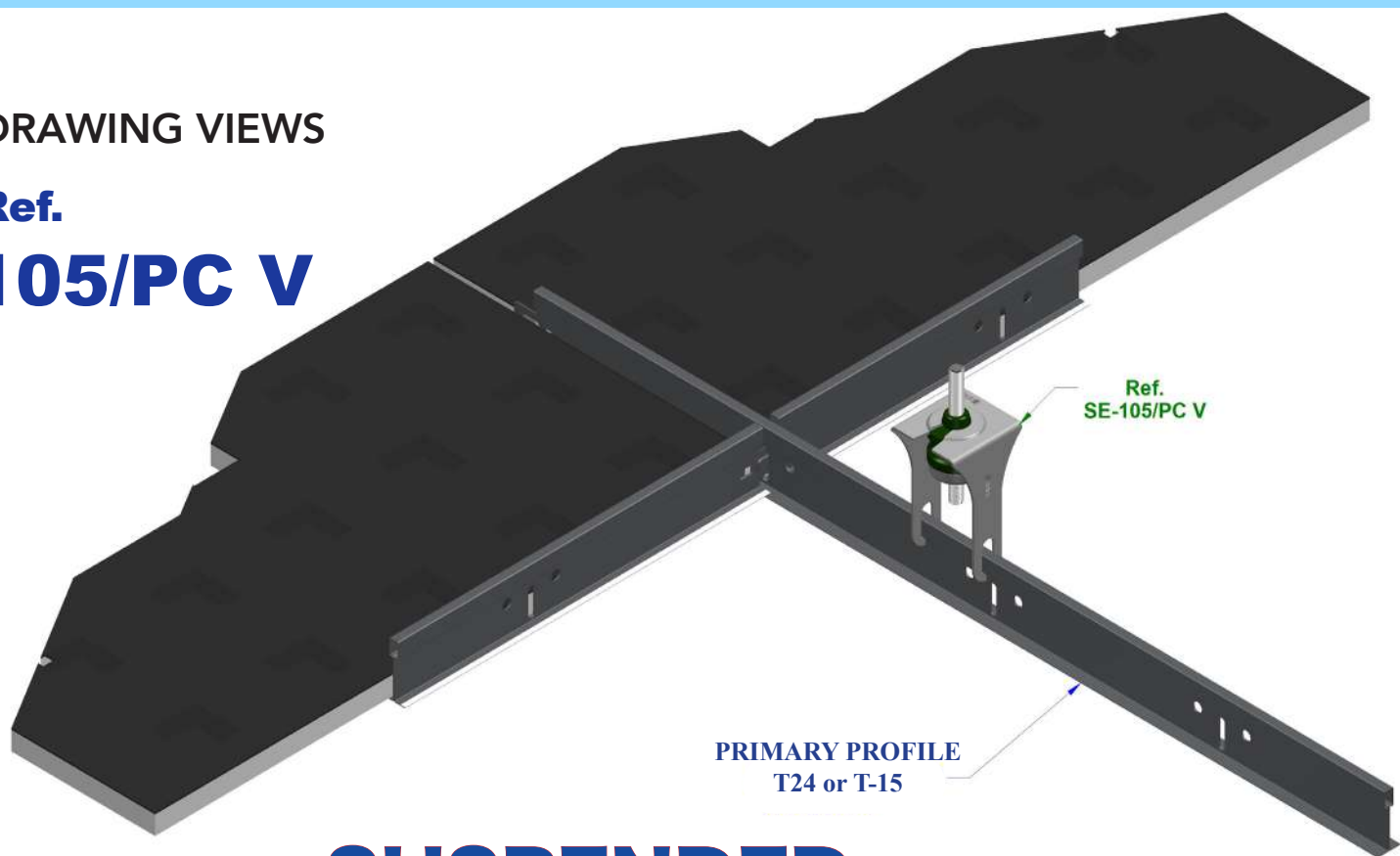


Chart 3

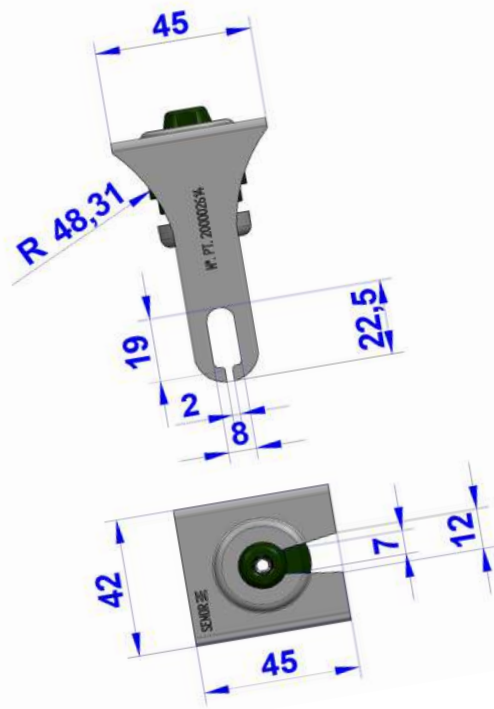
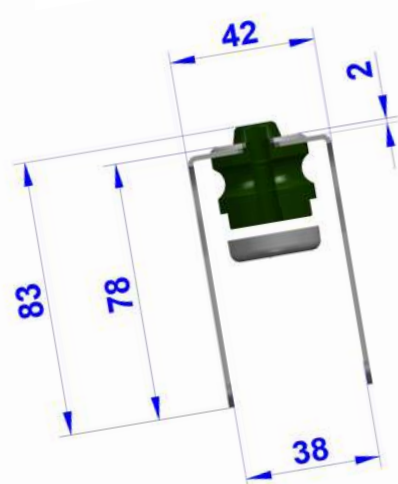
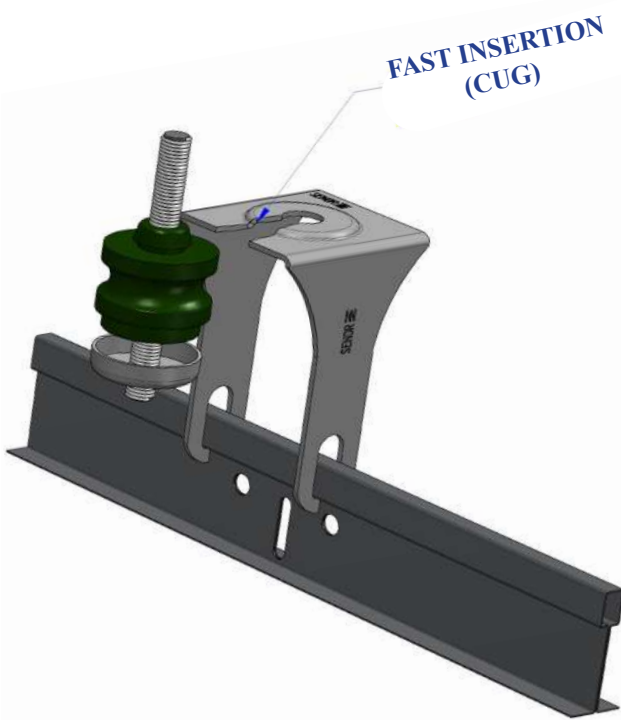


DRAWING VIEWS

Ref.
105/PC V



SUSPENDED Ceiling



Certificate of COMPLIANCE



SEÑOR certifies:

All our **construction** products for suspended acoustic ceilings under slab, including **Mod. 105/PC V**, have an optimal lifespan of **10 years** provided that the installation is carried out under **ordinary environmental conditions** and are not exposed to chemical components that could degrade the product. The **Mod. 105/PC V** strictly complies with **UNE** (Spanish Association for Standardization) **UNE 100-153-88**: air conditioning; vibration insulators: design criteria.

SEÑOR declares under its responsibility that the following components for suspended ceiling in buildings strictly complies with the technical sections of installation mentioned in the technical documentation of the product.



Warning Relevant information

SEÑOR reserves the right to make changes in specifications at any time without prior notice. It is a responsibility of the user to use the latest and updated version of the product data sheets. A copy of which will be available on request. This information and, in particular, relative recommendations for the application and final use of the product, are given in good faith, based on SEÑOR knowledge and experience of its products, provided that they are correctly installed in ordinary circumstances and within its useful life.

PROJECT MANAGER: David Muñoz SEÑOR

DECLARACIÓN DE CONFORMIDAD

(DIRECTIVA 89/106/CEE SOBRE LOS PRODUCTOS DE CONSTRUCCIÓN)

EC DECLARATION OF CONFORMITY

(CONSTRUCTION PRODUCTS DIRECTIVE 89/106/CEE).

SUSENSIONES ELÁSTICAS DEL NORTE, S.L. (**SEÑOR**)

P.I. El Garrotal, Parcela 10, módulo 4 y 5 / Palma del Río (CÓRDOBA) España (SPAIN)

DECLARA BAJO SU RESPONSABILIDAD QUE LOS SIGUIENTES **COMPONENTES DE SUB-ESTRUCTURA** DE TECHO SUSPENDIDO UTILIZADO EN INTERIORES DE EDIFICIOS:
DECLARES UNDER ITS RESPONSIBILITY THAT THE FOLLOWING SUSPENDED CEILING SUBSTRUCTURE COMPONENTS TO BE USED INSIDE BUILDINGS.

USED FOR INTERIOR APPLICATIONS:

MODELO/MODEL: 105/PC V.

MÉTRICA/METRIC: 4 y 6.

REFERENCIAS/REFERENCES:

PERFIL/PROFILE: T-24 /T-15

SE-105/PC V/M4

SE-105/PC V/M6

CUMPLE LOS REQUISITOS DE LA NORMA:

UNE-EN 13964:2006; UNE-EN 13964:2006/

A1:2008

MEET THE REQUIREMENTS OF THE STANDARD

EN 13964:2006; EN 13964:2006/A1:2008

**APLICACIONES:
ACÚSTICOS.**

PARA USO EN LA INSTALACIÓN DE FALSOS TECHOS

APPLICATIONS:

TO BE USED IN THE INSTALLATION OF ACOUSTIC CEILINGS

FECHA DE EMISIÓN: 09/05/2017

GERENTE/MANAGING DIRECTOR

ISSUED ON: 09/05/2017

Ms Carmen López Iglesias

RE: DCE 002-ver 1