

# F/RAPID GM 47 V DS2

## ACOUSTIC RUBBER HANGER WITH SAFETY DEVICE (DS)

The **F/RAPID GM 47 V DS2** is a high quality acoustic **RUBBER** hanger. It is devised to provide quality and performance to any given acoustic system. It is used in the installation of acoustic ceiling with galvanized steel channels such as **TC47, F530, MAESTRA 47/17** or similars.

Its design allows this acoustic hanger to be turned into a safety connector. Not using the rubber part, it act as a connector between channels.

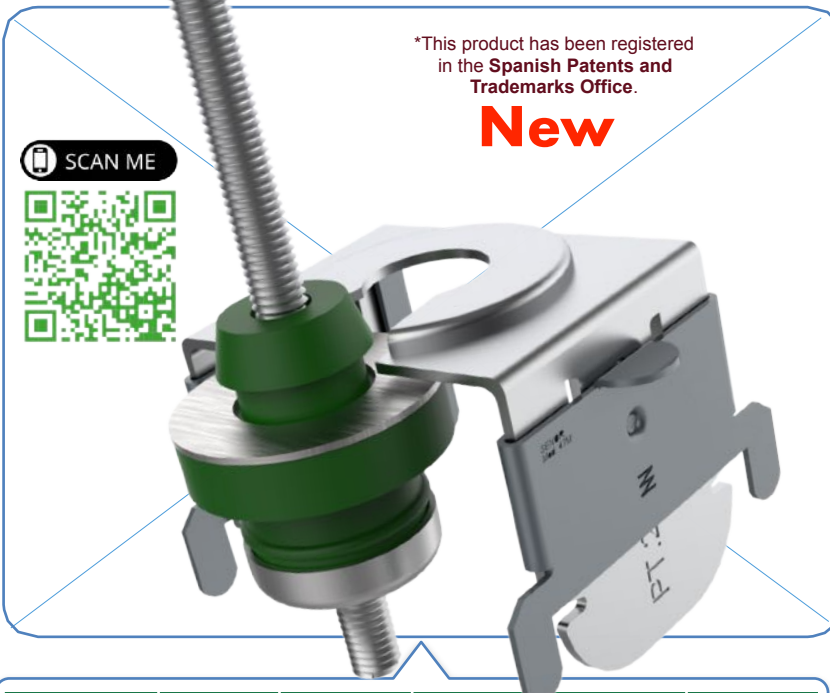
### MAIN FEATURES:

●The polymer (rubber): this polymer is known as **KRAIBURG-TPE** and it is tested according to the Spanish standard **UNE-EN ISO 10846-1:2009** (UNE: Spanish Association for Standardization).

√Resonance frequency: **7-15 Hz**.

●Galvanized steel framework with an opening to facilitate the leveling. This design provides the opportunity to fix the framework on the ceiling channels firstly and then put the rubber part. In this way, the leveling is faster and easier.

●Double locking device (**DS**) providing safety to the system.



REF	COLOUR	METRIC MIN-MAX	CHANNEL (mm)	LOAD (kg) MIN-MAX	PACKING
SE-F/RAPID/GM 47 V DS2		6 - 8	45 - 48	03 - 25	50



# Ref. F/RAPID GM 47 V DS2

## Laboratory test UNE-EN ISO 10846-1:2009

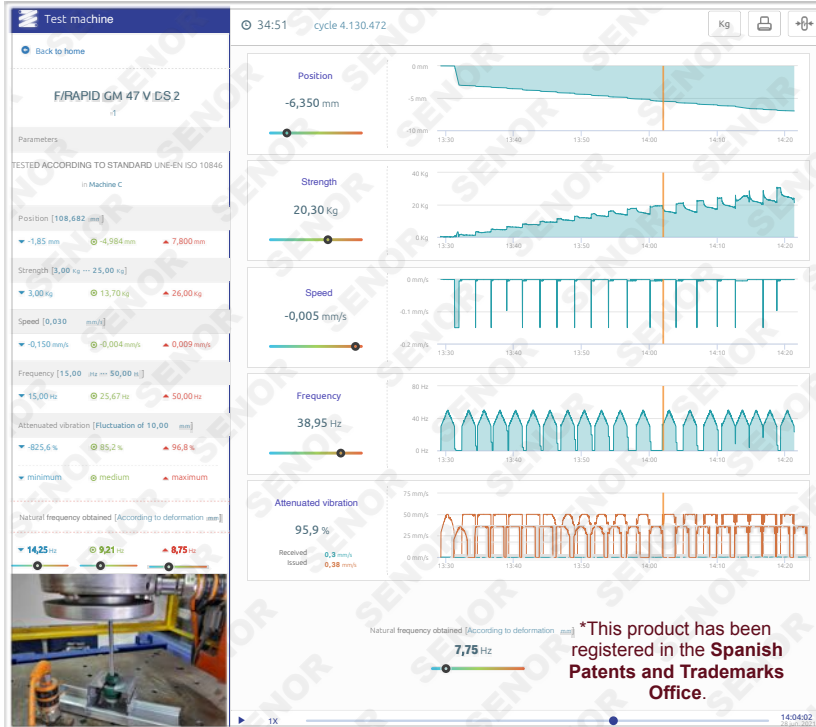


Chart 1

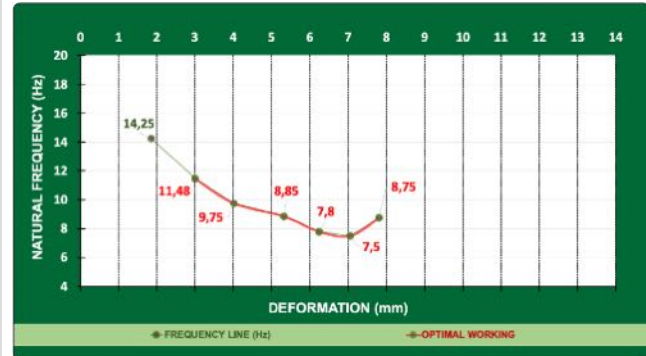
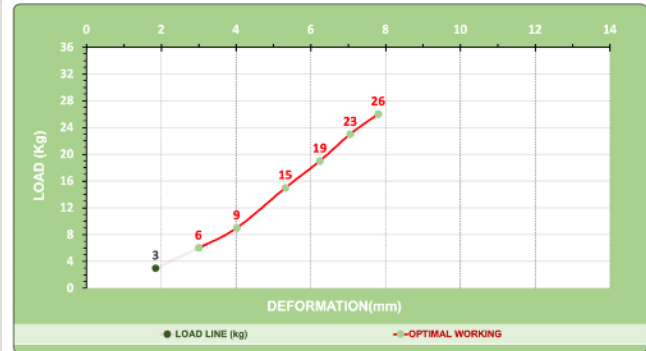


Chart 2

### Results

LOAD (kg)	DEFORMATION (mm)	RESONANCE FREQUENCY (Hz)	SWEEP (Hz)		SOUNDPROOFING LEVEL (%)	
			25	50	25	50
3	1,85	14,25	25	50	51,87	91,16
9	4,02	9,75	25	50	82,06	96,05
15	5,32	8,85	25	50	85,67	96,77
19	6,24	7,80	25	50	89,22	97,51
23	7,05	7,50	25	50	90,11	97,70
26	7,80	8,75	25	50	86,04	96,84

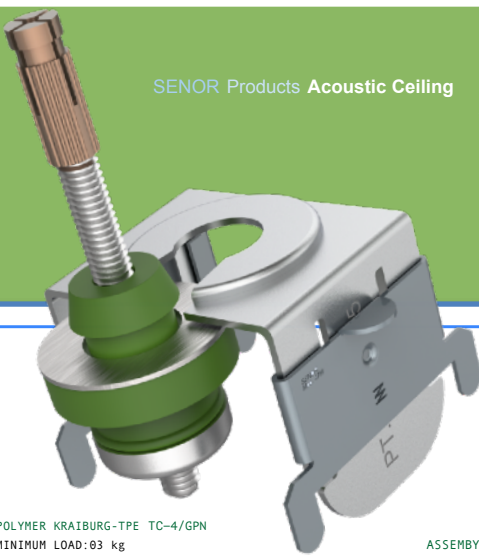
## LABORATORY Test UNE-EN ISO 10846-1:2009



Chart 3



# Ref. F/RAPID GM 47 V DS2

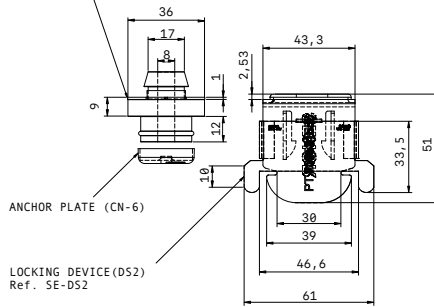


**FRONT VIEW**

POLYMER KRAIBURG-TPE TC-4/GPN  
 MINIMUM LOAD: 03 kg  
 MAXIMUM LOAD: 25 kg

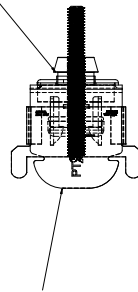
ASSEMBY PROCESS: 2 products in 1  
 By adding the rubber to the metal framework (the connector) we get the acoustic hanger.

Ref. SE-F/RAPID GM 47 V DS2



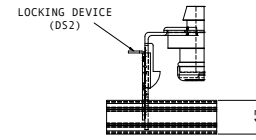
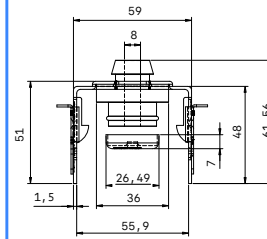
ANCHOR PLATE (CN-6)

LOCKING DEVICE (DS2)  
 Ref. SE-DS2

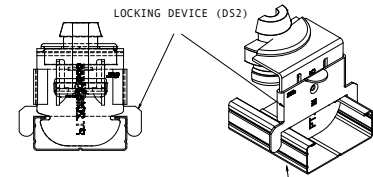


CONNECTOR (SEÑOR)  
 Ref. SE-F/RAPID 47 DS2

**SIDE VIEW**

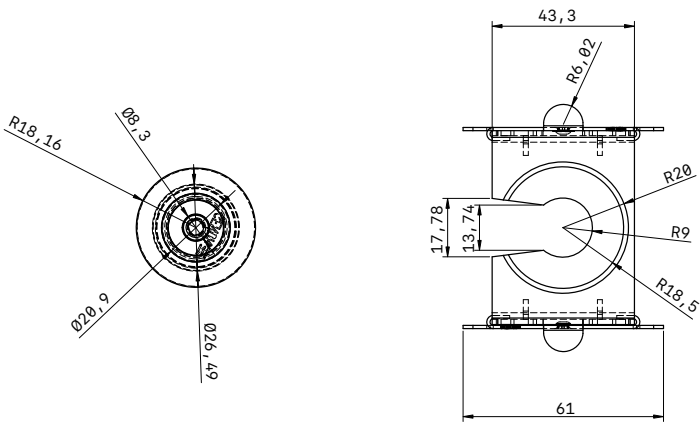


**SAFETY SYSTEM**

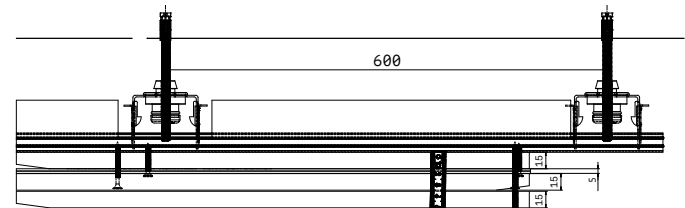


CEILING CHANNEL  
 F530, TC-47, MAESTRA 47/17 or similar

**PLAN VIEW**



**DETAIL**

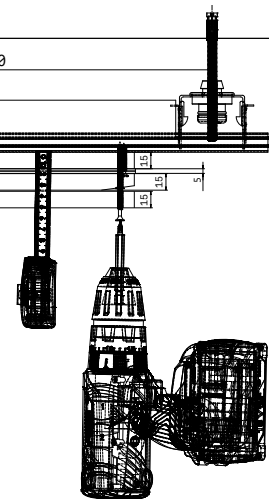


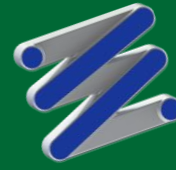
SCALE 1:1

**TYPE**  
 Versatile rubber hanger

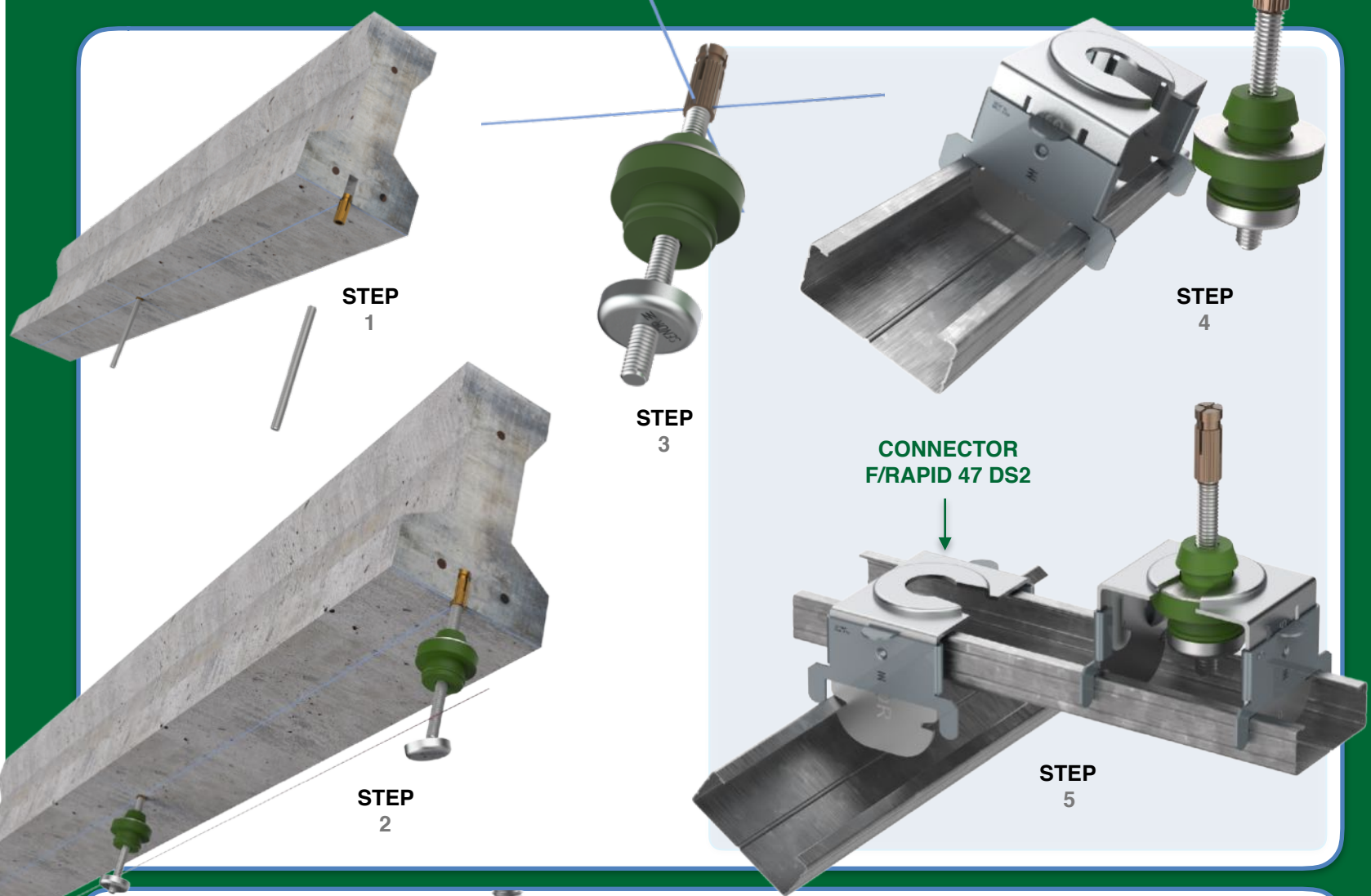
**New**

**25**





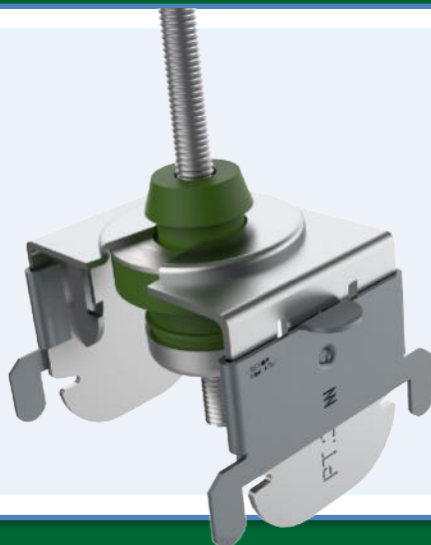
# Ref. F/RAPID GM 47 V DS2



TYPE  
Versatile rubber hanger  
**New**

25

SCAN ME



SENOR certifies

## F/RAPID GM/DS Model

SENOR reserves the right to make changes in specifications at any time without prior notice. It is a responsibility of the user to use the latest and updated version of the product data sheet.

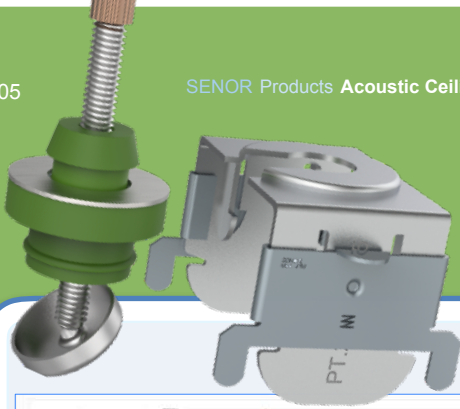
A copy of which will be available on request.

The Spanish Standard: UNE-EN 13964:2016/A1  
Use: Installation of acoustic suspended ceiling

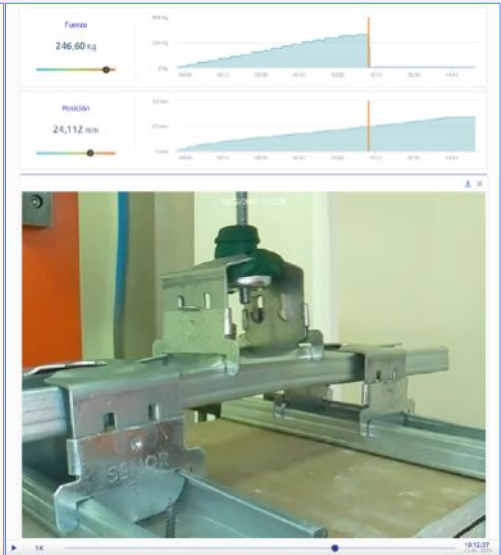




# Ref. F/RAPID GM 47 V DS2



## DEFORMATION TEST



**Date:**  
SENOR 23 December 2020

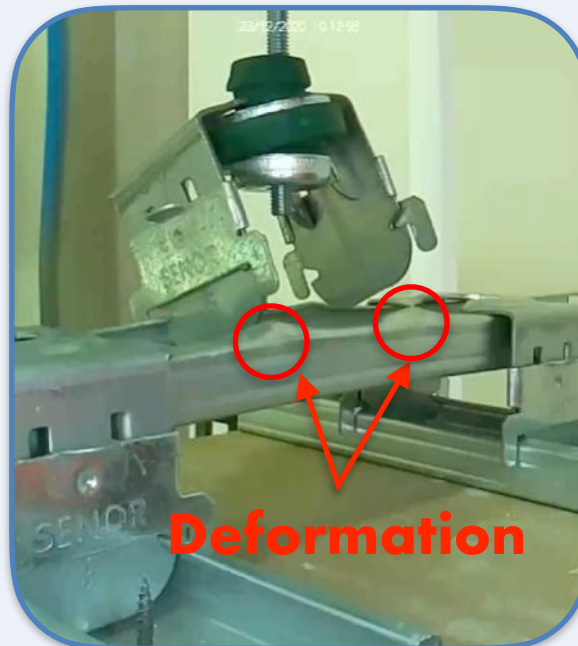
### Failure mode

This hanger exceeds the elastic limit of ceiling channel by reaching **267,10 kg**. In this case, load line goes down reaching **2,80 kg**.

The burst test is concluded.

### Conclusion

This hanger is designed to bear loads between **3 -25 kg** (maximum load). It strictly complies with standard **UNE-EN 13964:2016/A1**.  
Suspended ceiling. Requirements and test methods. (UNE: Spanish Association for Standardization).



**TYPE**  
Versatile **rubber** hanger

**New**

25

SCAN ME

