

WALL LINING SYSTEM

SENOR 

ACOUSTIC
Wall lining

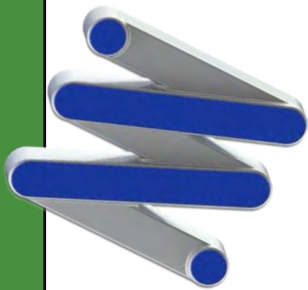
FTD-OMEGA MODEL

The **THINNEST** wall mount for narrow spaces.

The **NEW** acoustic clip **FTD/OMEGA** is a unique insulator that stands out for its simplicity. It allows isolating and separating wall lining systems using profiles that act as a structure to fix laminated plasterboards, such as OMEGA type or similar.

New
Patented

P.T. 16/59681 (FR)



WALL LINING SYSTEM

SENOR 

FTD-OMEGA MODEL

ACOUSTIC
Wall lining

The **FTD/OMEGA** is capable by itself of reducing space needed to a minimum, with incredible **ALREADY TESTED** results. It also has the advantage of correcting any surface imperfections that the different facings may present, providing quality and performance to the different finishes.



New
Patented

P.T. 16/59681 (FR)

A different wall mount constantly **EVOLVING** for acoustic wall lining in narrow spaces. **SENOR** has made it possible by applying the latest technologies in the vibro-mechanical engineering.

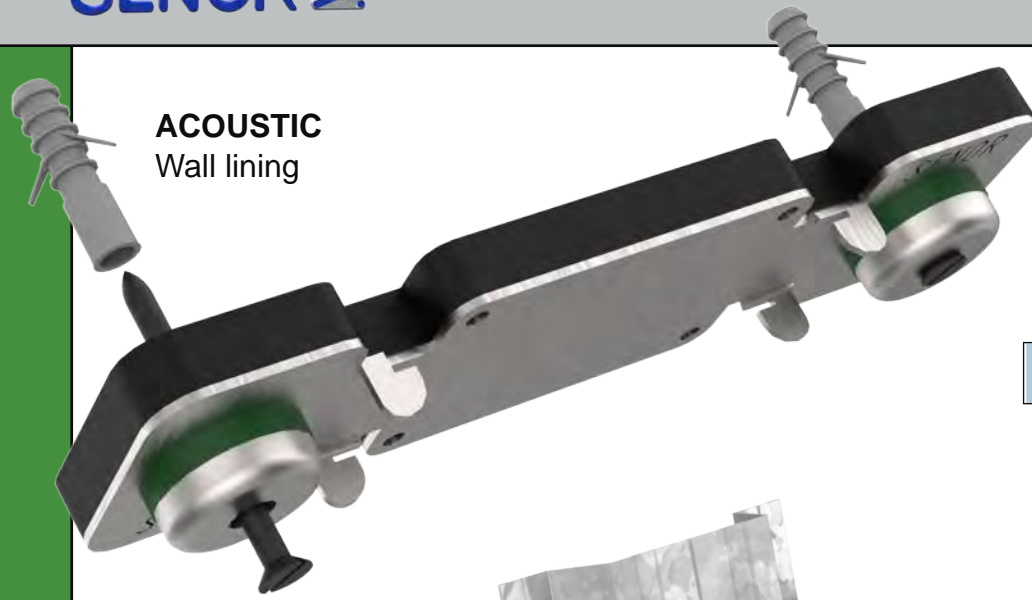
The **FTD/OMEGA** has double wall fixing, consisting of a double acoustic core manufactured using a renewed **polymer**, providing higher performance .

The **TC4/GPN** polymer presents a higher damping factor as well as a high degree of vibration insulation in the range of low, medium and high **frequencies (Hz)**. It also provides improvements in its internal mechanical properties and an acoustic performance increase of **>10%**.

WALL LINING SYSTEM

SENOR 

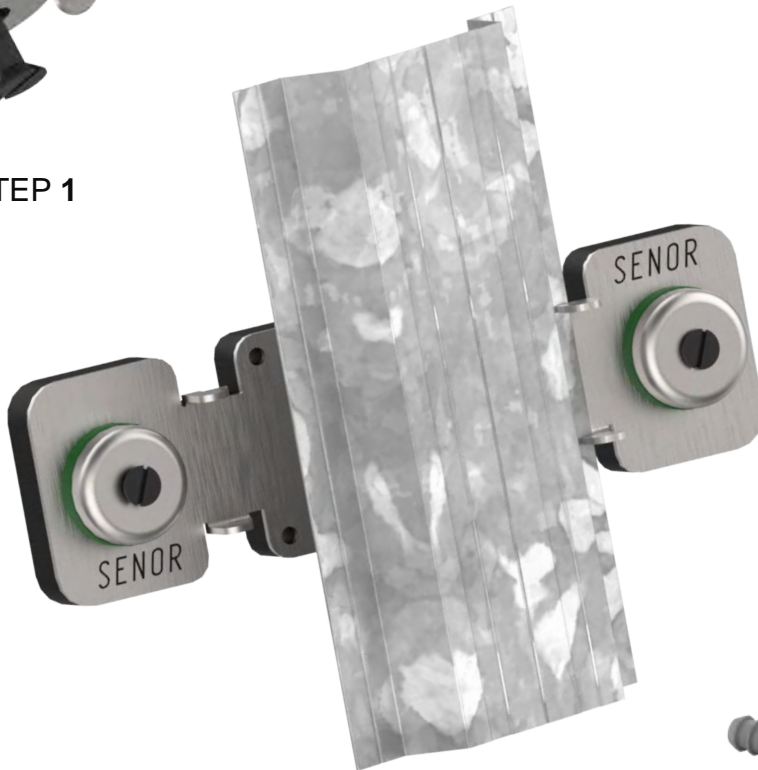
ACOUSTIC
Wall lining



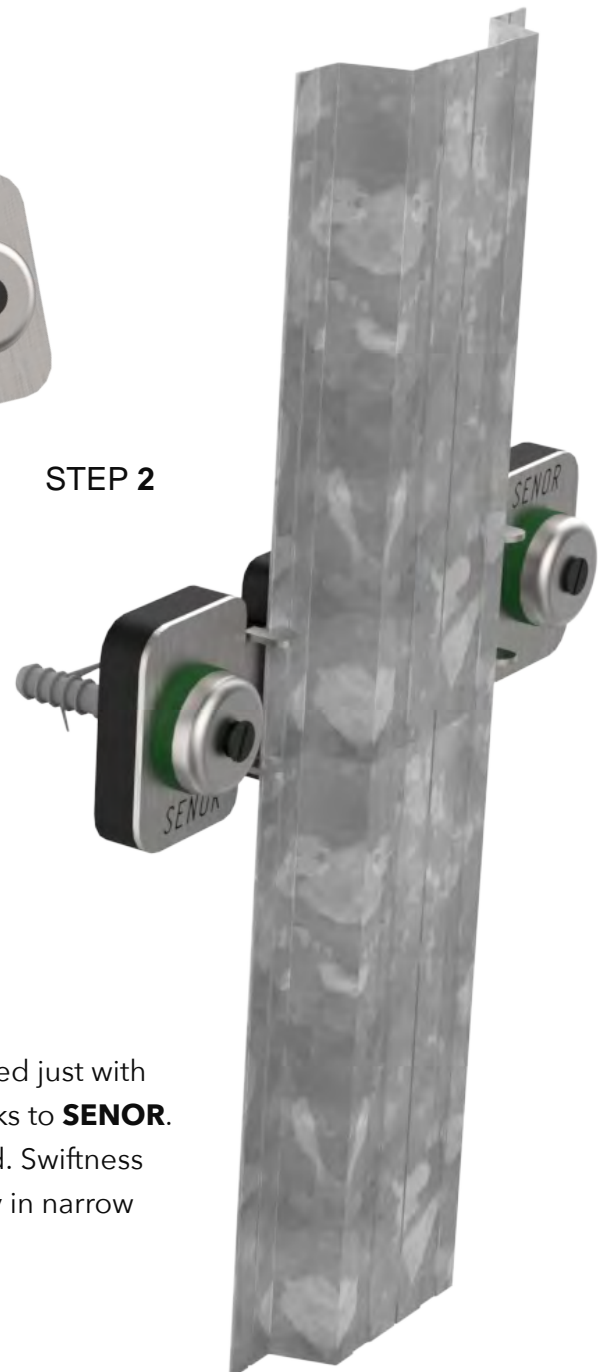
New
Patented

P.T. 16/59681 (FR)

STEP 1

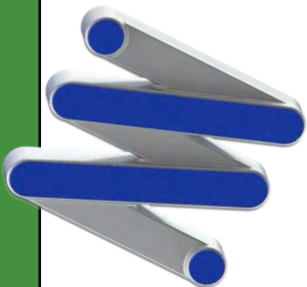


STEP 2



Step 1: We fix the **FTD/OMEGA** wall mount to the wall using screws and pegs (please consult your usual hardware supplier which are the most recommended ones according to the technical specifications of the wall).

Step 2: It is a simple piece. The profile is fixed just with this clip. Screws are a thing of the past thanks to **SENOR**. With the **FTD OMEGA** innovation is assured. Swift and security are already possible, especially in narrow spaces.

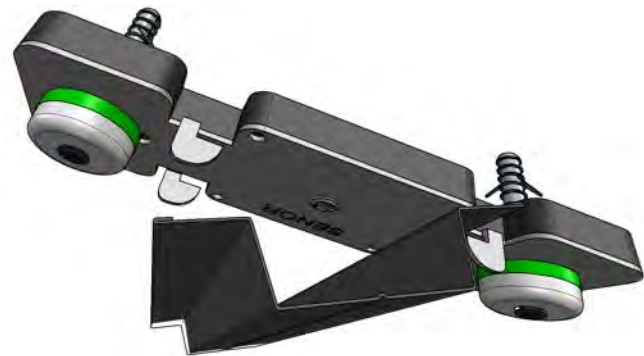
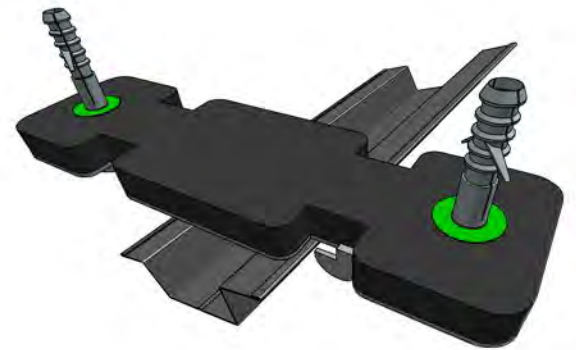
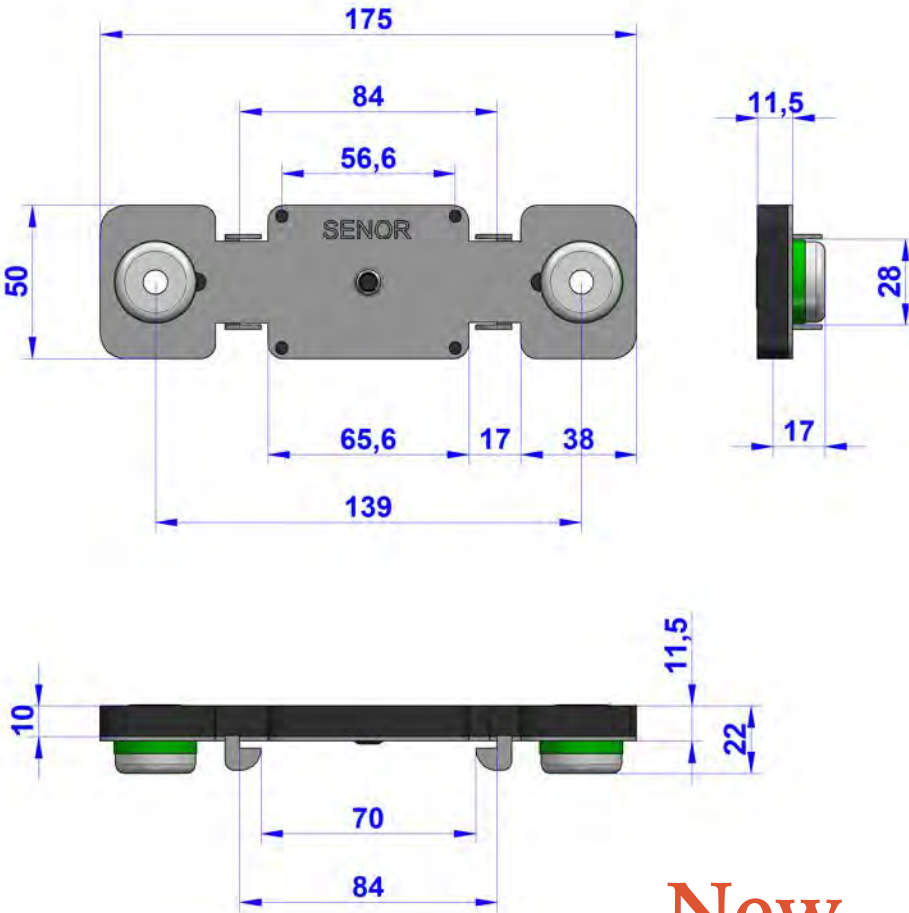


WALL LINING SYSTEM

SENOR 

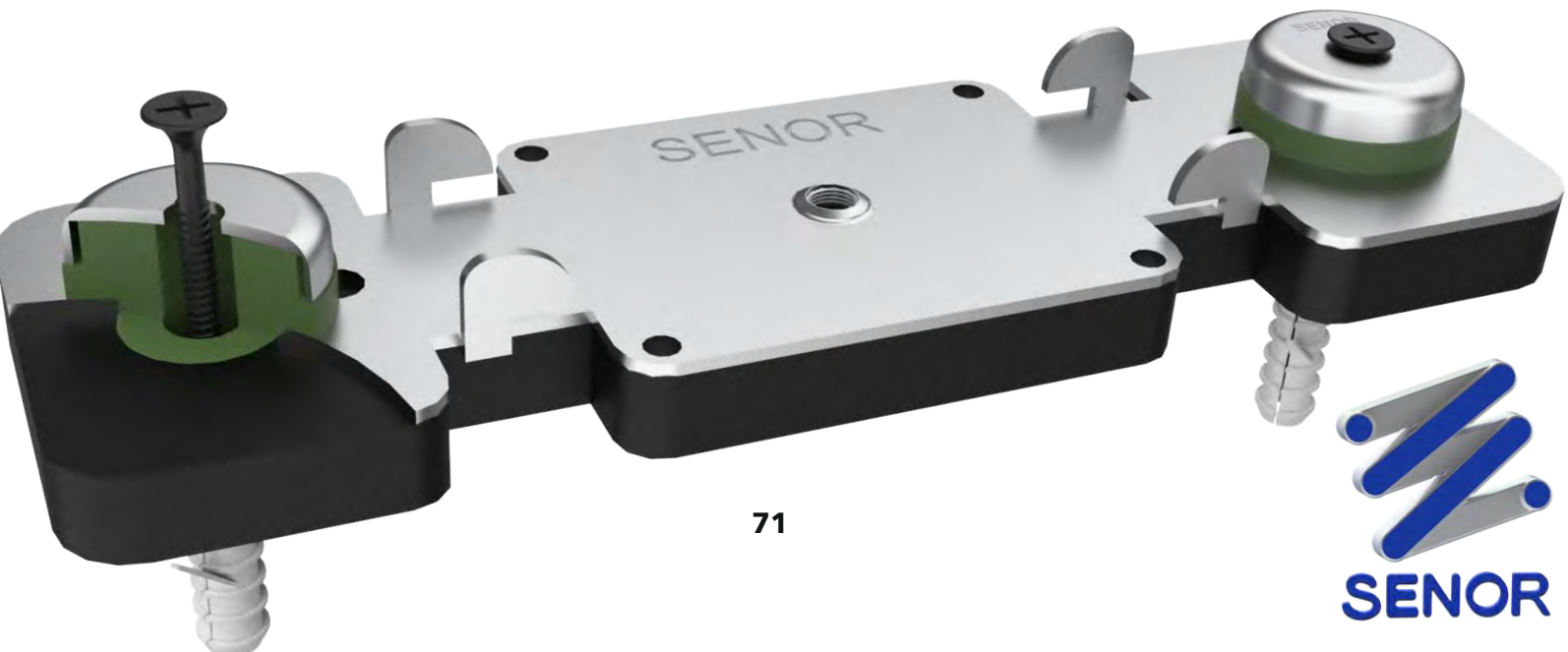
ACOUSTIC
Wall lining

DRAWING Views



New
Patented

P.T. 16/59681 (FR)

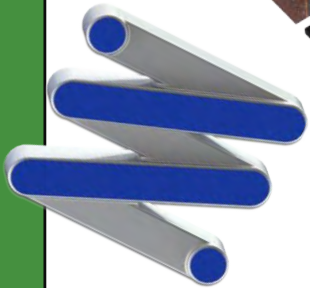


WALL LINING SYSTEM

SENOR 



STEP 1

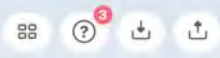


STEP 2



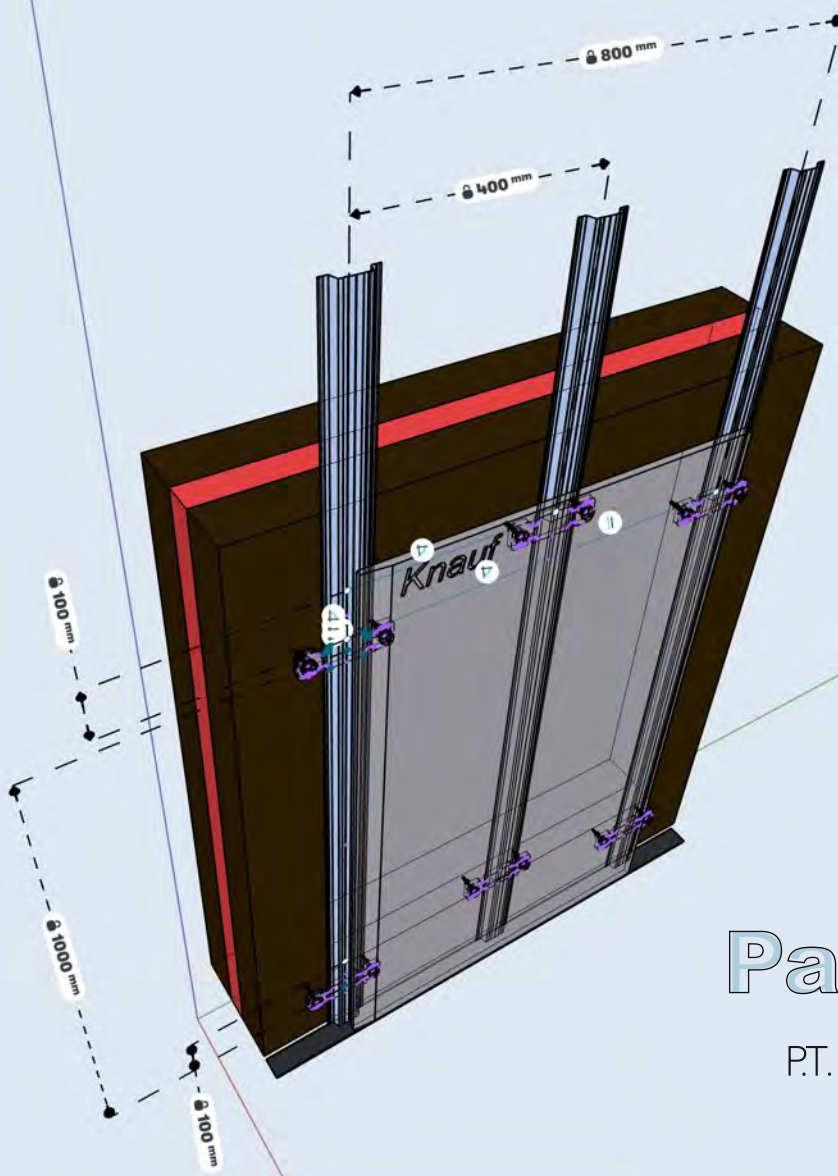
WALL LINING SYSTEM

SENOR 



ACOUSTIC
Wall lining

- Boceto
- Agregar
- Transformar
- Herramientas
- Eliminación



New
Patented

P.T. 16/59681 (FR)



- Boceto
- Agregar
- Transformar
- Herramientas
- Eliminación

